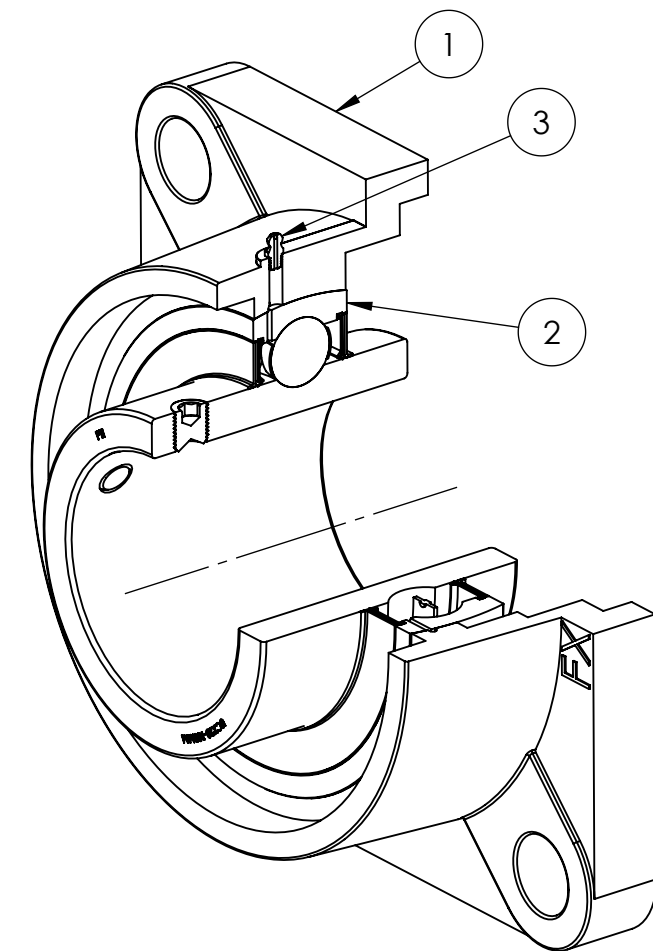
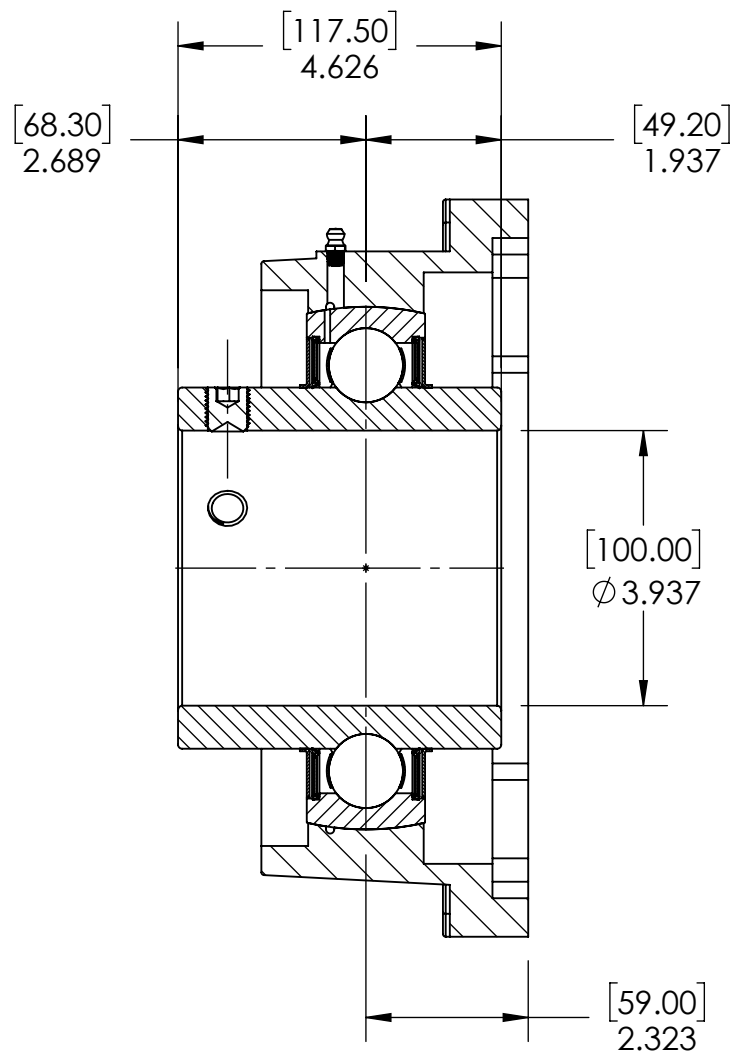
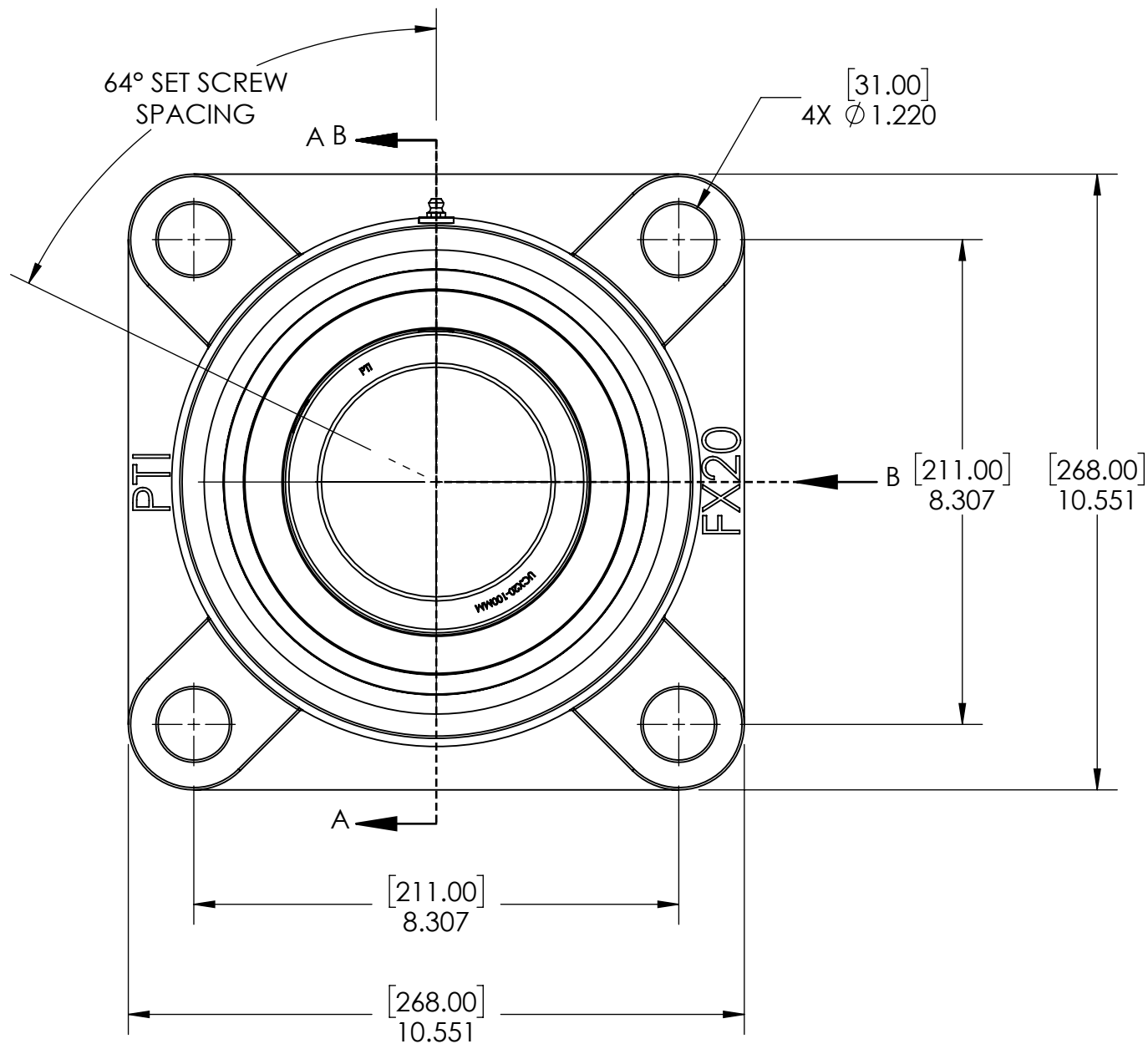
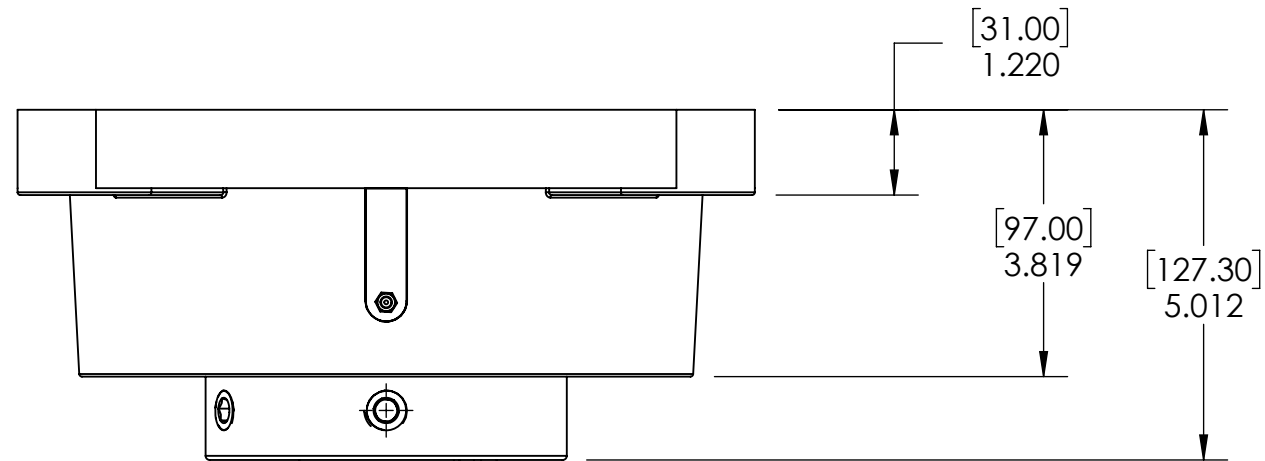


9 8 7 6 5 4 3 2 1

G F E D C B A

A B C D E F G

9 8 7 6 5 4 3 2 1



| ITEM NO. | PART NUMBER | MATERIAL | COATING | QTY. |
|----------|-------------|-----------------|-------------|------|
| 3 | M6 ZERK | STAINLESS STEEL | N/A | 1 |
| 2 | UCX20-100MM | BEARING STEEL | N/A | 1 |
| 1 | FX20 | STAINLESS STEEL | POWDER COAT | 1 |

| SPECIFICATIONS | | WEIGHT | |
|------------------------------|---------------------------------|------------------------|-----------------|
| UNITS: | IN (mm) | | 40.03 LBS |
| LOAD RATINGS | C: 30,000 LBS Co: 23,500 LBS | MATERIAL | SEE BOM |
| SPEED RATING | 1700 RPM | COATING | SEE BOM |
| GREASE TYPE | NLGI #2 | DRAWN | SEC 01/03/2025 |
| GREASE FILL | 40% | CHECKED | KODS 01/06/2025 |
| OPERATING TEMP | 10°F - 200°F | APPROVED | |
| SEAL TYPE | B-TYPE | THIRD ANGLE PROJECTION | |
| INTERNAL CLEARANCE | C3 | | |
| TORQUE SETTING ON SET SCREWS | | | |



PROPRIETARY AND CONFIDENTIAL
THE INFORMATION CONTAINED IN THIS DRAWING IS THE SOLE PROPERTY OF SOLVE IMG. ANY REPRODUCTION IN PART OR AS A WHOLE WITHOUT THE WRITTEN PERMISSION OF SOLVE IMG IS PROHIBITED.

| DATE | BY | REVISION DESCRIPTION | REV |
|--------------------------------|----|----------------------|-----------|
| | | | |
| ITEM DESCRIPTION: UCFX20-100MM | | | SCALE 1:4 |
| | | | REV - |