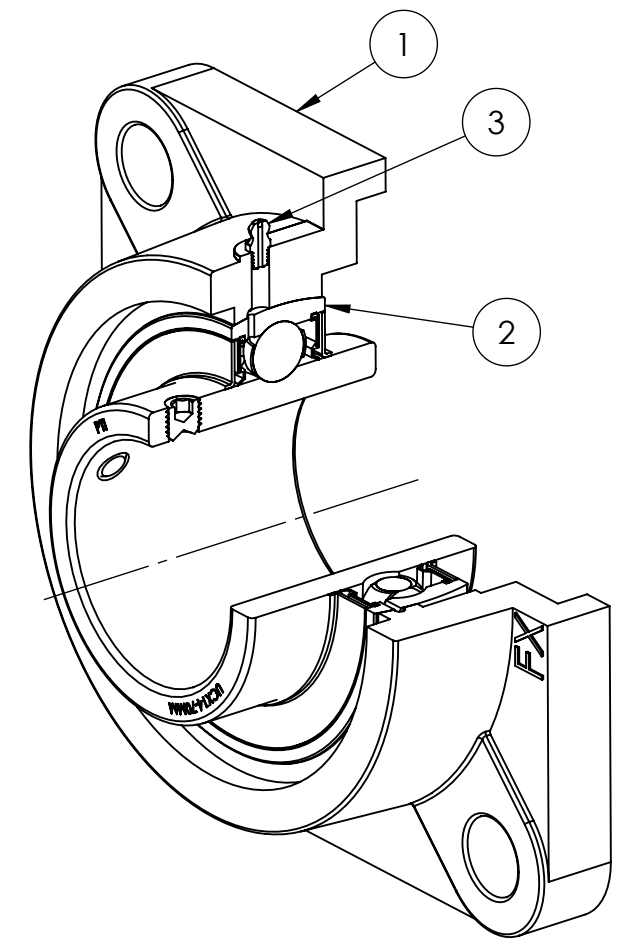
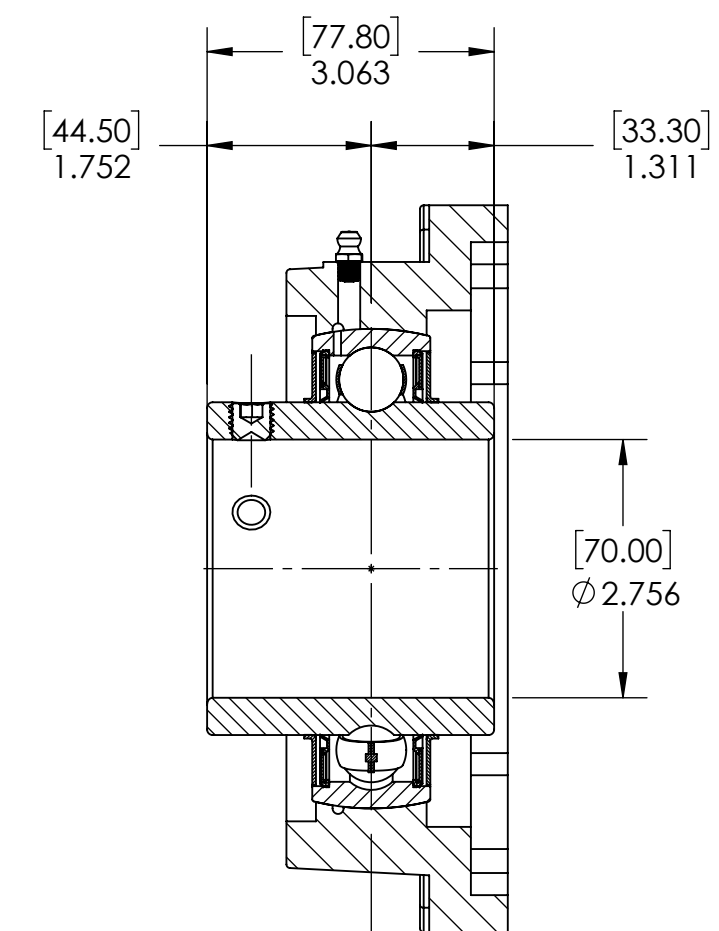
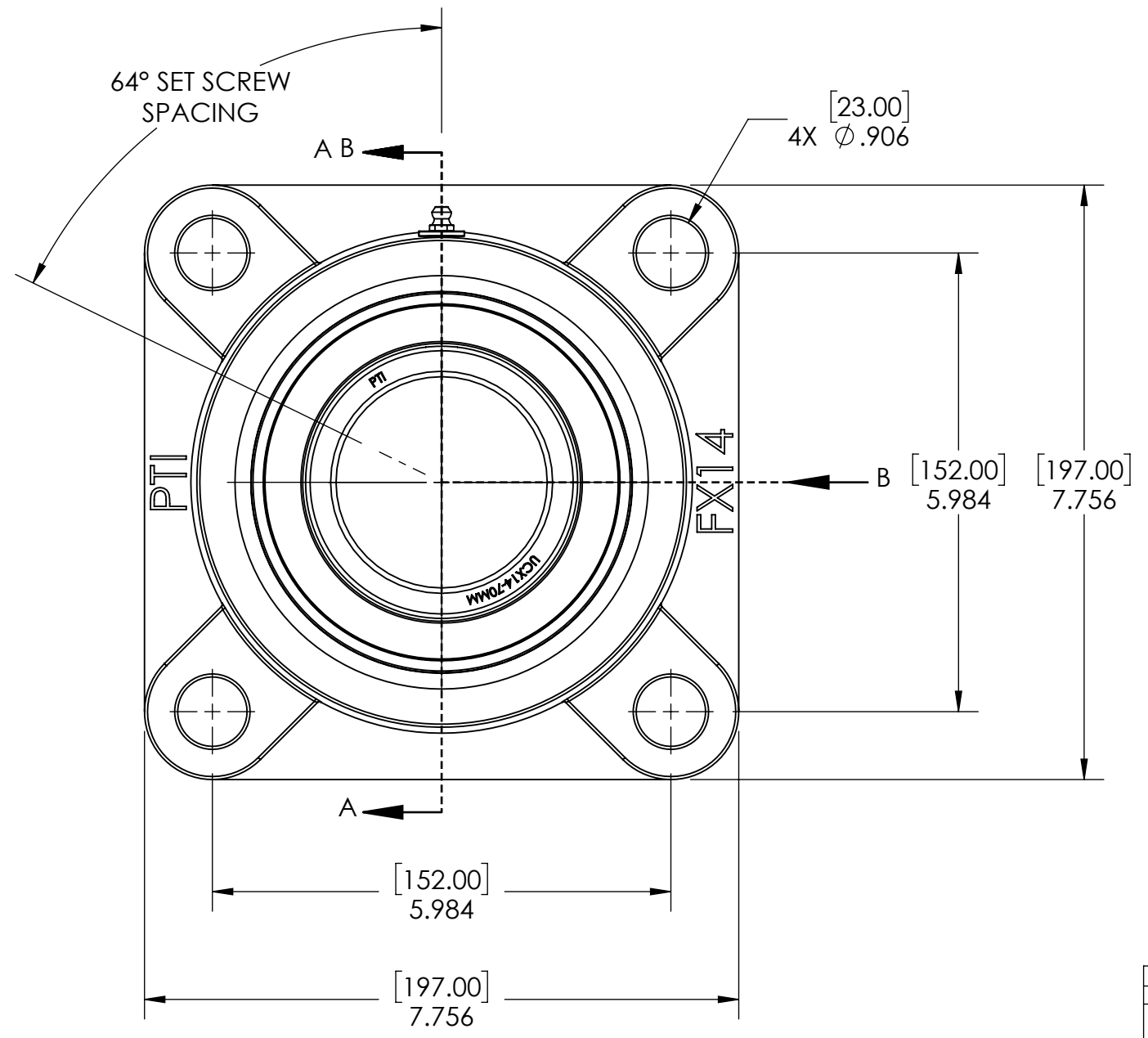
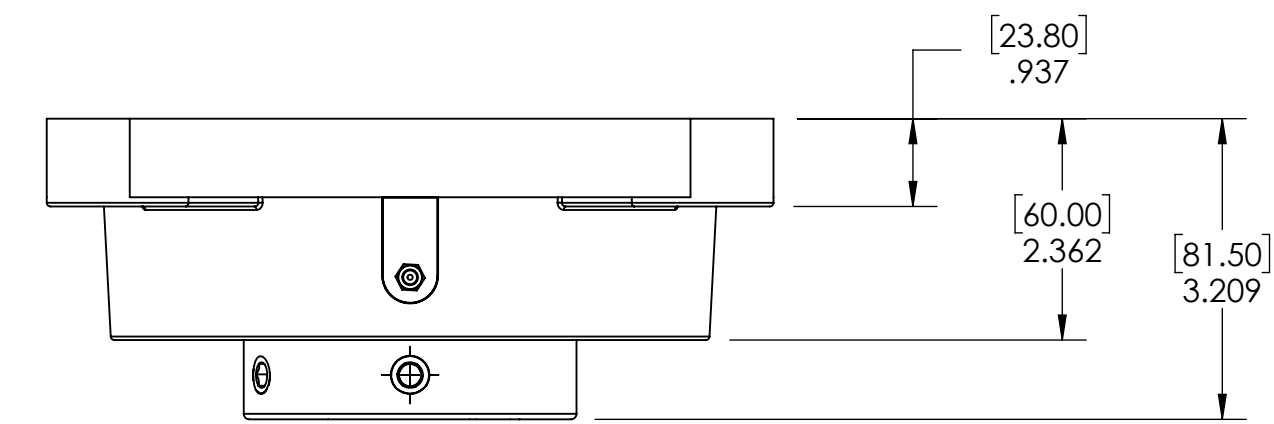


9 8 7 6 5 4 3 2 1

G F E D C B A

A B C D E F G

9 8 7 6 5 4 3 2 1



ITEM NO.	PART NUMBER	MATERIAL	COATING	QTY.
3	M6 ZERK	STAINLESS STEEL	N/A	1
2	UCX14-70MM	BEARING STEEL	N/A	1
1	FX14	STAINLESS STEEL	POWDER COAT	1

SPECIFICATIONS		SOLVE INDUSTRIAL MOTION GROUP		WEIGHT	
UNITS:	IN (mm)	SIZE	B	WEIGHT	15.51 LBS
LOAD RATINGS	C: 14,900 LBS Co: 10,800 LBS	DWG. NO.		MATERIAL	SEE BOM
SPEED RATING	2300 RPM			COATING	SEE BOM
GREASE TYPE	NLGI #2			DRAWN	SEC 01/03/2025
GREASE FILL	40%			CHECKED	KODS 01/06/2025
OPERATING TEMP	10°F - 200°F			APPROVED	
SEAL TYPE	B-TYPE			THIRD ANGLE PROJECTION	
INTERNAL CLEARANCE	C3				
TORQUE SETTING ON SET SCREWS					

DATE	BY	REVISION DESCRIPTION	REV
ITEM DESCRIPTION:			SCALE
UCFX14-70MM			1:6
			REV
			-

PROPRIETARY AND CONFIDENTIAL
THE INFORMATION CONTAINED IN THIS DRAWING IS THE SOLE PROPERTY OF SOLVE I.M.G. ANY REPRODUCTION IN PART OR AS A WHOLE WITHOUT THE WRITTEN PERMISSION OF SOLVE I.M.G. IS PROHIBITED.