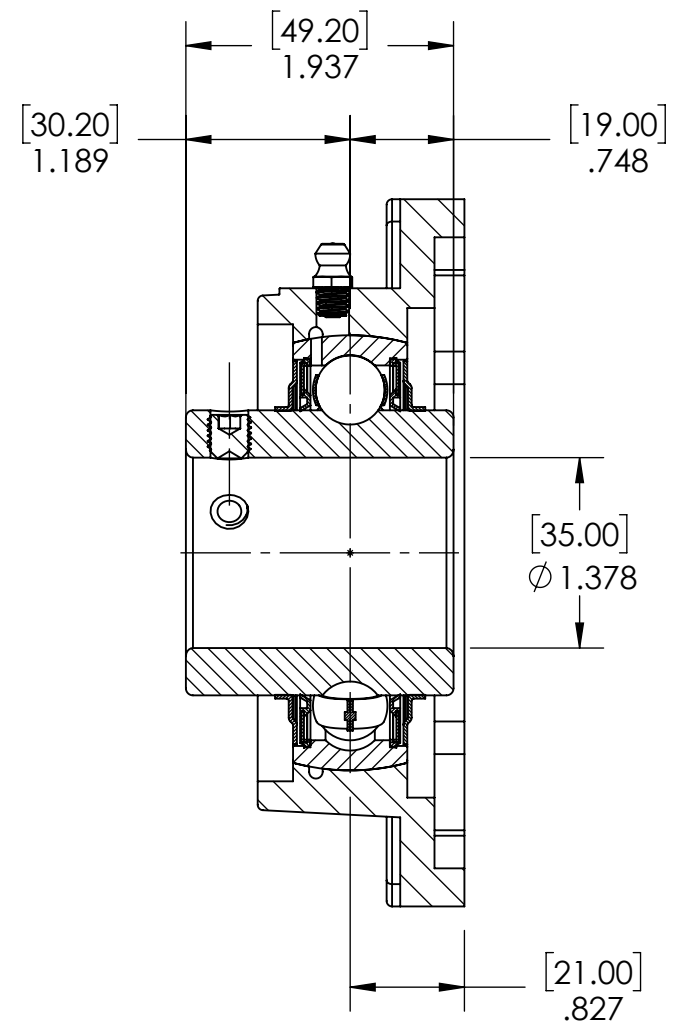
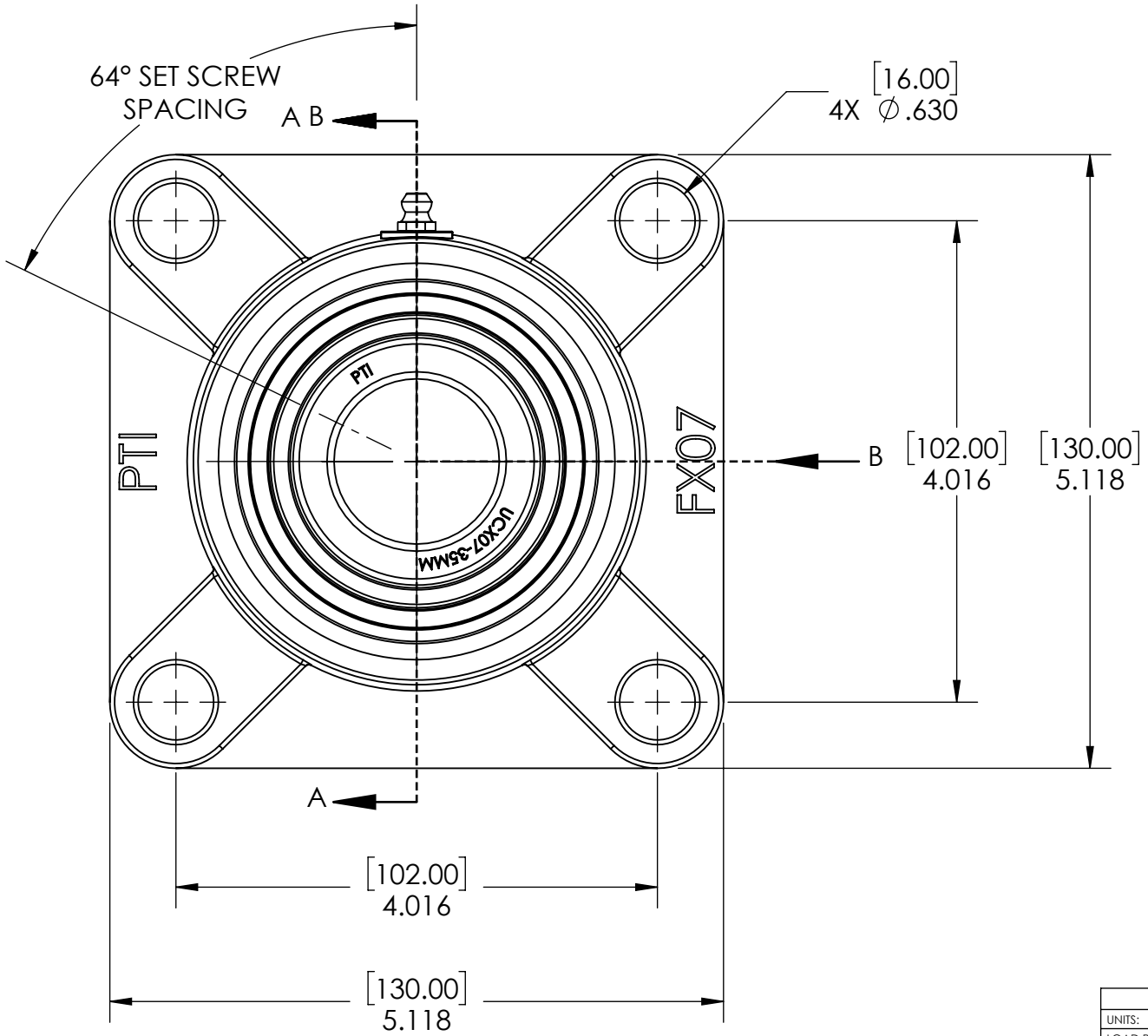
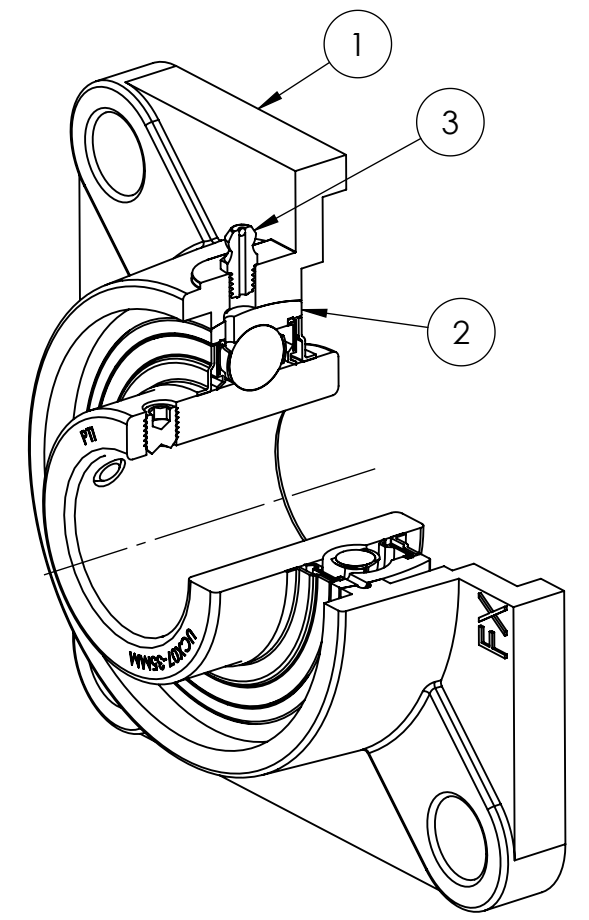
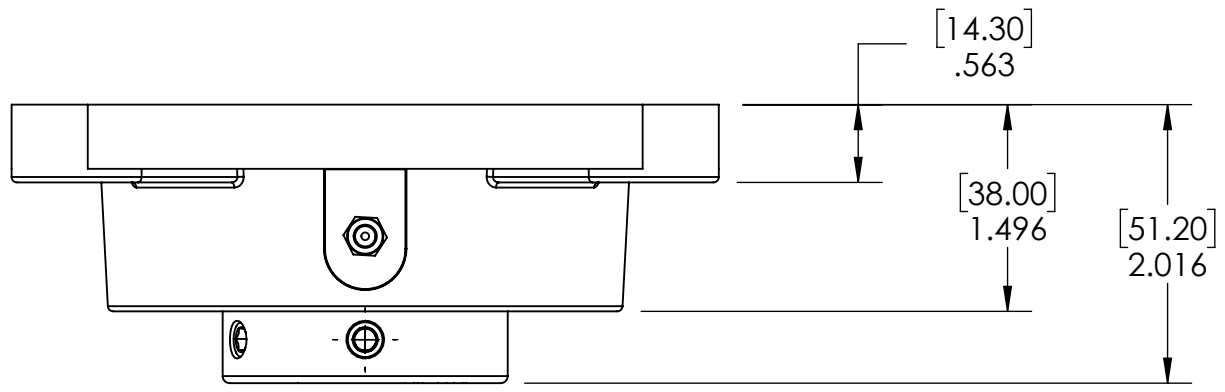


9 8 7 6 5 4 3 2 1

G F E D C B A



SECTION VIEW A-A

3	M6 ZERK	STAINLESS STEEL	N/A	1
2	UCX07-35MM	BEARING STEEL	N/A	1
1	FX07	STAINLESS STEEL	POWDER COAT	1
ITEM NO.	PART NUMBER	MATERIAL	COATING	QTY.

SPECIFICATIONS		SOLVE		WEIGHT	
UNITS:	IN (mm)	INDUSTRIAL MOTION GROUP		3.89 LBS	
LOAD RATINGS	C: 6.575 LBS Co: 4.010 LBS			SEE BOM	
SPEED RATING	4000 RPM	SIZE	B	DRAWN	SEC 01/03/2025
GREASE TYPE	NLGI #2	PTI		CHECKED	KODS 01/06/2025
GREASE FILL	40%			APPROVED	
OPERATING TEMP	10°F - 200°F	DWG. NO.		THIRD ANGLE PROJECTION	
SEAL TYPE	B-TYPE	PROPRIETARY AND CONFIDENTIAL		DATE	
INTERNAL CLEARANCE	C3			BY	
TORQUE SETTING ON SET SCREWS				REVISION DESCRIPTION	

ITEM DESCRIPTION:		UCFX07-35MM		REV	
				SCALE	1:9
				REV	-

9 8 7 6 5 4 3 2 1

A B C D E F G