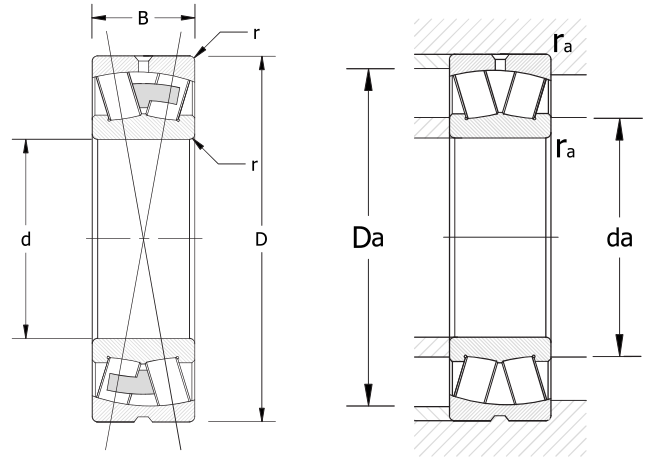


# Spherical Roller Bearings

## 21300 Narrow Series



- 1 piece CAM brass cage
- W33 oil hole & groove in OD
- Available with a tapered bore for adapter style mounting - suffix "K"



Bearing Designation	Dimensions			r <sub>smin</sub> (In)	Load Ratings (Lbs)		Limiting Speeds (r/min)		Mounting Dimensions (mm)			Weight (Lbs)
	d	D	B		Dynamic (Cr)	Static (Cor)	Grease	Oil	da min	Da max	ra max	
21304 CAM/C3W33	20	52	15	0.04	7126	7216	6000	7500	27	45	1.0	0.385
21305 CAM/C3W33	25	62	17	0.04	9599	10229	5300	6700	32	55	1.0	0.609
21306 CAM/C3W33	30	72	19	0.04	12926	14365	4500	6000	37	65	1.0	0.906
21307 CAM/C3W33	35	80	21	0.06	14702	16951	4000	5300	44	71	1.5	1.192
21308 CAM/C3W33	40	90	23	0.06	19963	22256	3600	4500	49	81	1.5	1.650
21309 CAM/C3W33	45	100	25	0.06	23762	26618	3200	4000	54	91	1.5	2.244
21310 CAM/C3W33	50	110	27	0.08	27786	32418	2800	3800	60	100	2.0	2.860
21311 CAM/C3W33	55	120	29	0.08	32889	39364	2600	3400	65	110	2.0	3.630
21312 CAM/C3W33	60	130	31	0.08	37520	39364	2400	3200	72	118	2.1	4.576
21313 CAM/C3W33	65	140	33	0.08	42151	52785	2200	3000	77	128	2.1	5.654
21314 CAM/C3W33	70	150	35	0.08	49098	62048	2000	2800	82	138	2.1	6.842
21315 CAM/C3W33	75	160	37	0.08	55100	69938	1900	2600	87	148	2.1	8.272
21316 CAM/C3W33	80	170	39	0.08	60204	80617	1800	2400	92	158	2.1	9.834
21317 CAM/C3W33	85	180	41	0.12	68994	89160	1700	2200	99	166	2.5	11.506
21318 CAM/C3W33	90	190	43	0.12	74097	97253	1600	2200	104	176	2.5	13.574
21319 CAM/C3W33	95	200	45	0.12	82213	112315	1700	2200	109	186	2.5	15.730
21320 CAM/C3W33	100	215	47	0.12	89159	122724	1600	2000	114	201	2.5	19.382
21321 CAM/C3W33	105	225	49	0.08	94420	129266	1500	1900	119	211	2.5	22.000
21322 CAM/C3W33	110	240	50	0.12	103412	142754	1400	1800	124	226	2.5	25.960