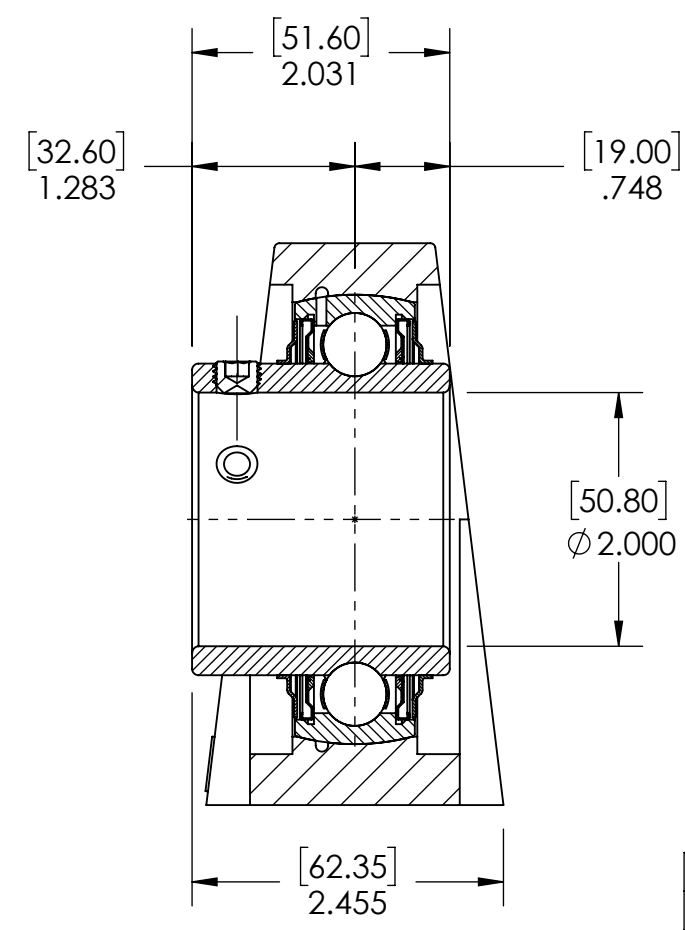
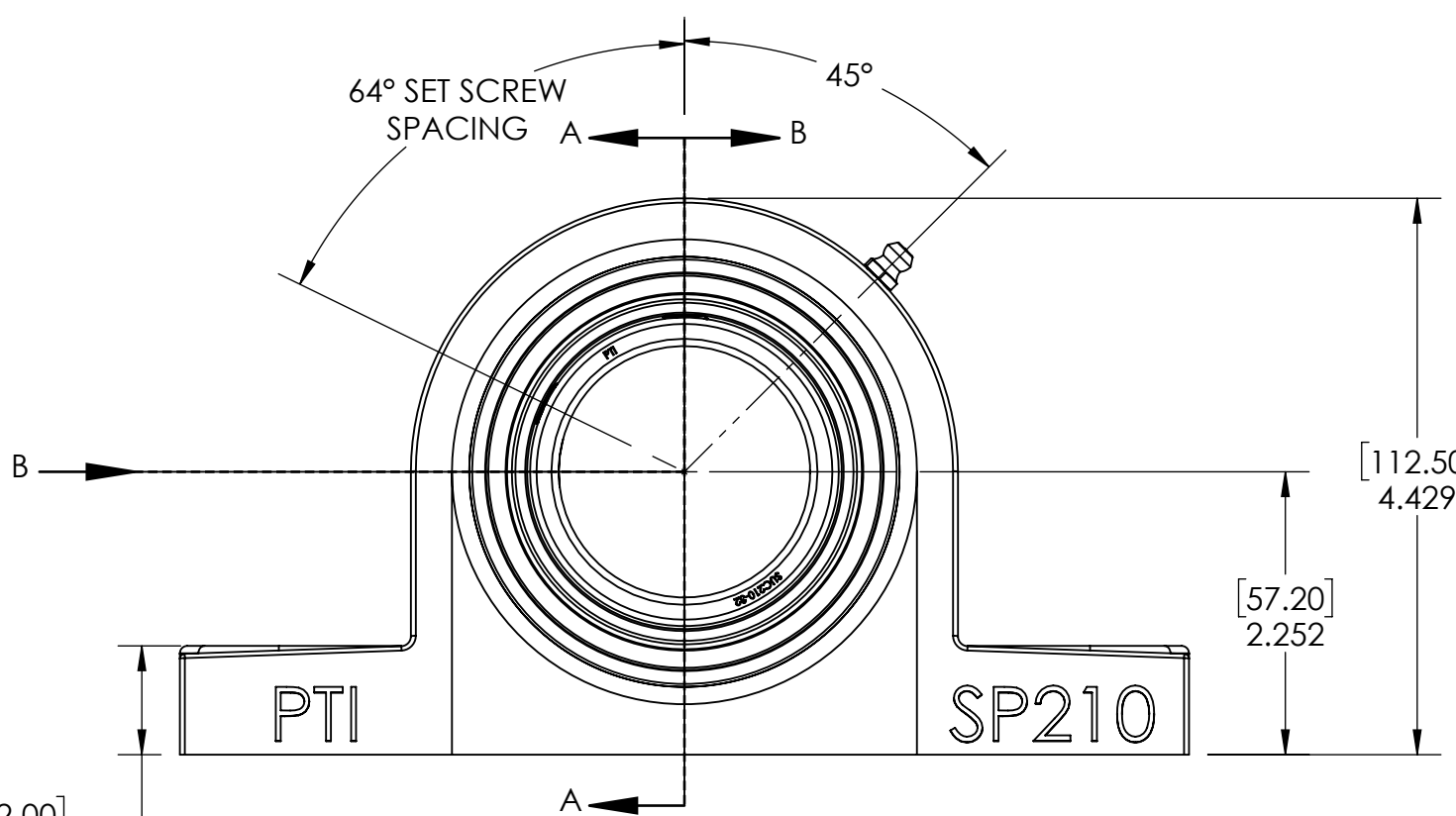
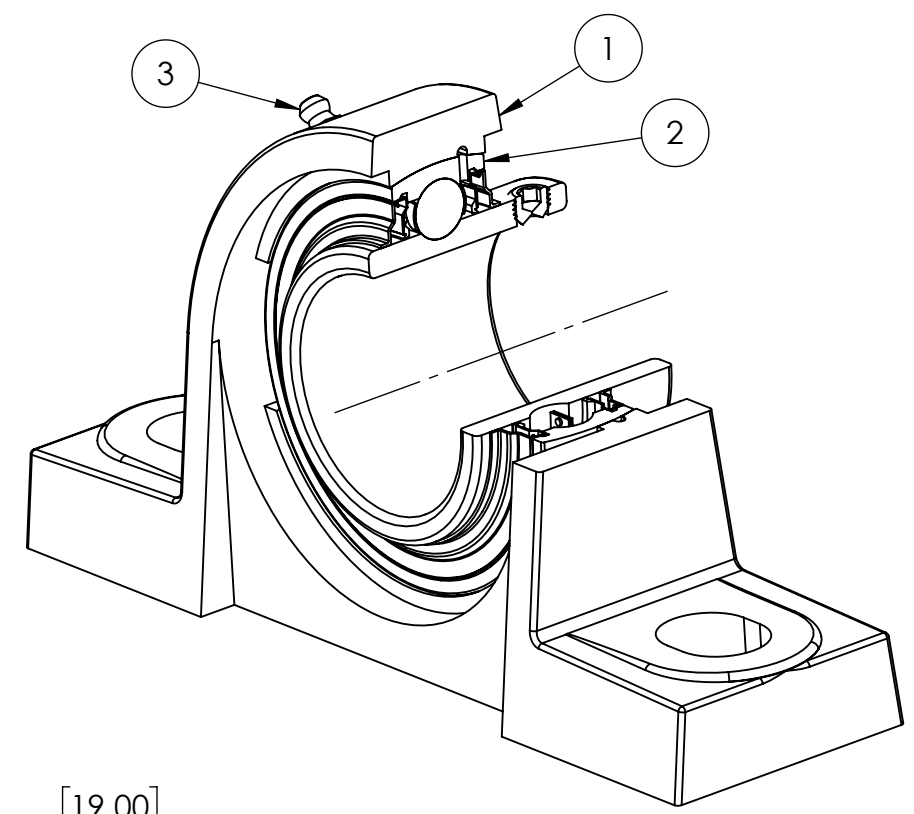
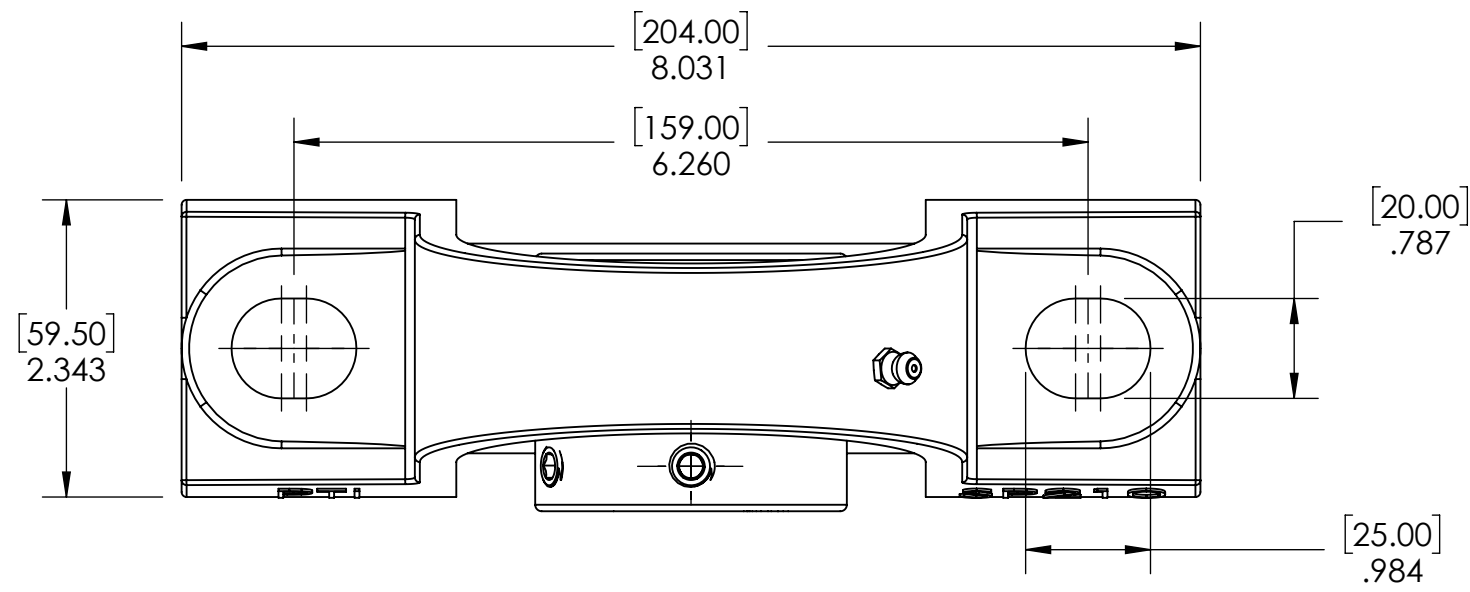


9 8 7 6 5 4 3 2 1

G F E D C B A



SECTION VIEW A-A

ITEM NO.	PART NUMBER	MATERIAL	COATING	QTY.
3	M6 ZERK	STAINLESS STEEL	N/A	1
2	SUC210-32	STAINLESS STEEL	N/A	1
1	SP210	STAINLESS STEEL	N/A	1

SPECIFICATIONS	
UNITS:	IN (mm)
LOAD RATINGS	C: 6,800 LBS Co: 4,200 LBS
SPEED RATING	3400 RPM
GREASE TYPE	FM222
GREASE FILL	40%
OPERATING TEMP	-10°F - 250°F
SEAL TYPE	K-TYPE
INTERNAL CLEARANCE	C3
TORQUE SETTING ON SET SCREWS	

SOLVE
INDUSTRIAL MOTION GROUP

SIZE **PTI**

DWG. NO.

WEIGHT	6.57 LBS
MATERIAL	SEE BOM
COATING	SEE BOM
DRAWN	SEC 12/26/2024
CHECKED	AK 01/09/2025
APPROVED	

DATE	BY	REVISION DESCRIPTION	REV
ITEM DESCRIPTION: SUCSP210-32			SCALE 1:7
			REV -

9 8 7 6 5 4 3 2 1

A B C D E F G