

9 8 7 6 5 4 3 2 1

G G

F F

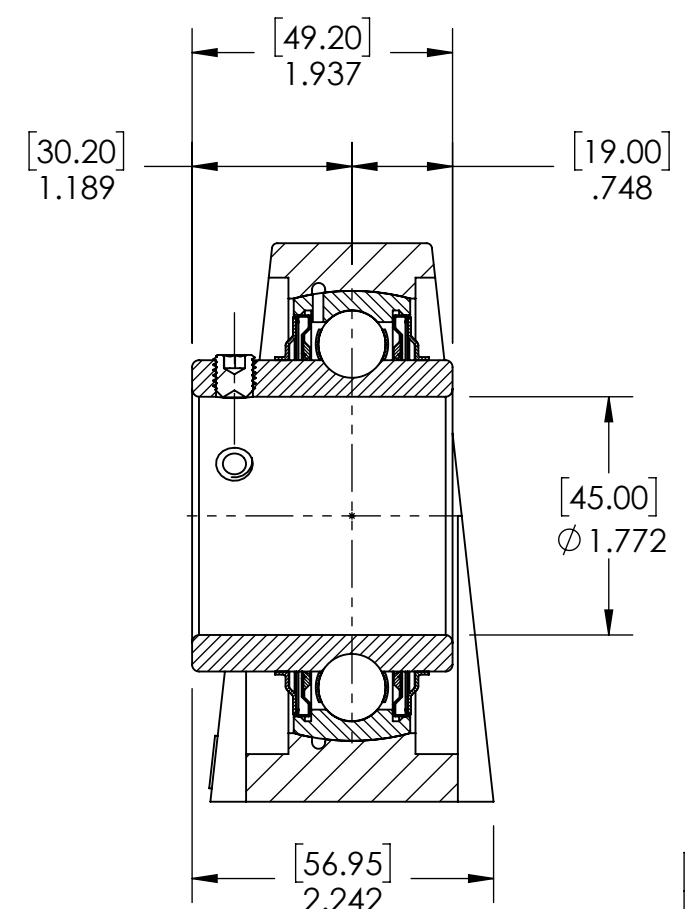
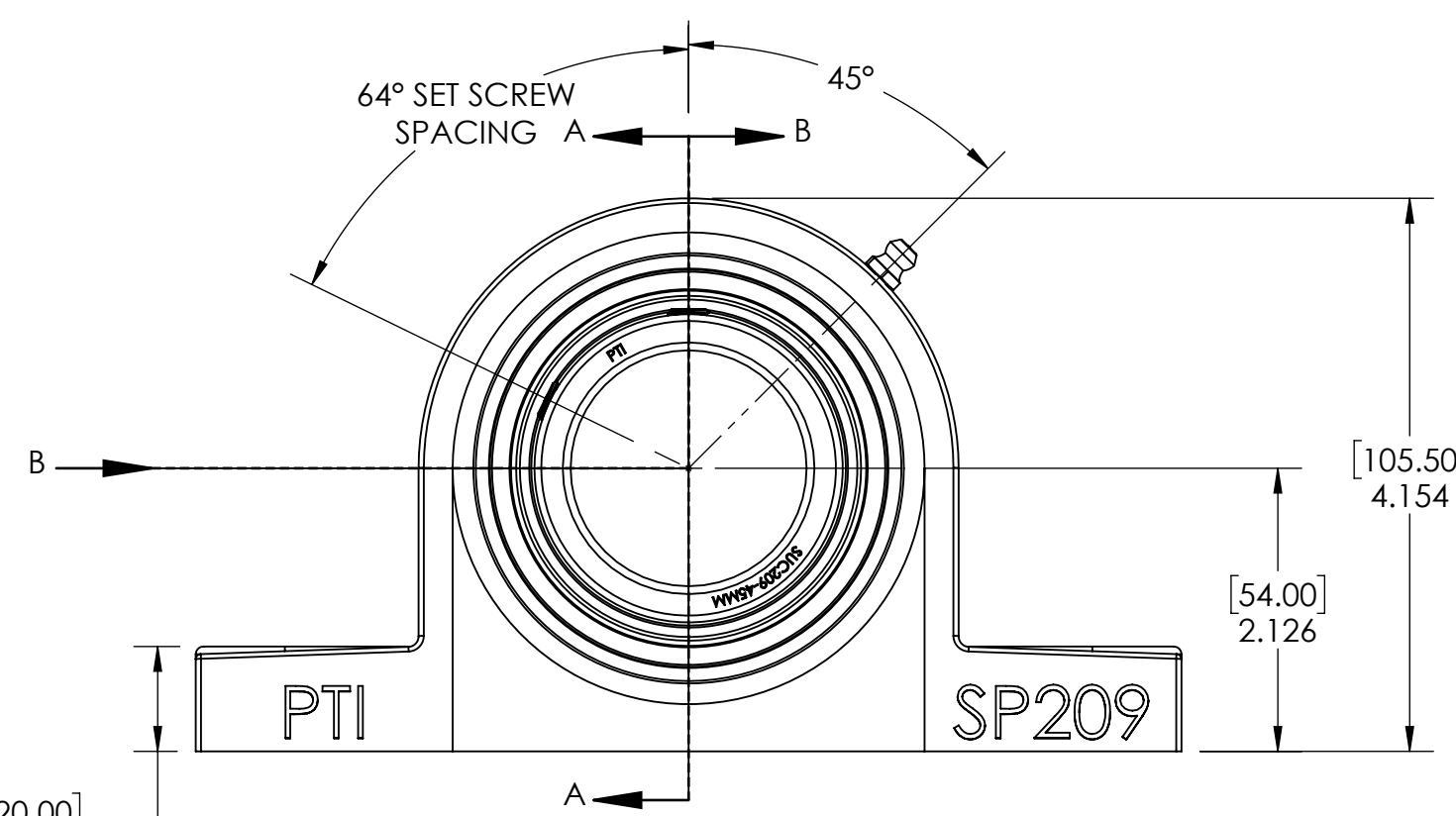
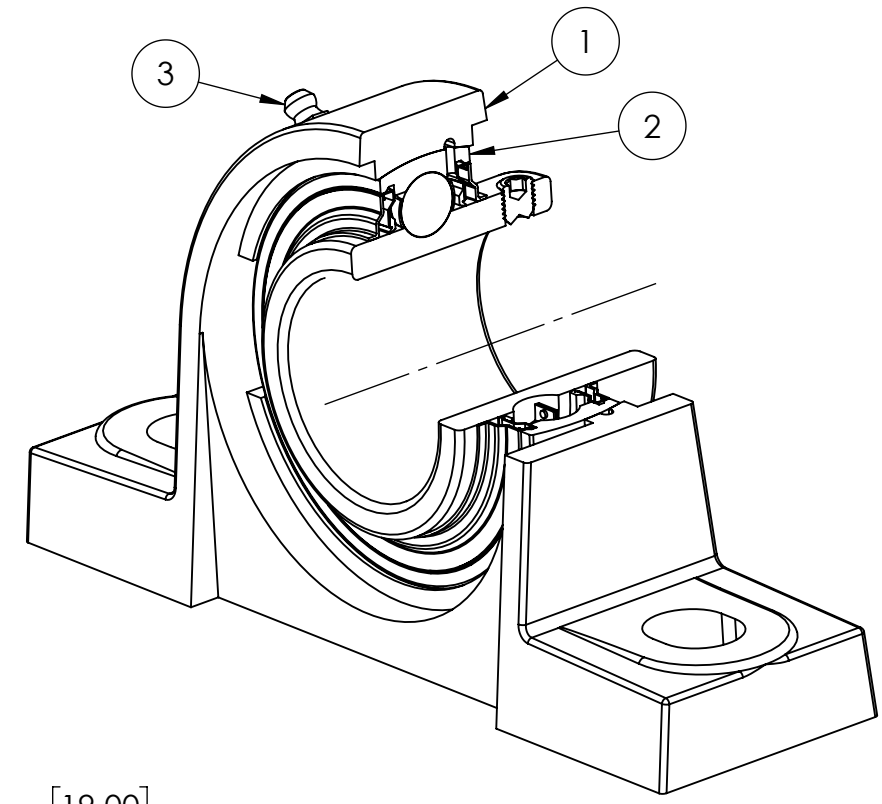
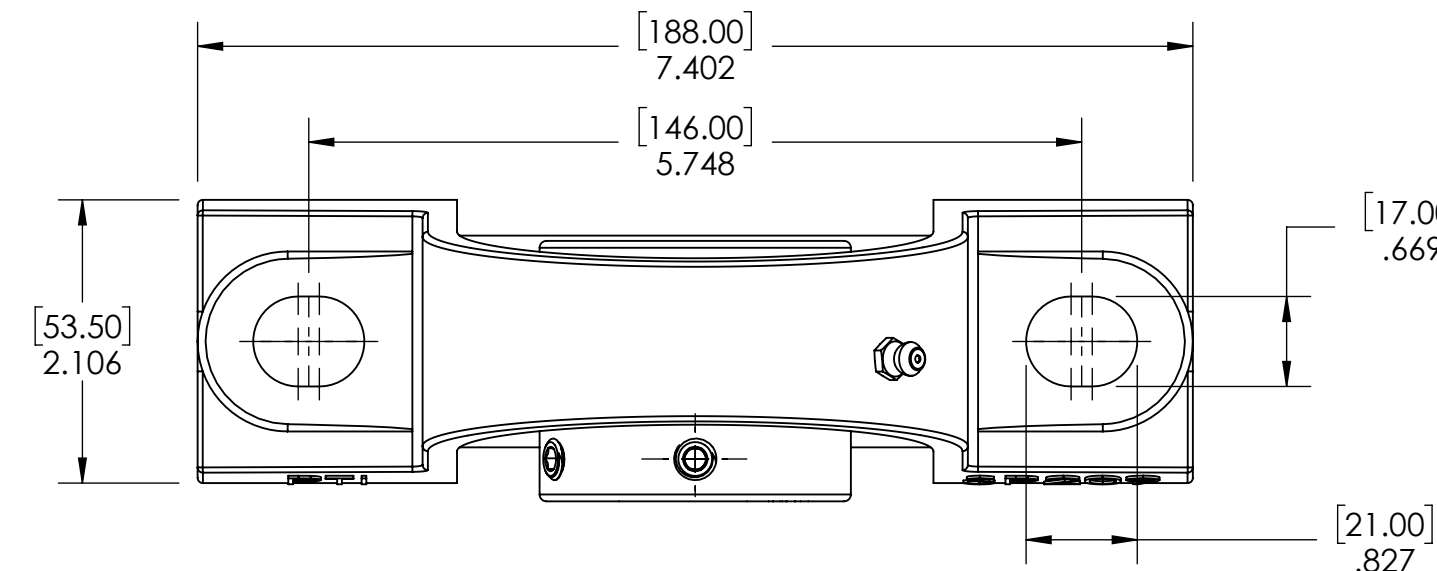
E E

D D

C C

B B

A A



SECTION VIEW A-A

ITEM NO.	PART NUMBER	MATERIAL	COATING	QTY.
3	M6 ZERK	STAINLESS STEEL	N/A	1
2	SUC209-45MM	STAINLESS STEEL	N/A	1
1	SP209	STAINLESS STEEL	N/A	1

SPECIFICATIONS		WEIGHT	
UNITS:	IN [mm]		5.37 LBS
LOAD RATINGS	C: 6,200 LBS Co: 3,600 LBS	MATERIAL	SEE BOM
SPEED RATING	3700 RPM	COATING	SEE BOM
GREASE TYPE	FM222	DRAWN	SEC 12/26/2024
GREASE FILL	40%	CHECKED	SEC 01/09/2025
OPERATING TEMP	-10°F - 250°F	APPROVED	
SEAL TYPE	K-TYPE	THIRD ANGLE PROJECTION	
INTERNAL CLEARANCE	C3		
TORQUE SETTING ON SET SCREWS			



PROPRIETARY AND CONFIDENTIAL  
THE INFORMATION CONTAINED IN THIS DRAWING IS THE SOLE PROPERTY OF SOLVE IMG. ANY REPRODUCTION IN PART OR AS A WHOLE WITHOUT THE WRITTEN PERMISSION OF SOLVE IMG IS PROHIBITED.

DATE	BY	REVISION DESCRIPTION	REV
ITEM DESCRIPTION:			SCALE
SUCSP209-45MM			1:8
			REV
			-

9 8 7 6 5 4 3 2 1