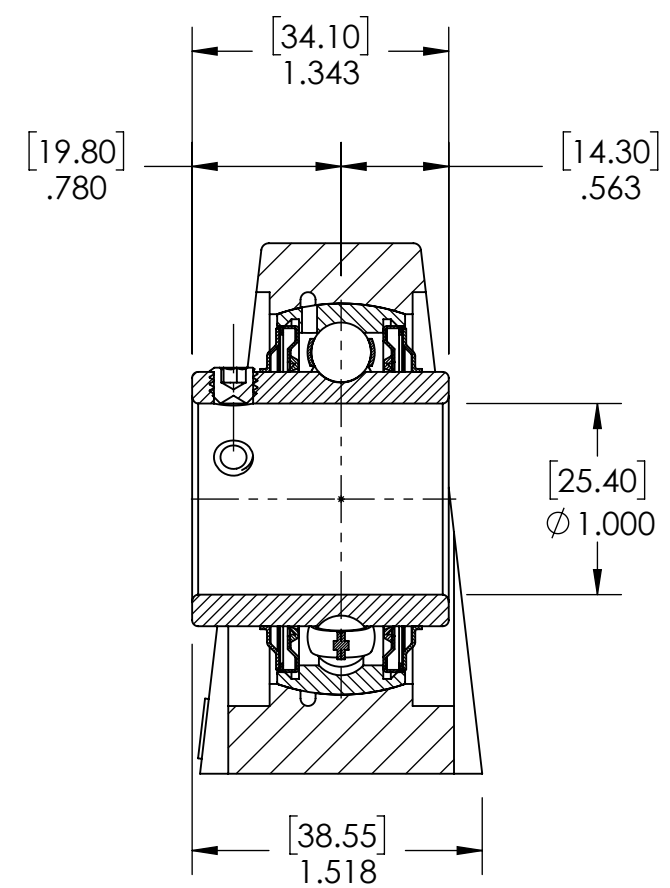
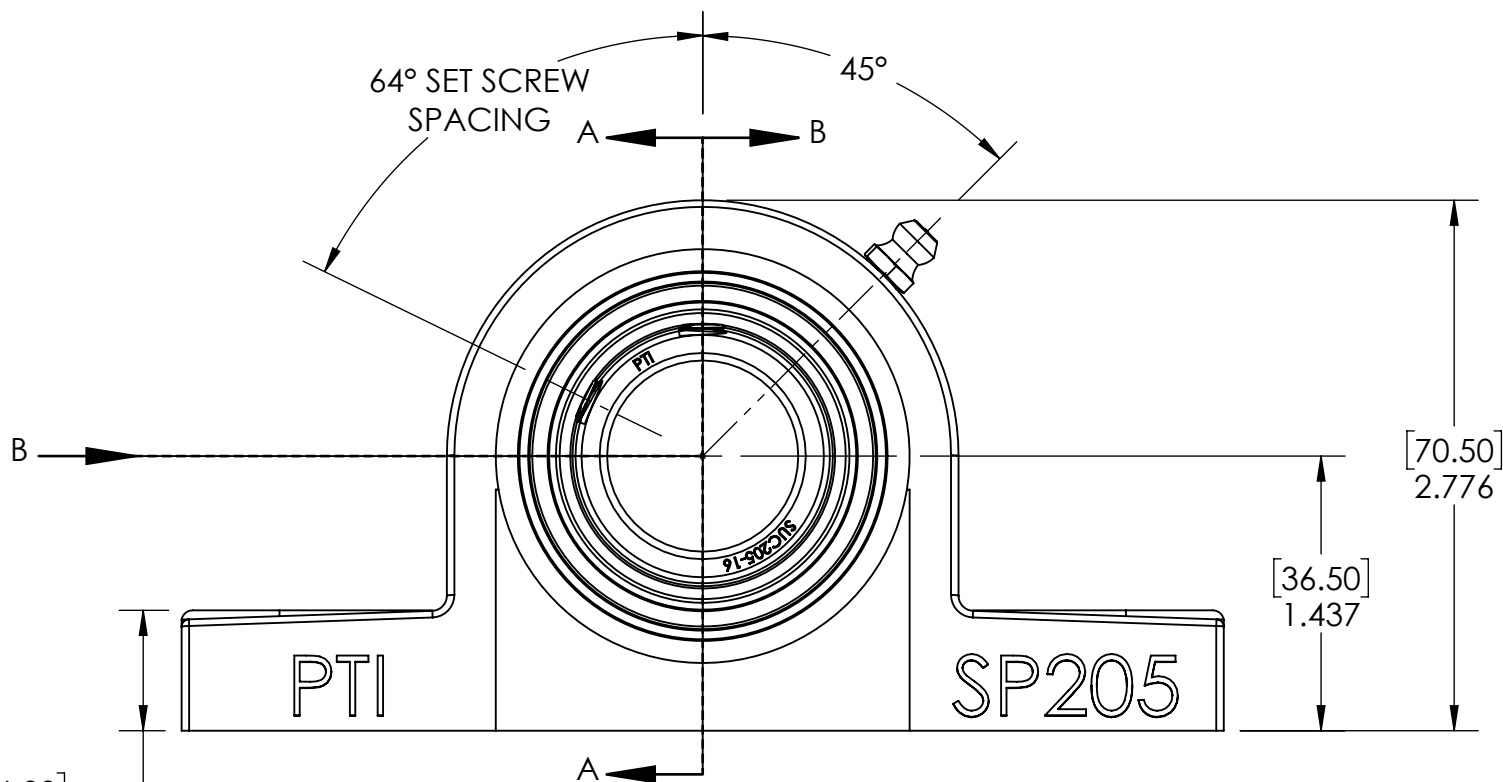
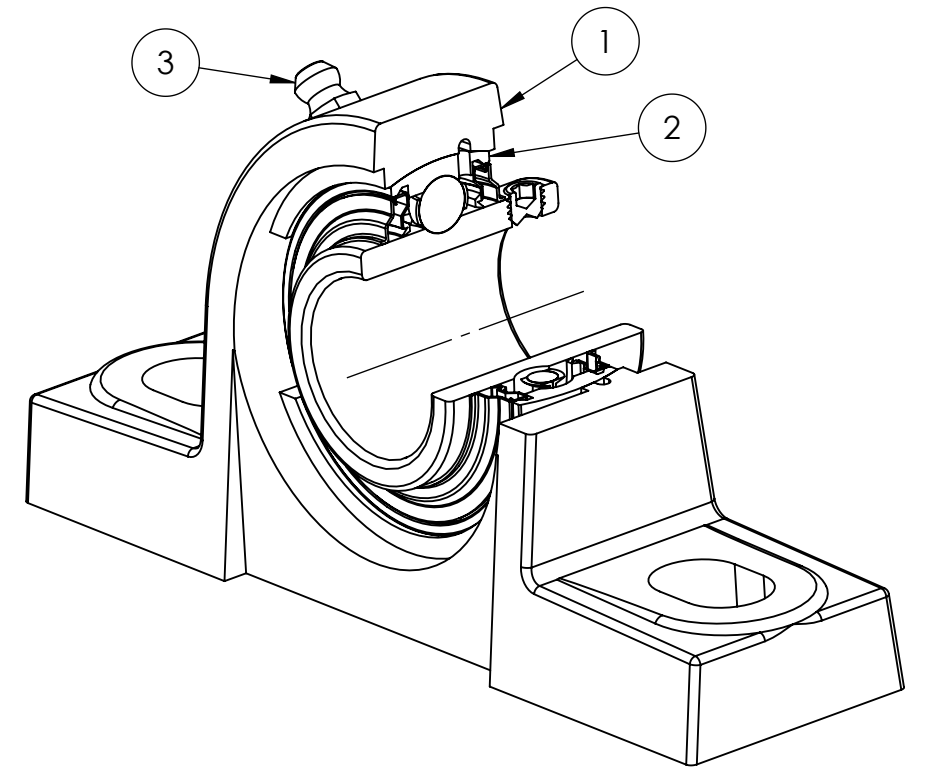
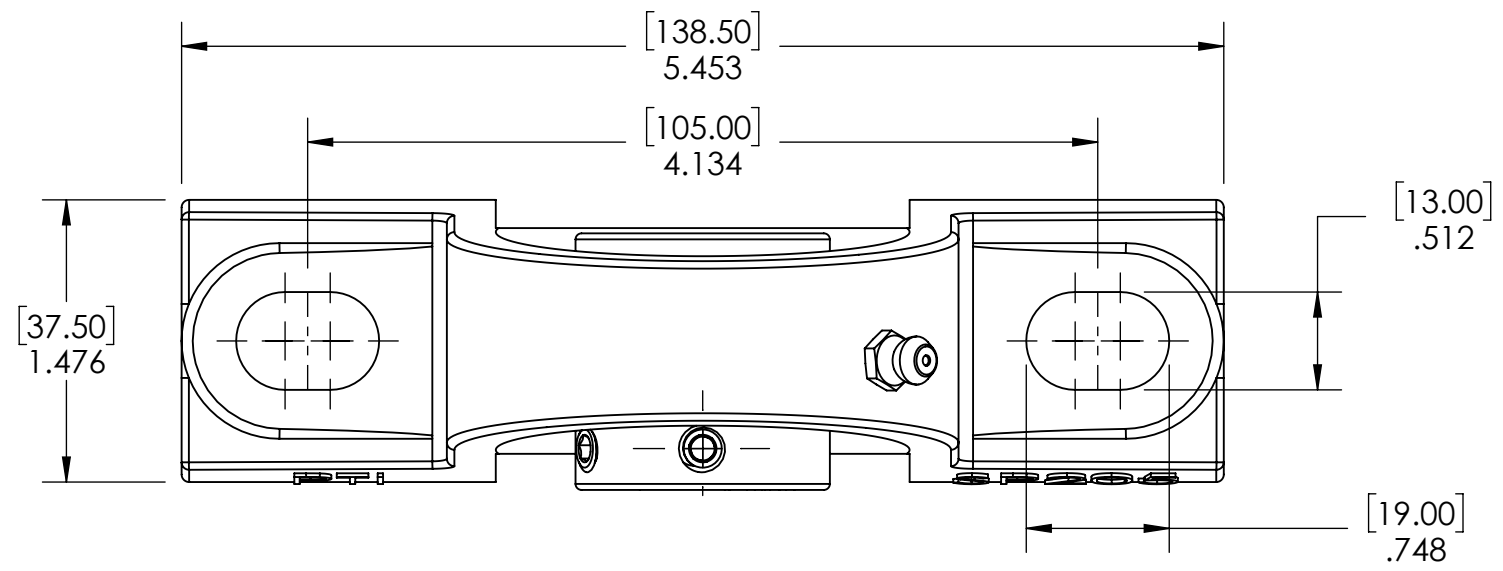


9 8 7 6 5 4 3 2 1

G
F
E
D
C
B
A

G
F
E
D
C
B
A



SECTION VIEW A-A

ITEM NO.	PART NUMBER	MATERIAL	COATING	QTY.
3	M6 ZERK	STAINLESS STEEL	N/A	1
2	SUC205-16	STAINLESS STEEL	N/A	1
1	SP205	STAINLESS STEEL	N/A	1

SPECIFICATIONS	
UNITS:	IN (mm)
LOAD RATINGS	C: 2,600 LBS Co: 1,430 LBS
SPEED RATING	6250 RPM
GREASE TYPE	FM222
GREASE FILL	40%
OPERATING TEMP	-10°F - 250°F
SEAL TYPE	K-TYPE
INTERNAL CLEARANCE	C3
TORQUE SETTING ON SET SCREWS	

SOLVE INDUSTRIAL MOTION GROUP
PTI
 DWG. NO.

WEIGHT	2.00 LBS
MATERIAL	SEE BOM
COATING	SEE BOM
DRAWN	SEC 12/26/2024
CHECKED	AK 01/09/2025
APPROVED	
THIRD ANGLE PROJECTION	

DATE	BY	REVISION DESCRIPTION	REV
ITEM DESCRIPTION: SUCSP205-16			SCALE 1:11
			REV -

9 8 7 6 5 4 3 2 1