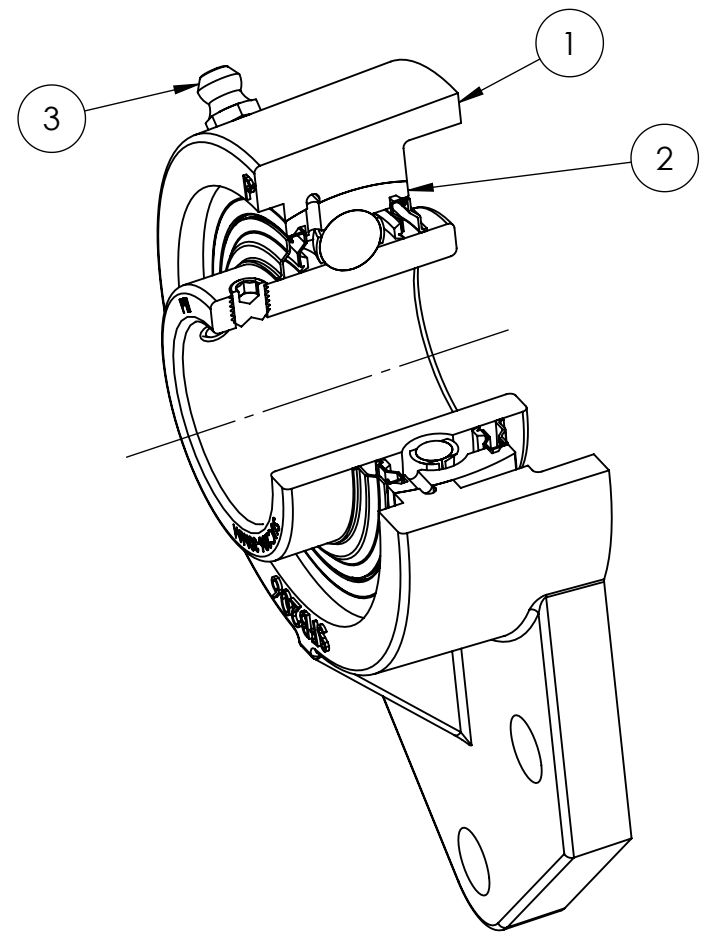
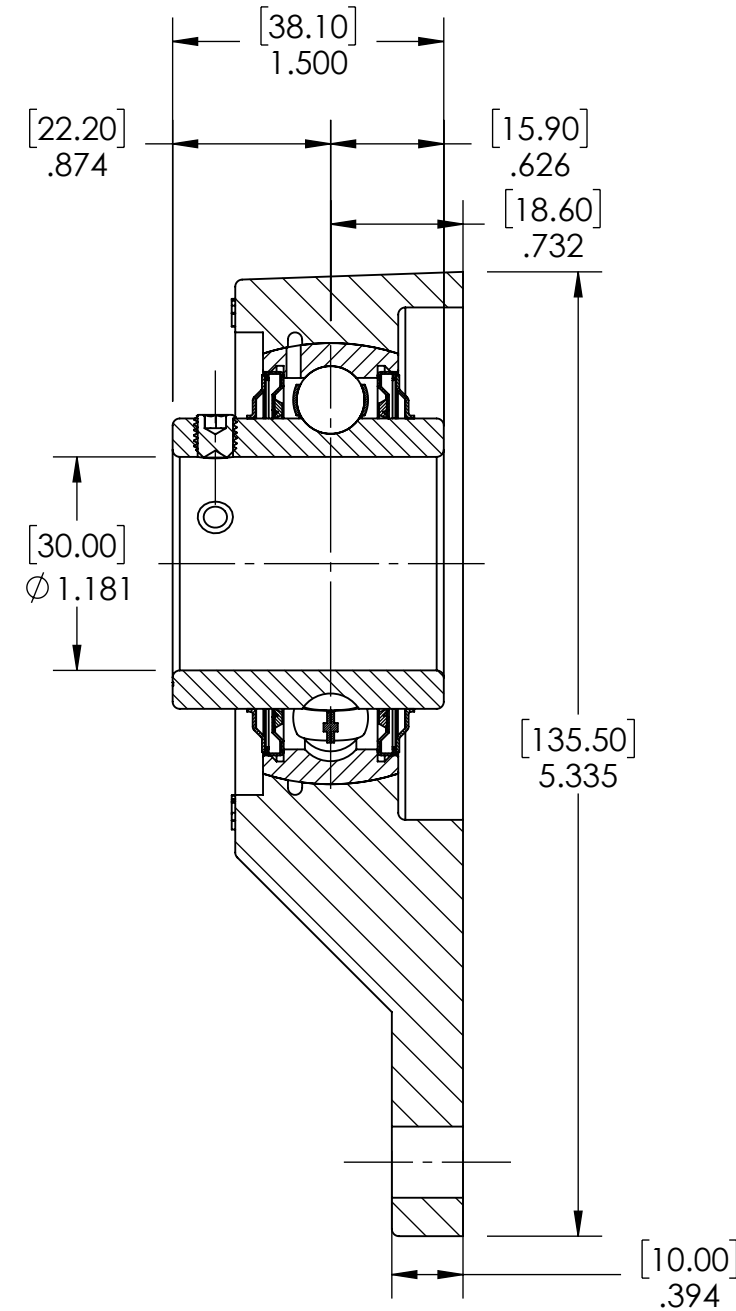
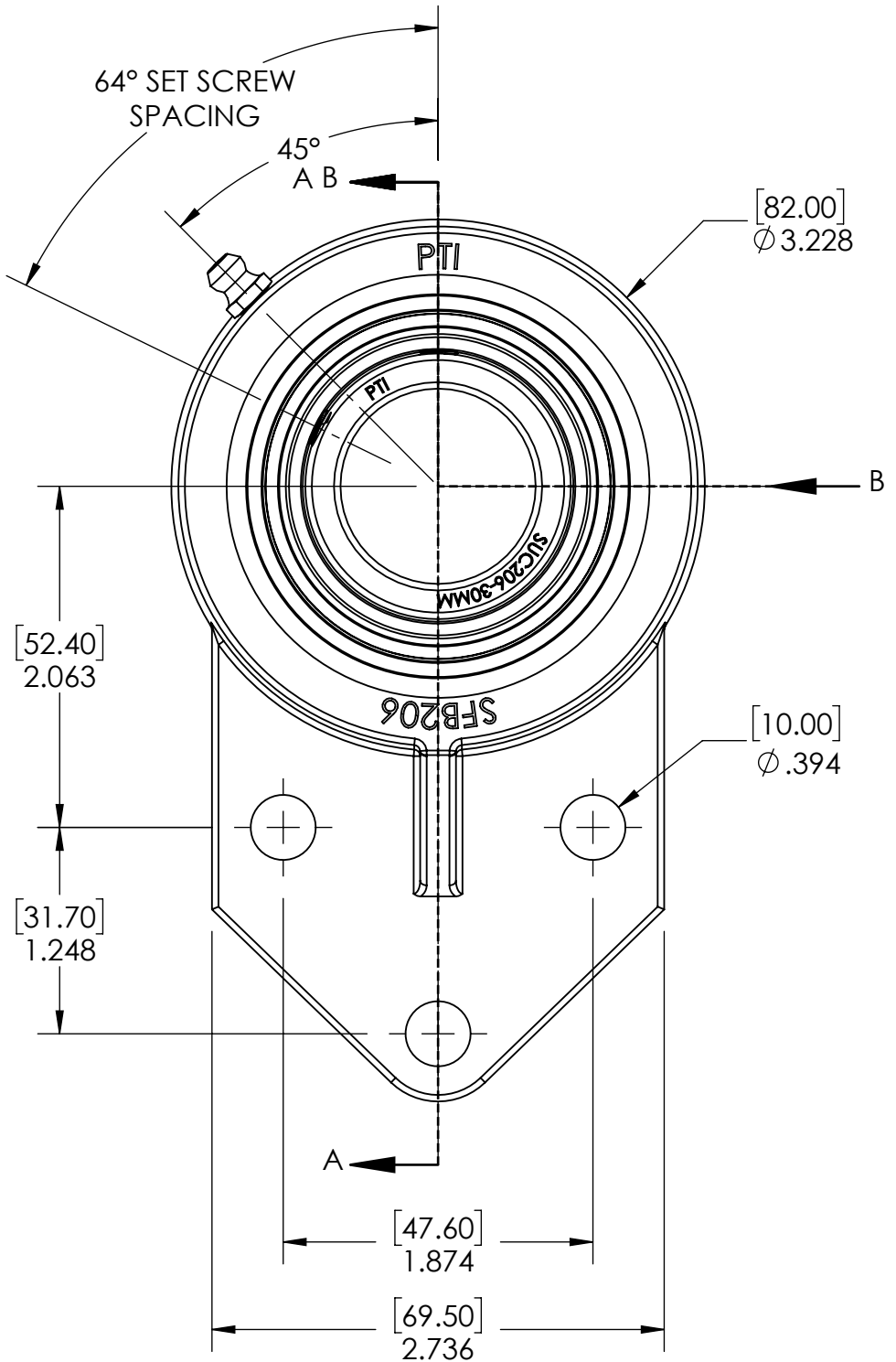
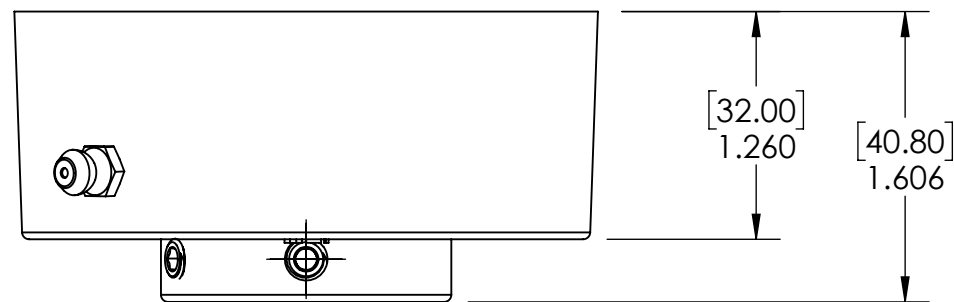


9 8 7 6 5 4 3 2 1

G F E D C B A



ITEM NO.	PART NUMBER	MATERIAL	COATING	QTY.
3	M6 ZERK	STAINLESS STEEL	N/A	1
2	SUC206-30MM	STAINLESS STEEL	N/A	1
1	SFB206	STAINLESS STEEL	N/A	1

SPECIFICATIONS		WEIGHT	
UNITS:	IN (mm)		2.18 LBS
LOAD RATINGS	C: 3,700 LBS Co: 2,030 LBS	MATERIAL	SEE BOM
SPEED RATING	5300 RPM	COATING	SEE BOM
GREASE TYPE	FM222	DRAWN	SEC 01/07/2025
GREASE FILL	40%	CHECKED	SEC 01/08/2025
OPERATING TEMP	-10°F - 250°F	APPROVED	
SEAL TYPE	K-TYPE	THIRD ANGLE PROJECTION	
INTERNAL CLEARANCE	C3		
TORQUE SETTING ON SET SCREWS			



DATE	BY	REVISION DESCRIPTION	REV
ITEM DESCRIPTION: SUCSFB206-30MM			SCALE 1:10
			REV -

9 8 7 6 5 4 3 2 1

A B C D E F G