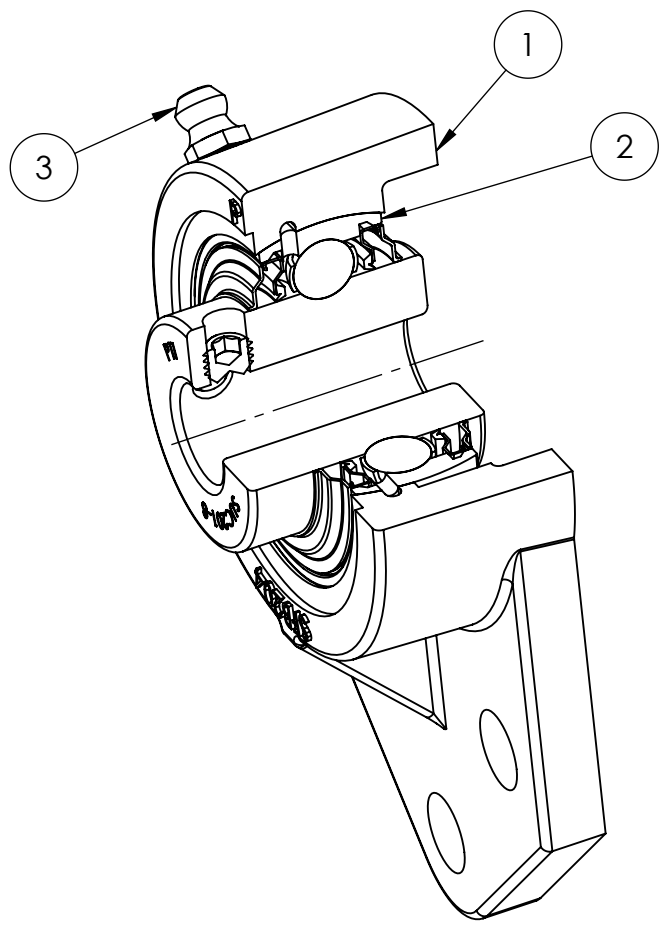
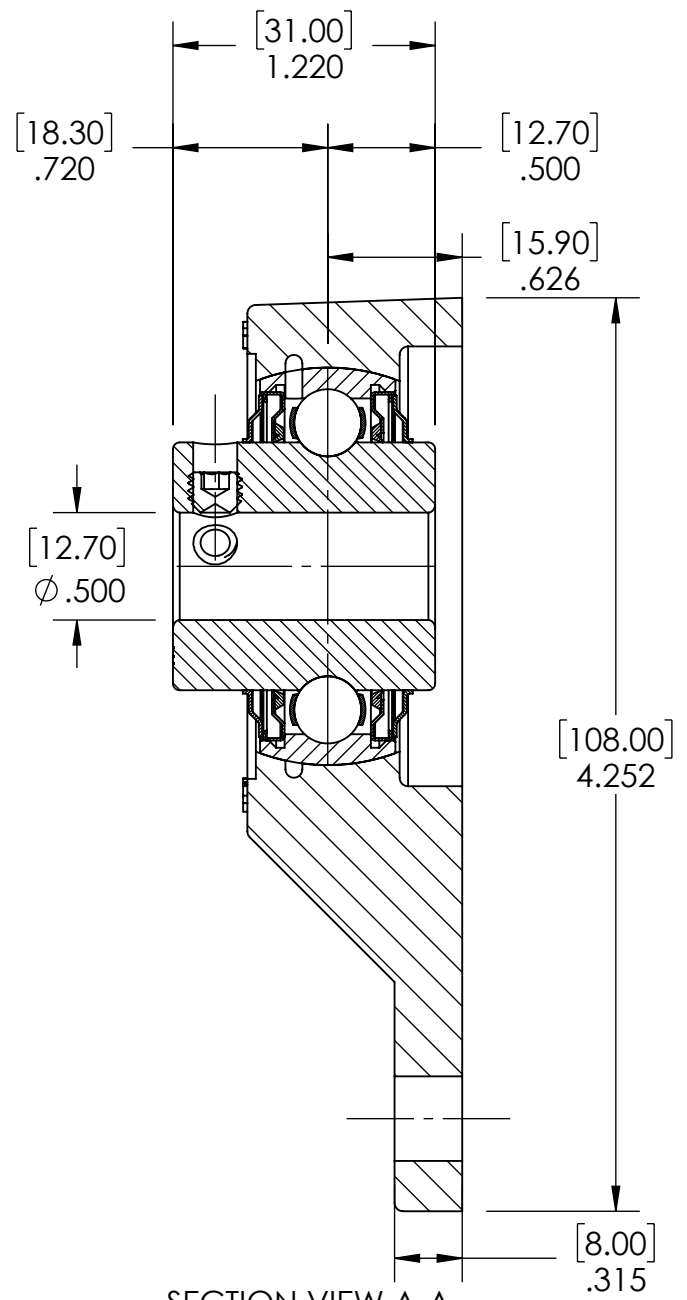
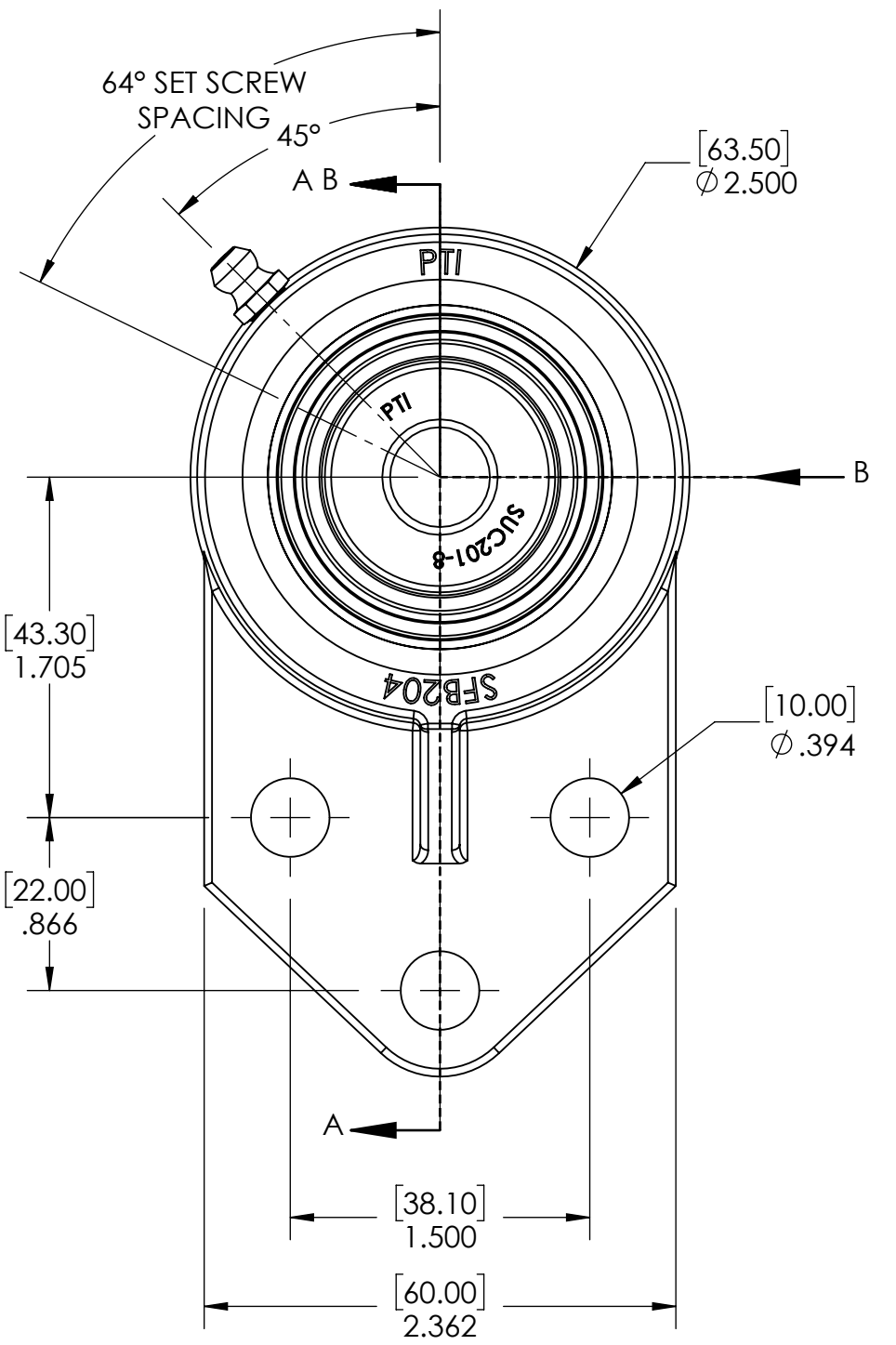
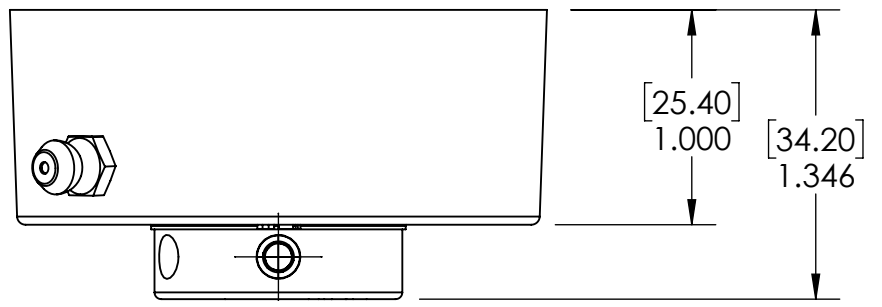


9 8 7 6 5 4 3 2 1

G F E D C B A



ITEM NO.	PART NUMBER	MATERIAL	COATING	QTY.
3	M6 ZERK	STAINLESS STEEL	N/A	1
2	SUC201-8	STAINLESS STEEL	N/A	1
1	SFB204	STAINLESS STEEL	N/A	1

SPECIFICATIONS	
UNITS:	IN (mm)
LOAD RATINGS	C: 2,400 LBS Co: 1,180 LBS
SPEED RATING	7450 RPM
GREASE TYPE	FM222
GREASE FILL	40%
OPERATING TEMP	-10°F - 250°F
SEAL TYPE	K-TYPE
INTERNAL CLEARANCE	C3
TORQUE SETTING ON SET SCREWS	



WEIGHT	1.27 LBS
MATERIAL	SEE BOM
COATING	SEE BOM
DRAWN	SEC 01/07/2025
CHECKED	SEC 01/08/2025
APPROVED	
THIRD ANGLE PROJECTION	

DATE	BY	REVISION DESCRIPTION	REV
ITEM DESCRIPTION: SUCSFB201-8			SCALE 1:13
			REV -

9 8 7 6 5 4 3 2 1

A B C D E F G