

9 8 7 6 5 4 3 2 1

G

F

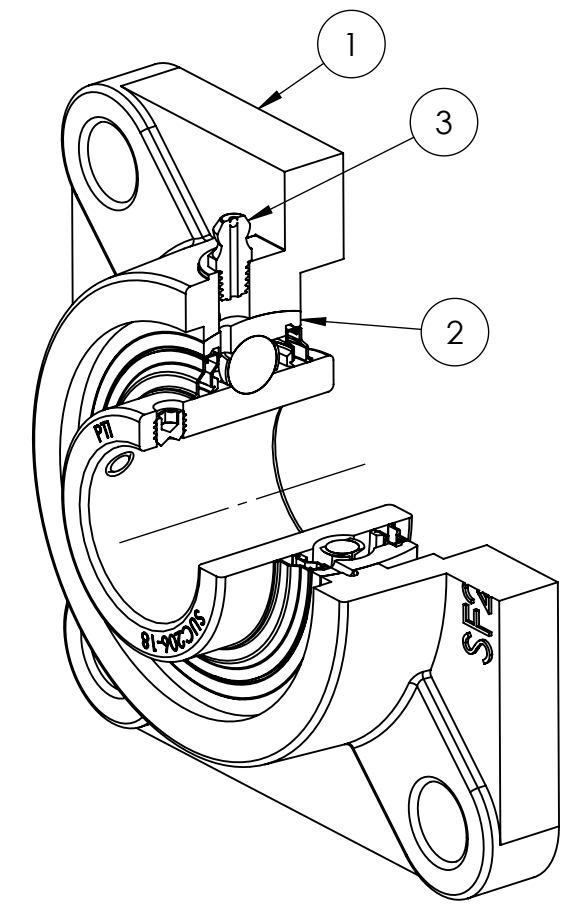
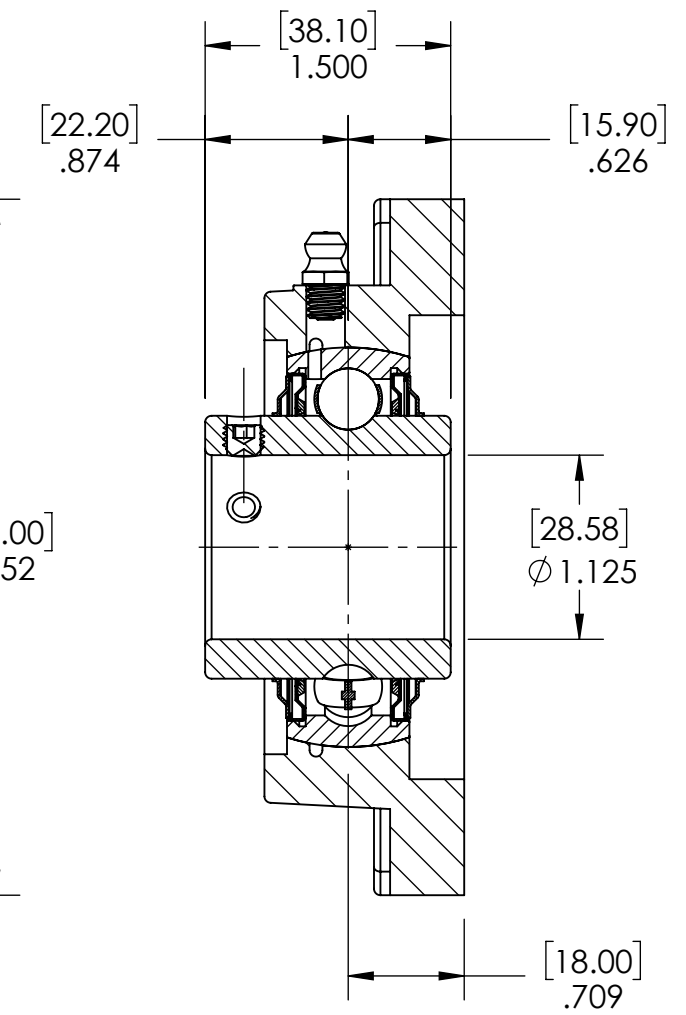
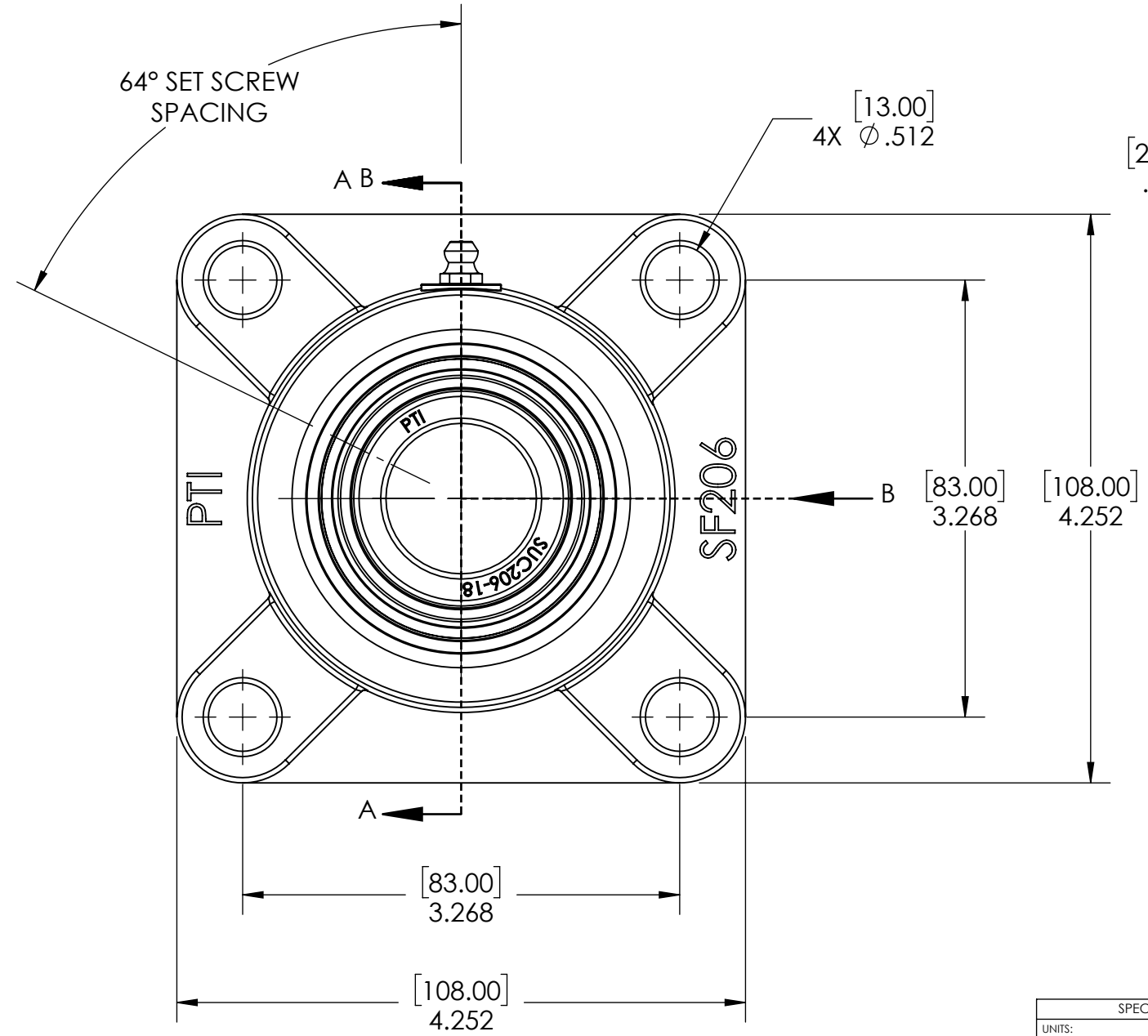
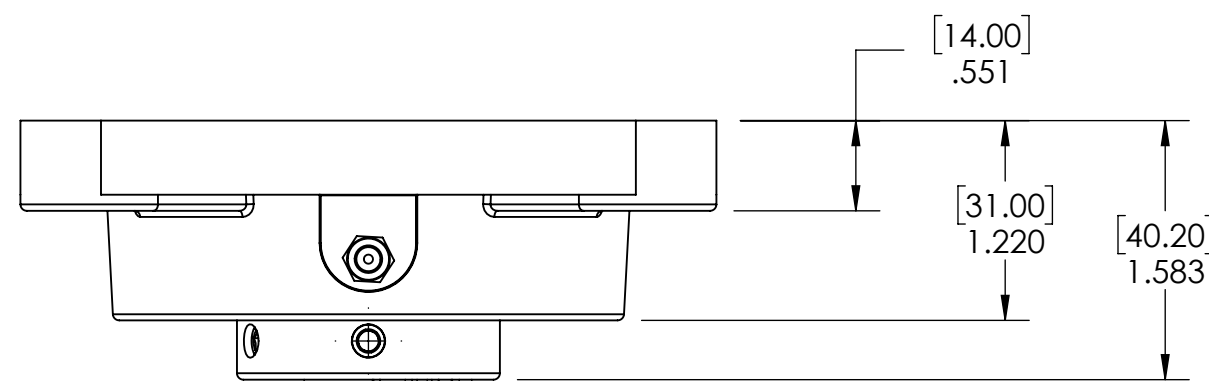
E

D

C

B

A



SECTION VIEW A-A

3	M6 ZERK	STAINLESS STEEL	N/A	1
2	SUC206-18	STAINLESS STEEL	N/A	1
1	SF206	STAINLESS STEEL	N/A	1
ITEM NO.	PART NUMBER	MATERIAL	COATING	QTY.

SPECIFICATIONS		SOLVE		WEIGHT	2.89 LBS
UNITS:	IN (mm)	INDUSTRIAL MOTION GROUP		MATERIAL	SEE BOM
LOAD RATINGS	C: 3,700 LBS Co: 2,030 LBS			COATING	SEE BOM
SPEED RATING	5300 RPM	SIZE	B	DRAWN	SEC 01/03/2025
GREASE TYPE	FM222	PTI		CHECKED	AK 01/09/2025
GREASE FILL	40%			APPROVED	
OPERATING TEMP	-10°F - 250°F	DWG. NO.		THIRD ANGLE PROJECTION	
SEAL TYPE	K-TYPE			PROPRIETARY AND CONFIDENTIAL	
INTERNAL CLEARANCE	C3	SUCSF206-18		DATE BY REVISION DESCRIPTION	
TORQUE SETTING ON SET SCREWS				ITEM DESCRIPTION:	

DATE		BY	REVISION DESCRIPTION		REV
DATE		BY	REVISION DESCRIPTION		SCALE
DATE		BY	REVISION DESCRIPTION		1:11
DATE		BY	REVISION DESCRIPTION		REV
DATE		BY	REVISION DESCRIPTION		-

9 8 7 6 5 4 3 2 1