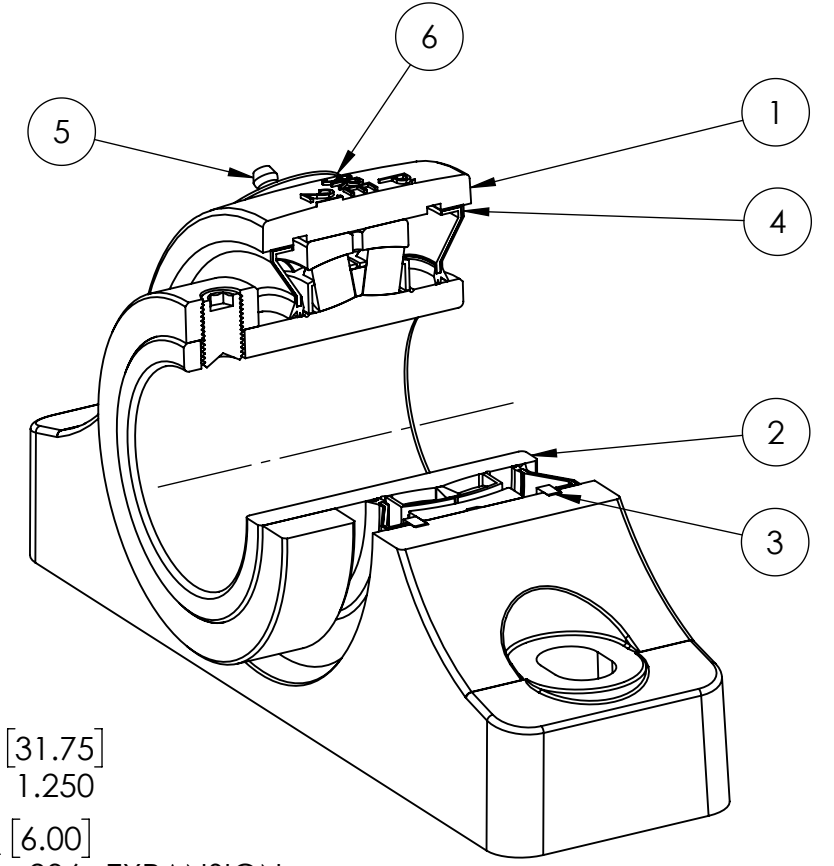
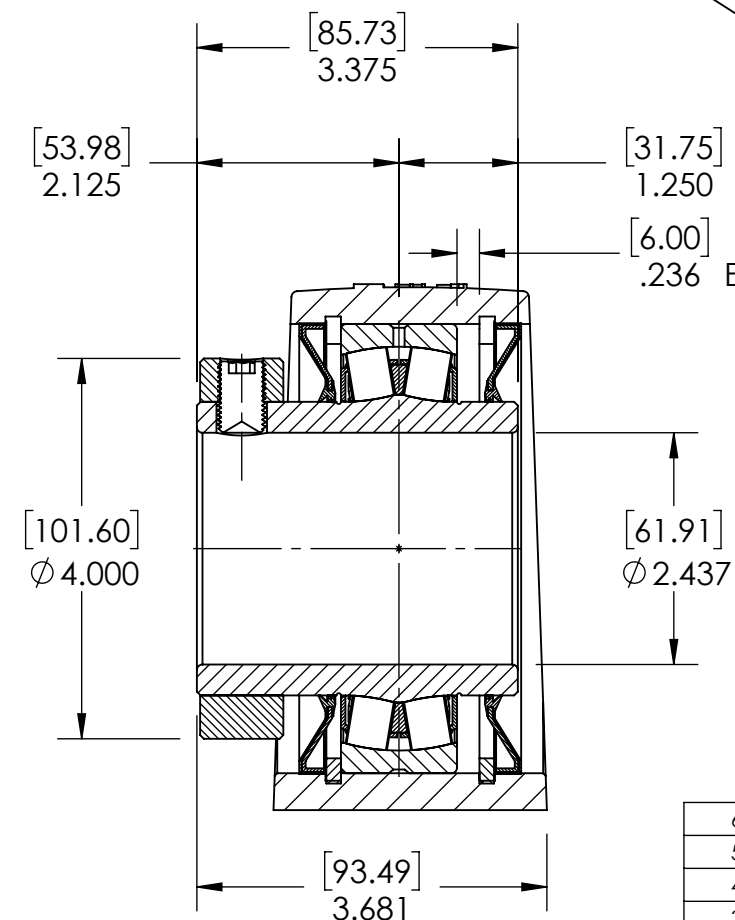
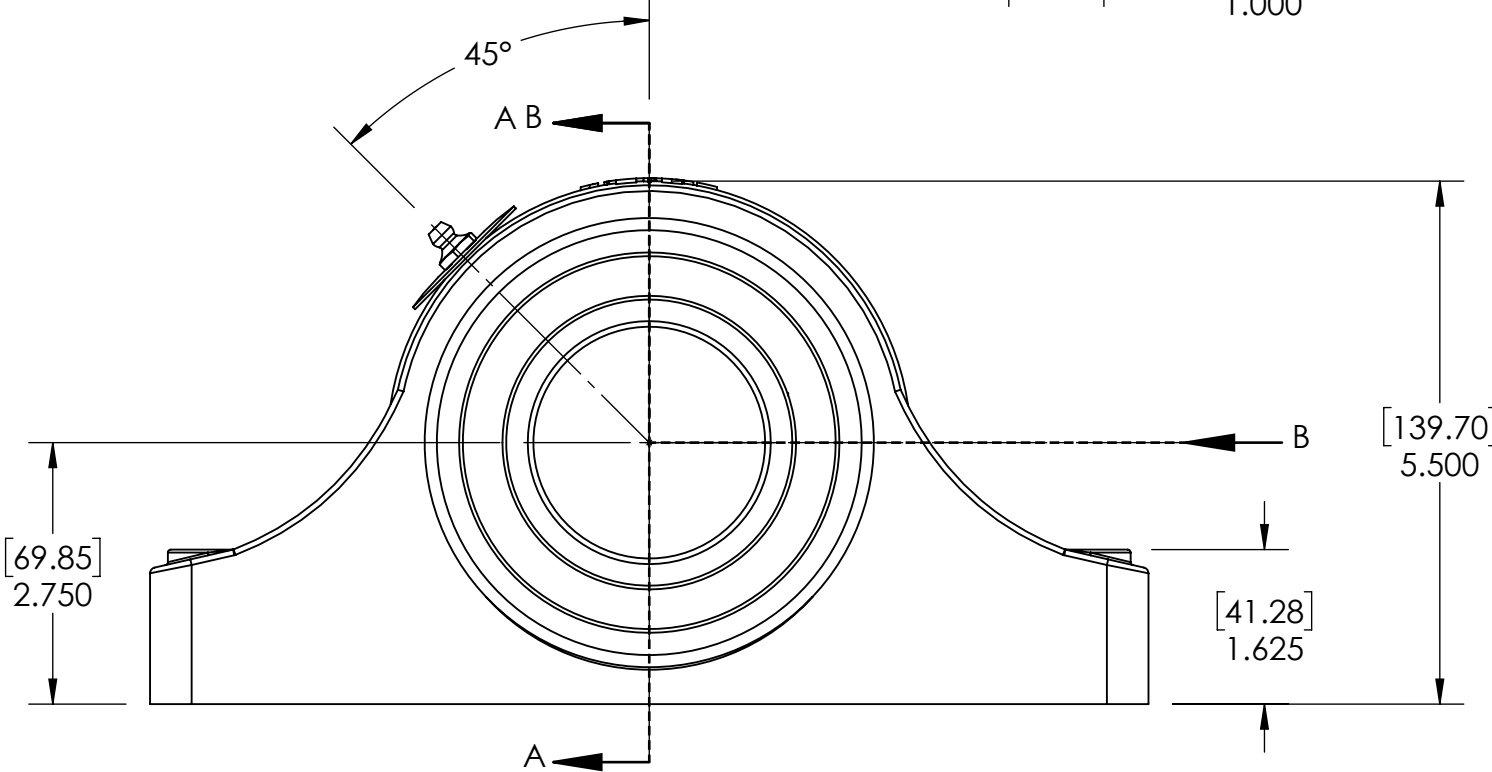
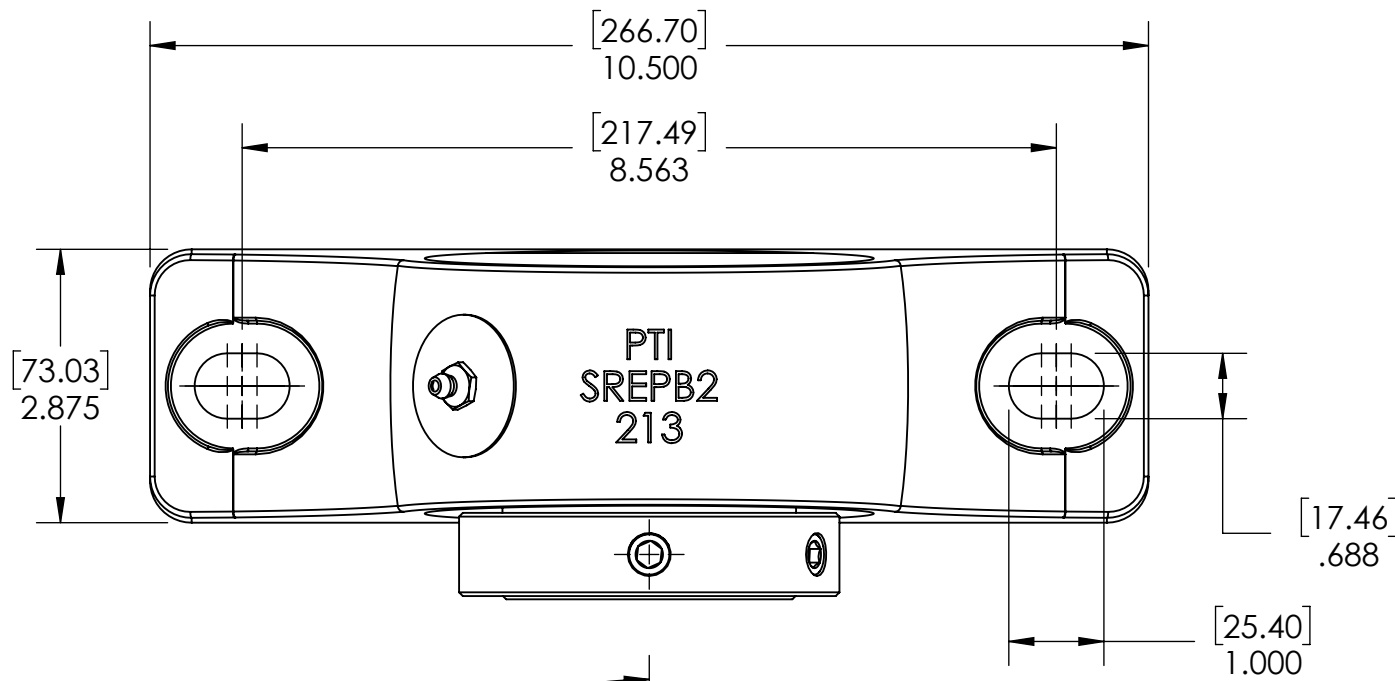


9 8 7 6 5 4 3 2 1

G  
F  
E  
D  
C  
B  
A

G  
F  
E  
D  
C  
B  
A



SECTION VIEW A-A

| ITEM NO. | PART NUMBER | MATERIAL      | COATING     | QTY. |
|----------|-------------|---------------|-------------|------|
| 6        | NP-SRE-EX   | STEEL         | N/A         | 1    |
| 5        | 1_8-27 ZERK | STEEL         | ZINC PLATED | 1    |
| 4        | R3-476213   | HNBR          | N/A         | 2    |
| 3        | OH120       | STEEL         | N/A         | 2    |
| 2        | 476213-207  | BEARING STEEL | N/A         | 1    |
| 1        | SREP2-213   | DUCTILE IRON  | POWDER COAT | 1    |

| SPECIFICATIONS            |                             |
|---------------------------|-----------------------------|
| UNITS                     | IN [mm]                     |
| LOAD RATINGS              | C 37090 LBS<br>Co 46090 LBS |
| SPEED RATING              | 1700 RPM                    |
| GREASE TYPE               | NLGI #2                     |
| GREASE FILL               | 40-60%                      |
| OPERATING TEMP            | -22°F - 290°F               |
| SET SCREW SIZE            | 1/2-20UNF-3/4               |
| SET SCREW TORQUE          | 620 IN-LBS                  |
| SET SCREW AXIAL RETENTION | 900 LBS                     |

**SOLVE** INDUSTRIAL MOTION GROUP  
**PTI**  
 DWG. NO.

|                              |  |
|------------------------------|--|
| WEIGHT                       | 19.72 LBS  |
| MATERIAL                     | SEE BOM  |
| COATING                      | SEE BOM  |
| DRAWN                        | SEC 03/17/2025   |
| CHECKED                      | FP 04/16/2025  |
| APPROVED                     |  |
| THIRD ANGLE PROJECTION       |  |
| PROPRIETARY AND CONFIDENTIAL | THE INFORMATION CONTAINED IN THIS DRAWING IS THE SOLE PROPERTY OF SOLVE IMG. ANY REPRODUCTION IN PART OR AS A WHOLE WITHOUT THE WRITTEN PERMISSION OF SOLVE IMG IS PROHIBITED. |

| DATE                              | BY | REVISION DESCRIPTION | REV        |
|-----------------------------------|----|----------------------|------------|
| ITEM DESCRIPTION: SRE-PB2-207R3XP |    |                      | SCALE 1:11 |
|                                   |    |                      | REV -      |

9 8 7 6 5 4 3 2 1