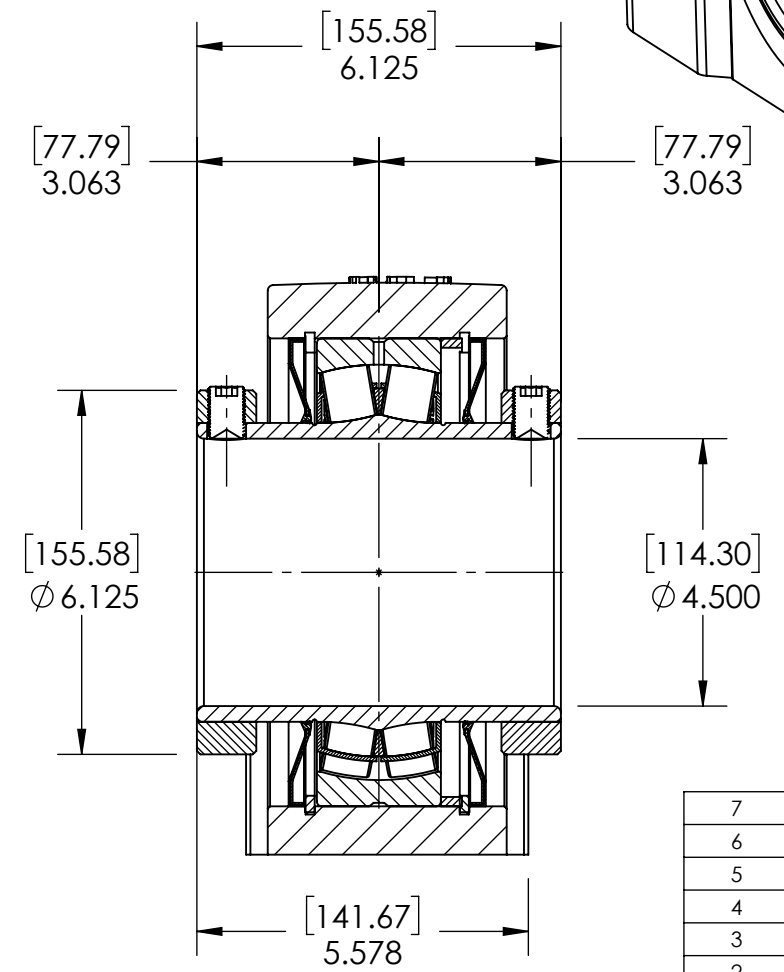
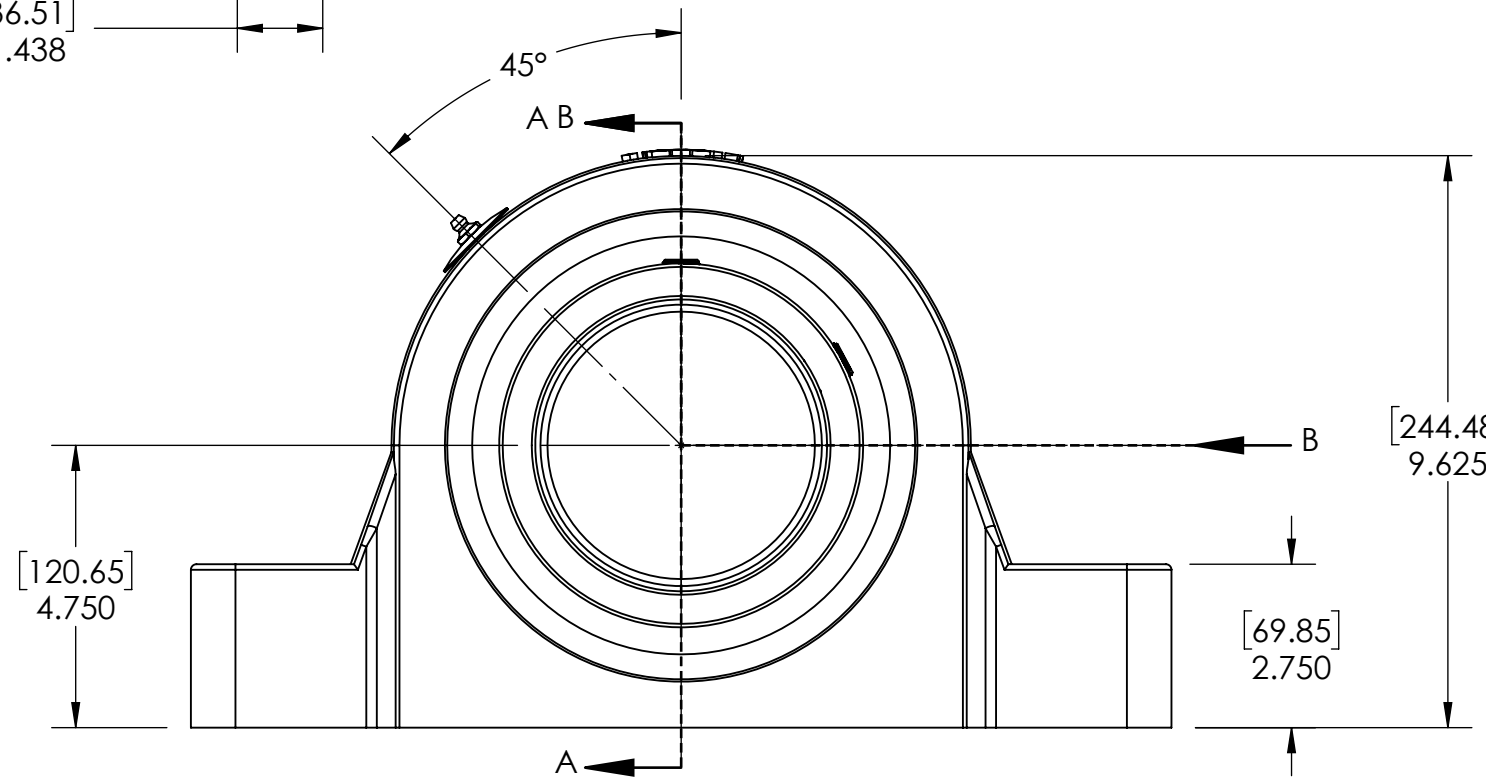
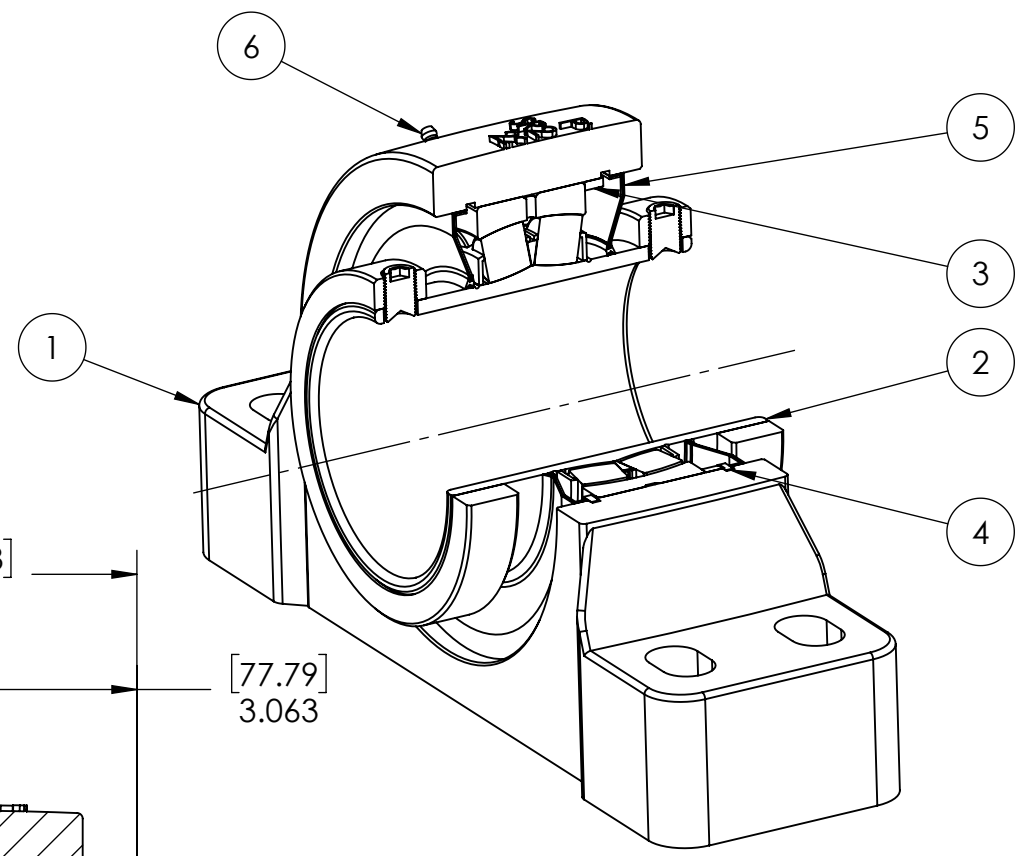
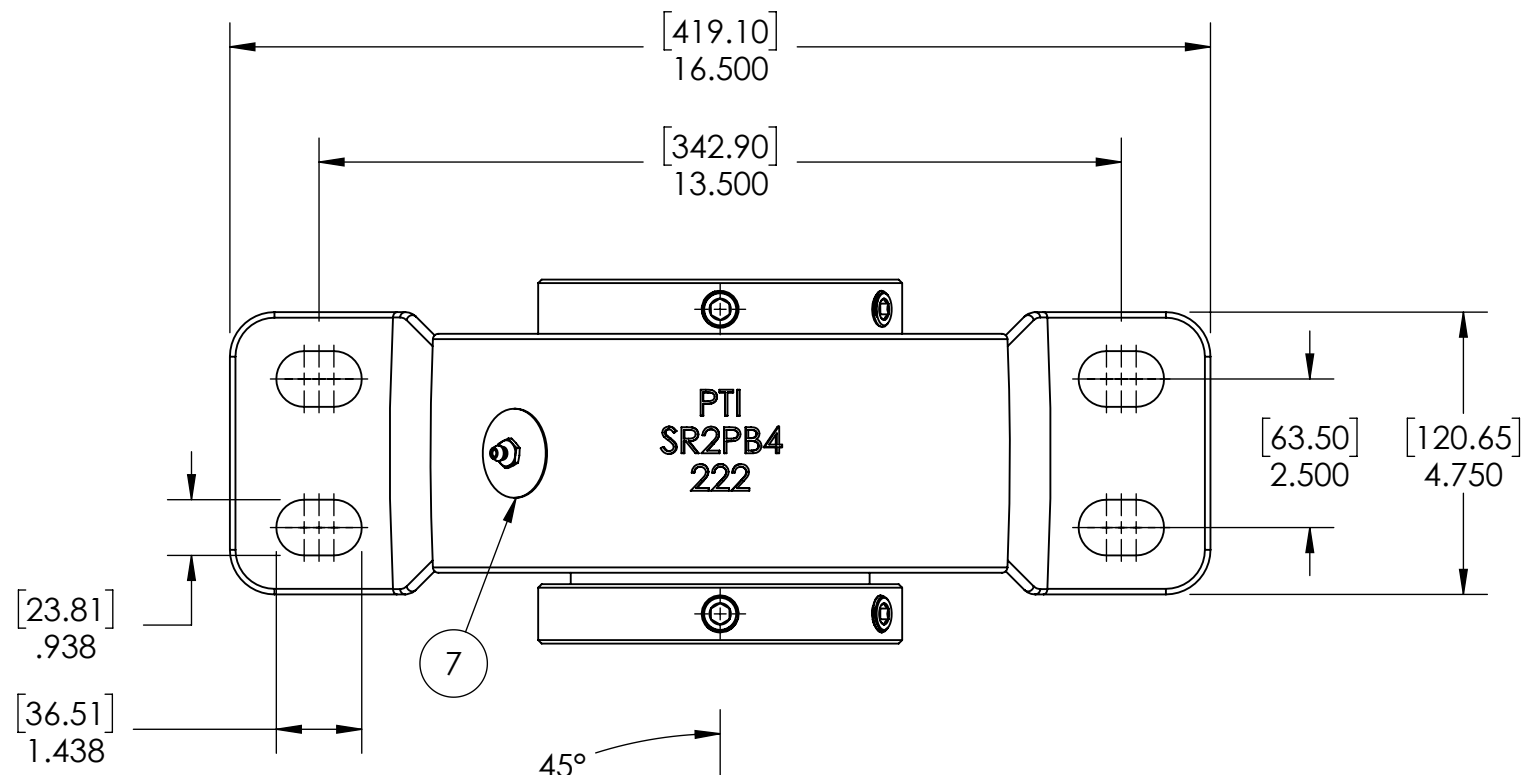


9 8 7 6 5 4 3 2 1

G F E D C B A



SECTION VIEW A-A

ITEM NO.	PART NUMBER	MATERIAL	COATING	QTY.
7	NP-SR2-NE	STEEL	N/A	1
6	1_8-27 ZERK	STEEL	ZINC PLATED	1
5	R3-476222	HNBR	N/A	2
4	OH200	STEEL	N/A	2
3	SR-FR200X9	STEEL	N/A	1
2	476222-408VSB	BEARING STEEL	N/A	1
1	SR2PB4-222	DUCTILE IRON	POWDER COAT	1

SPECIFICATIONS	
UNITS	IN [mm]
LOAD RATINGS	C 94420 LBS Co 134890LBS
SPEED RATING	1040 RPM
GREASE TYPE	NLGI #2
GREASE FILL	40-60%
OPERATING TEMP	-22°F - 290°F
SET SCREW SIZE	5/8-18UNF-7/8
SET SCREW TORQUE	1325 IN-LBS
SET SCREW AXIAL RETENTION	1200 LBS

**SOLVE**  
INDUSTRIAL MOTION GROUP

**PTI**

DWG. NO.

WEIGHT	81.30 LBS
MATERIAL	SEE BOM
COATING	SEE BOM
DRAWN	SEC 03/19/2025
CHECKED	FP 04/15/2025
APPROVED	

DATE	BY	REVISION DESCRIPTION	REV
ITEM DESCRIPTION: SR2-PB4-408R3NE			SCALE 1:7
			REV -

9 8 7 6 5 4 3 2 1

A B C D E F G