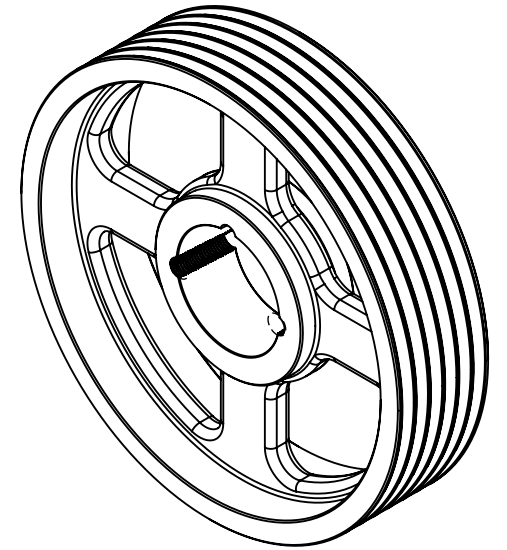
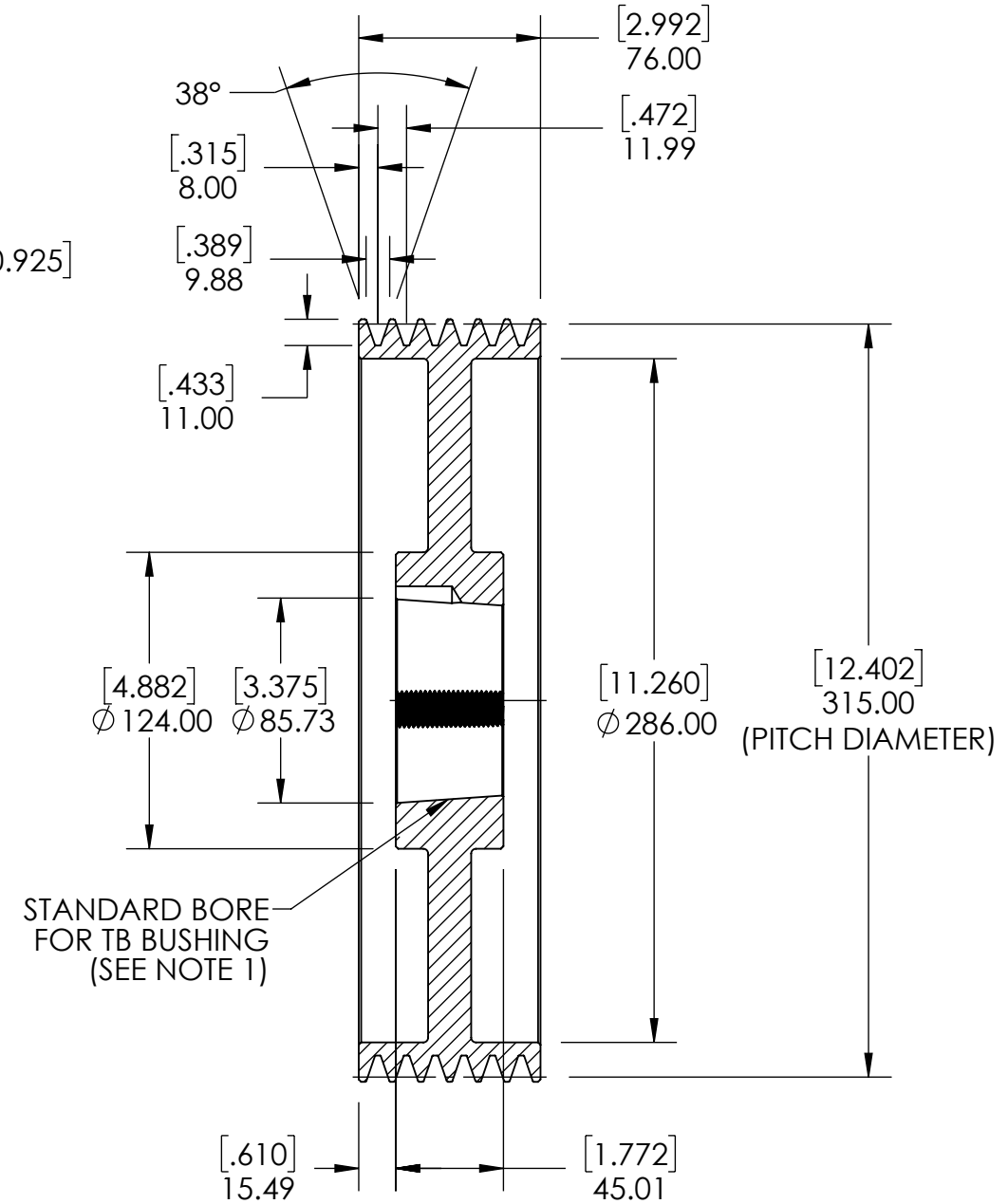
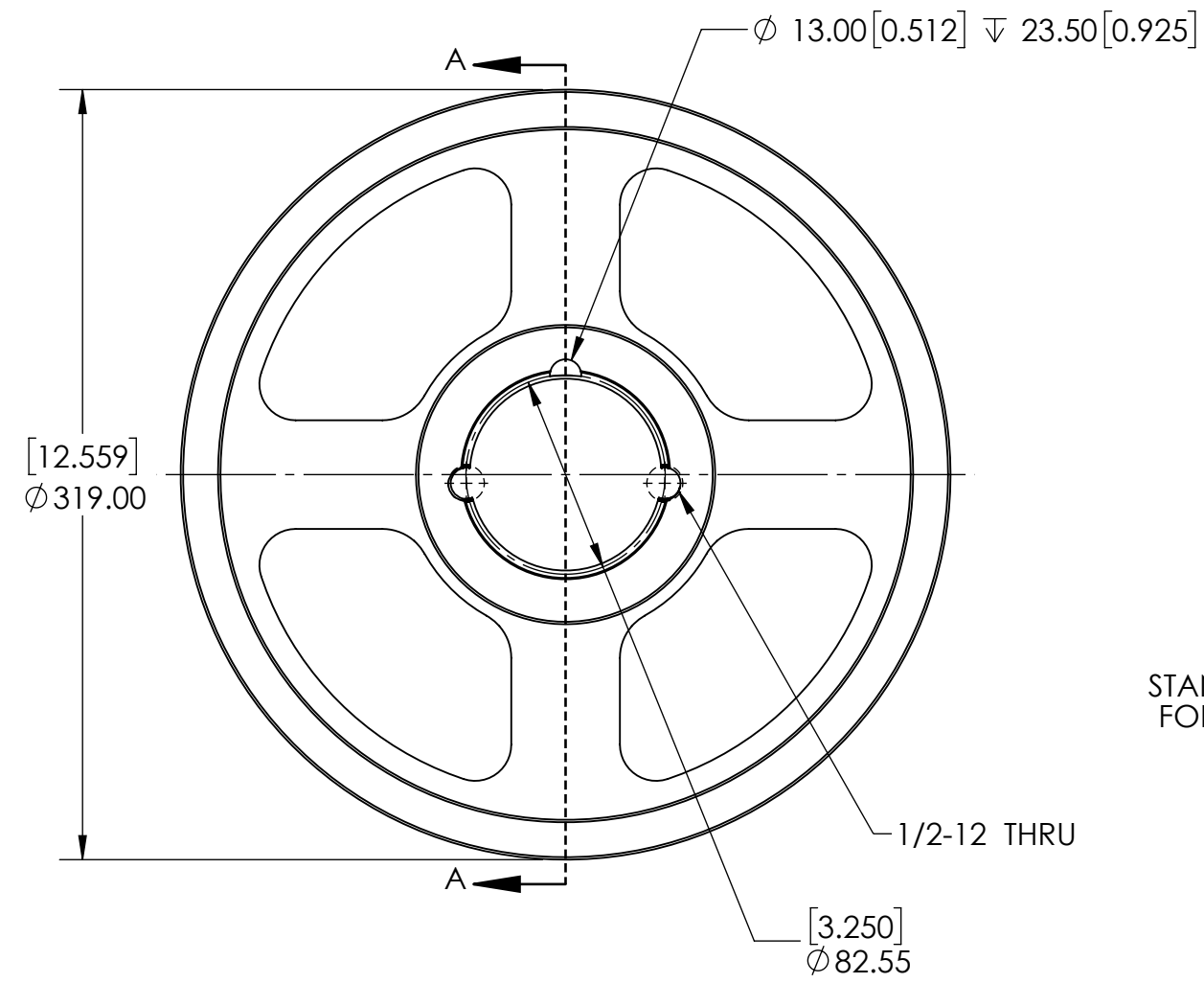


9 8 7 6 5 4 3 2 1

G
F
E
D
C
B
A

G
F
E
D
C
B
A



SECTION A-A

NOTES:
 1. TB BUSHING SIZE: 2517
 2. UNITS: mm [INCHES].

		WEIGHT	10.83 KG					
		MATERIAL	CAST IRON					
		COATING	GREY PAINT					
		DRAWN	MTC	08/29/2025				
SIZE		CHECKED	PT	09/02/2025				
		APPROVED			DATE	BY	REVISION DESCRIPTION	REV
				ITEM DESCRIPTION:				SCALE
DWG. NO.		<small>PROPRIETARY AND CONFIDENTIAL</small> <small>THE INFORMATION CONTAINED IN THIS DRAWING IS THE SOLE PROPERTY OF SOLVE IMG. ANY REPRODUCTION IN PART OR AS A WHOLE WITHOUT THE WRITTEN PERMISSION OF SOLVE IMG IS PROHIBITED.</small>		SPZ315X6-2517				1:3
								REV
								-

9 8 7 6 5 4 3 2 1