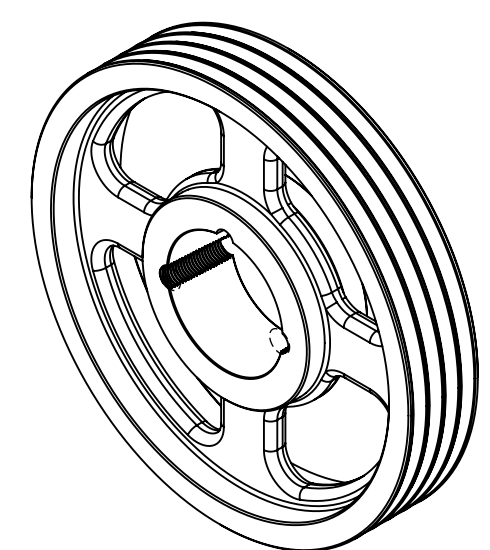
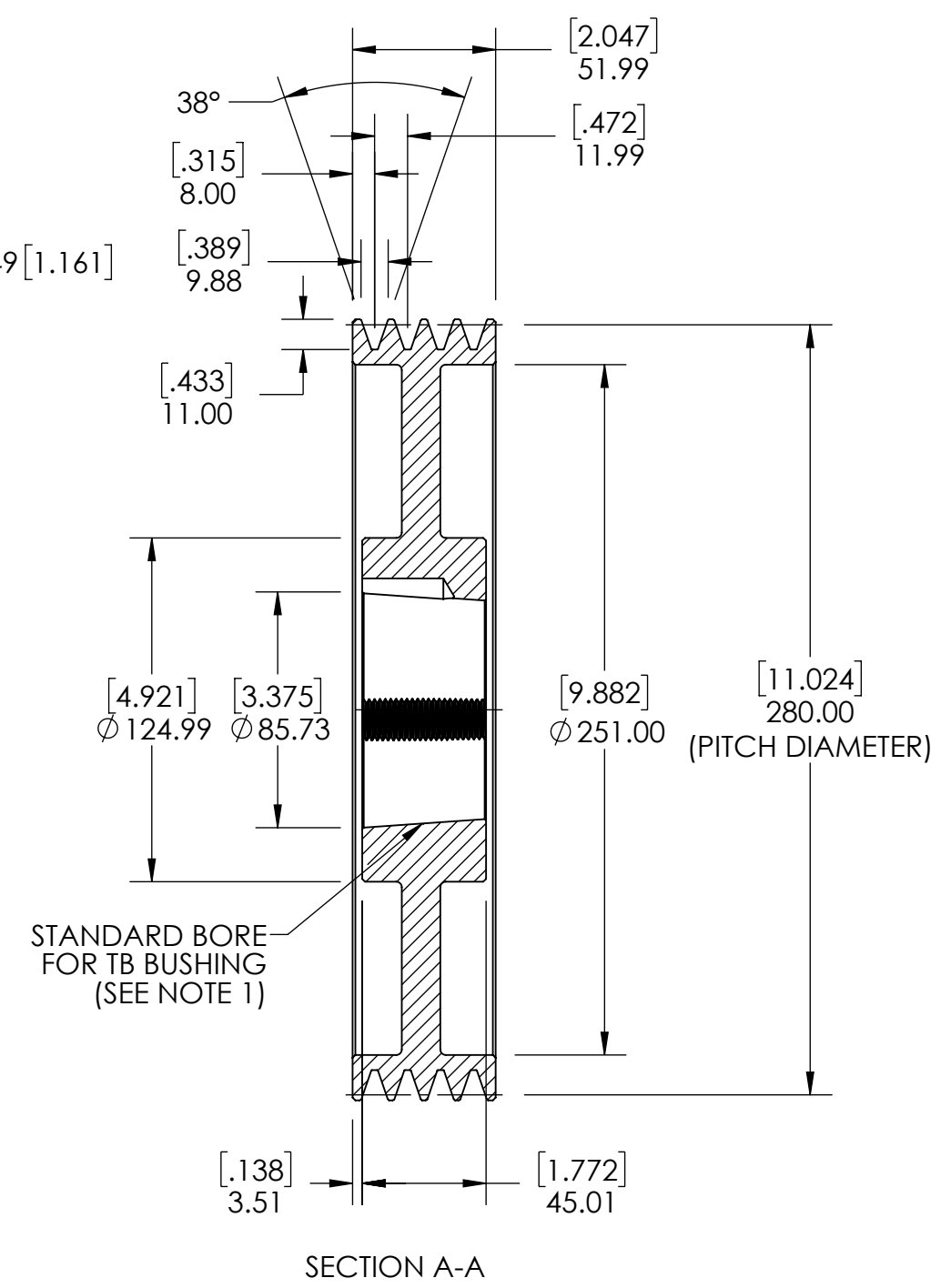
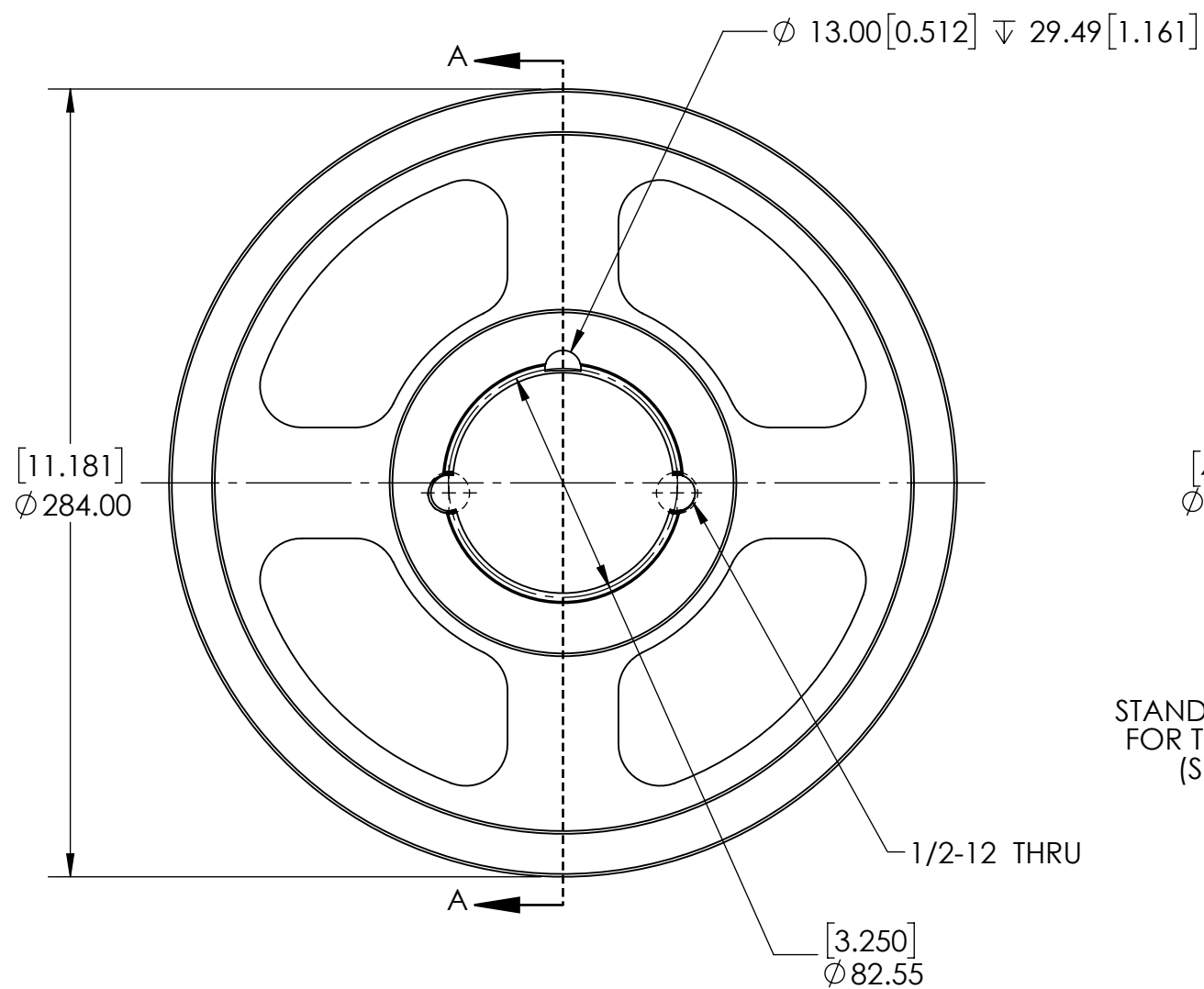


9 8 7 6 5 4 3 2 1

G F E D C B A



NOTES:
 1. TB BUSHING SIZE: 2517
 2. UNITS: mm [INCHES].

		WEIGHT	7.45 KG					
		MATERIAL	CAST IRON					
		COATING	GREY PAINT					
		DRAWN	MTC	08/29/2025				
SIZE	B	CHECKED	PT	09/02/2025				
DWG. NO.		APPROVED			DATE	BY	REVISION DESCRIPTION	REV
				ITEM DESCRIPTION:		SPZ280X4-2517		SCALE
		<small>PROPRIETARY AND CONFIDENTIAL THE INFORMATION CONTAINED IN THIS DRAWING IS THE SOLE PROPERTY OF SOLVE IMG. ANY REPRODUCTION IN PART OR AS A WHOLE WITHOUT THE WRITTEN PERMISSION OF SOLVE IMG IS PROHIBITED.</small>						REV
								-

9 8 7 6 5 4 3 2 1

A