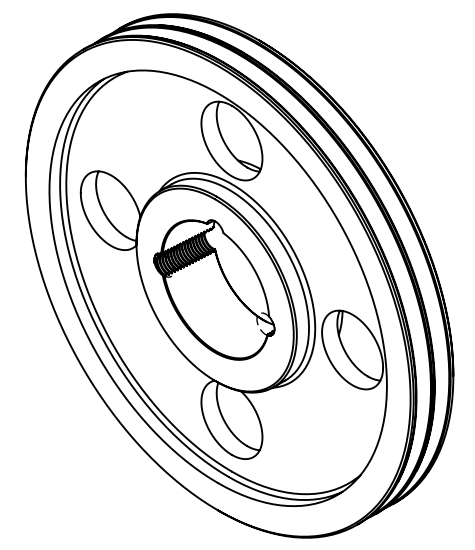
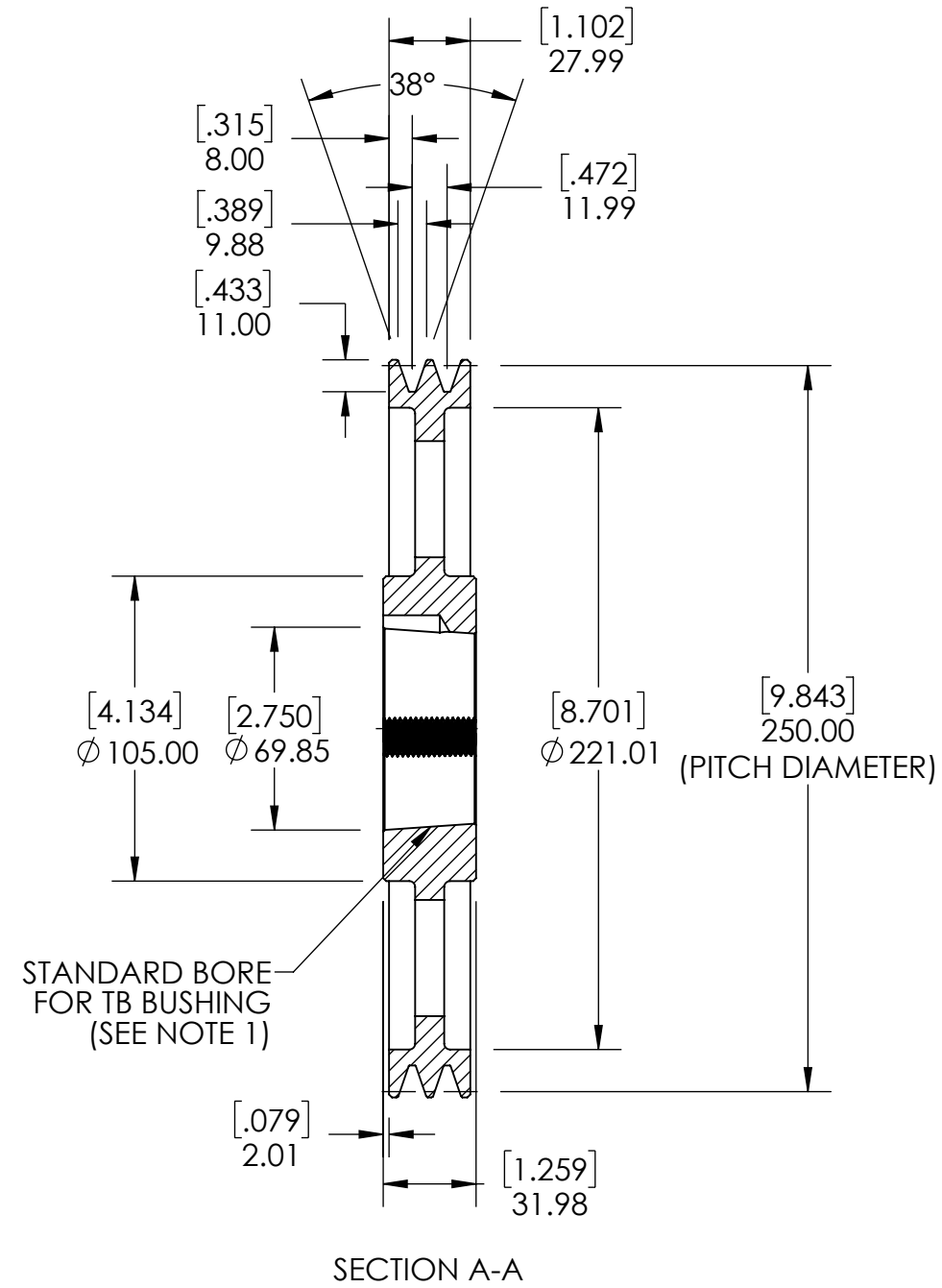
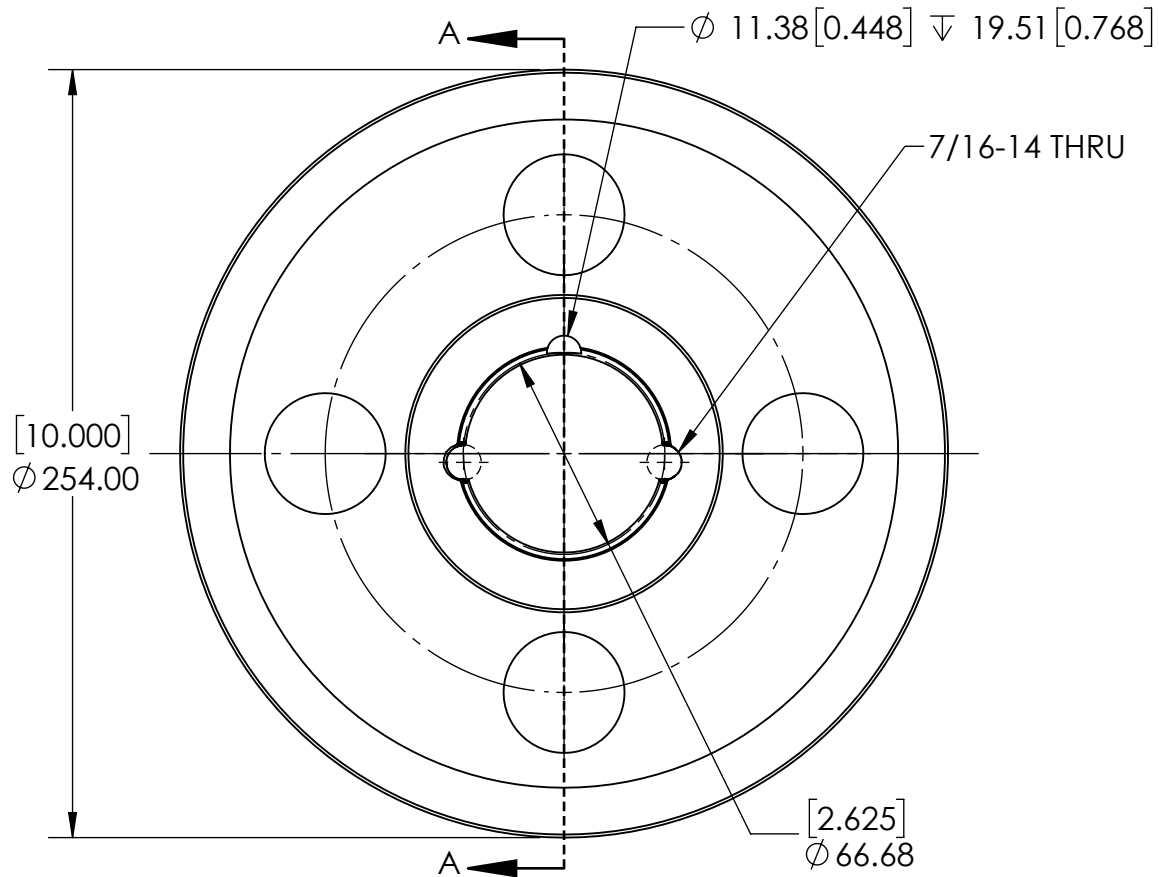


9 8 7 6 5 4 3 2 1

G  
F  
E  
D  
C  
B  
A

G  
F  
E  
D  
C  
B  
A



NOTES:  
 1. TB BUSHING SIZE: 2012  
 2. UNITS: mm [INCHES].

		WEIGHT	4.65 KG				
		MATERIAL	CAST IRON				
SIZE B		COATING	GREY PAINT				
		DRAWN	MTC 08/29/2025				
DWG. NO.		CHECKED	PT 09/02/2025				
		APPROVED		DATE	BY	REVISION DESCRIPTION	REV
		PROPRIETARY AND CONFIDENTIAL <small>THE INFORMATION CONTAINED IN THIS DRAWING IS THE SOLE PROPERTY OF SOLVE IMG. ANY REPRODUCTION IN PART OR AS A WHOLE WITHOUT THE WRITTEN PERMISSION OF SOLVE IMG IS PROHIBITED.</small>		ITEM DESCRIPTION:		SCALE	1:2.5
		SPZ250X2-2012		REV	-		

9 8 7 6 5 4 3 2 1