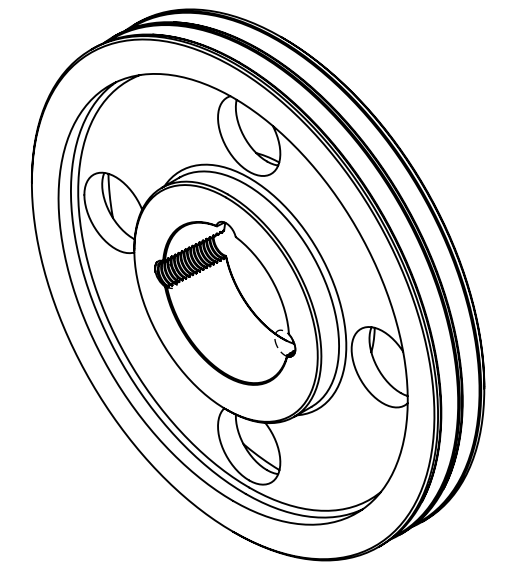
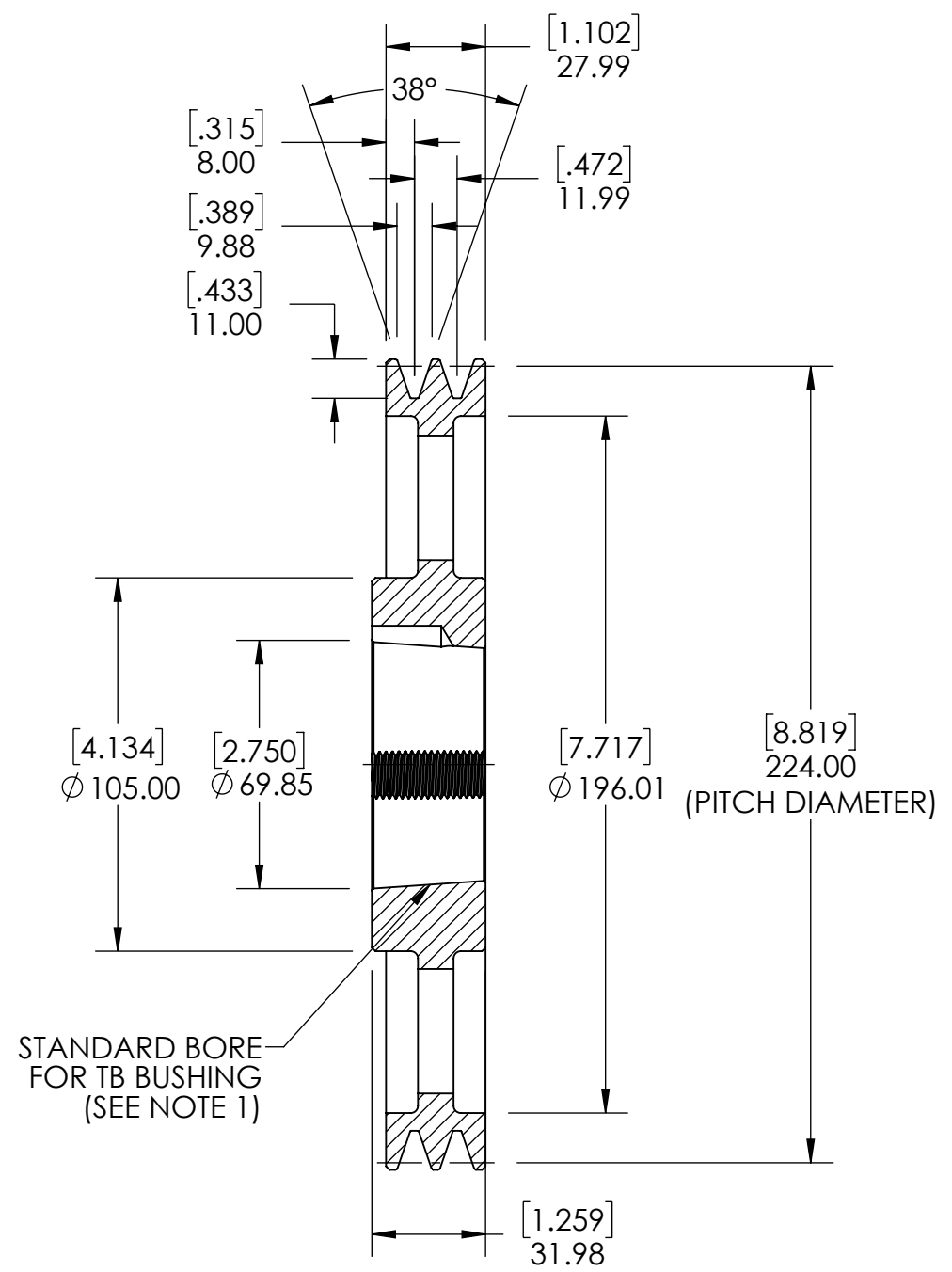
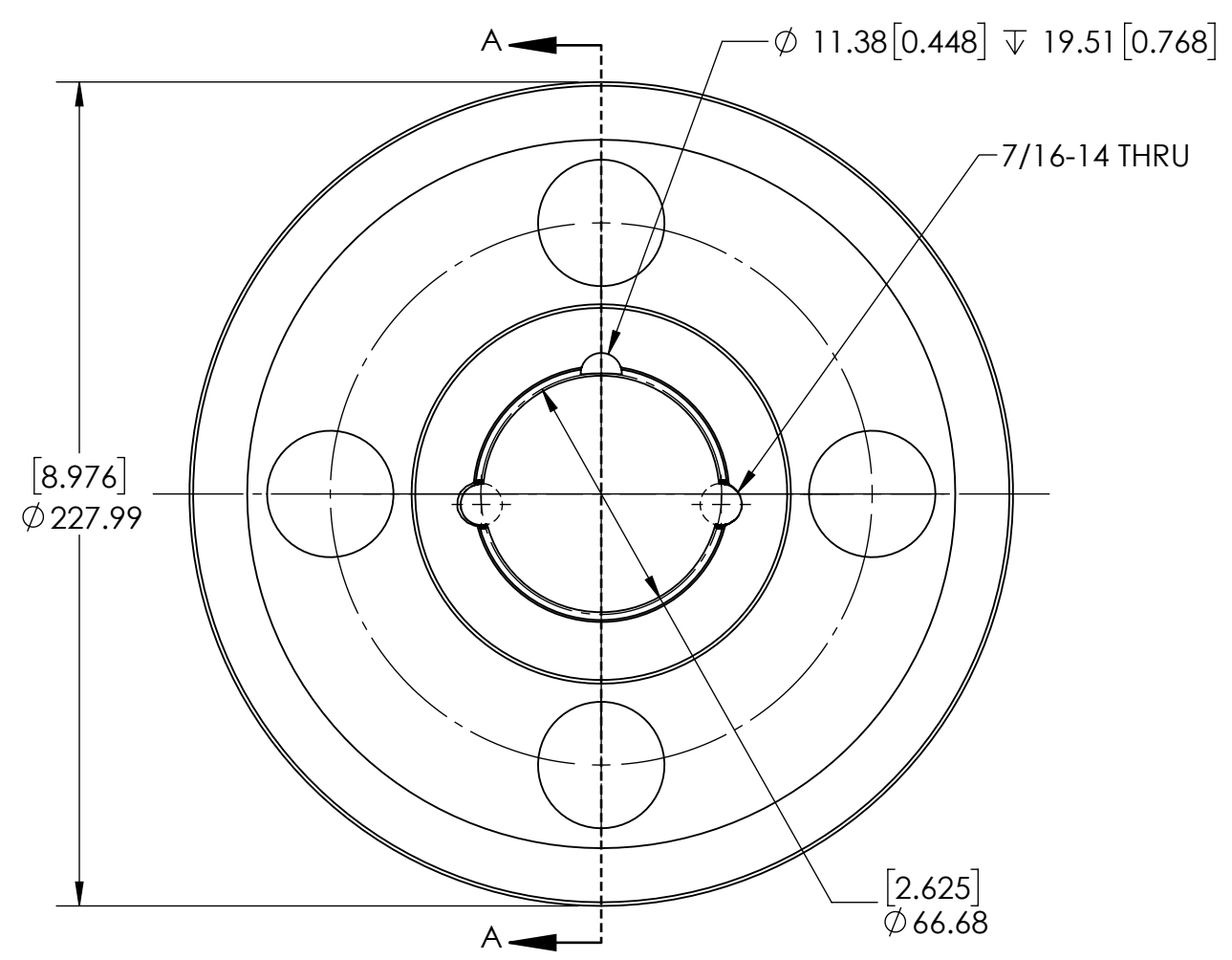


9 8 7 6 5 4 3 2 1

G F E D C B A



SECTION A-A

NOTES:  
 1. TB BUSHING SIZE: 2012  
 2. UNITS: mm [INCHES].

<b>SOLVE</b> INDUSTRIAL MOTION GROUP		WEIGHT	3.89 KG				
		MATERIAL	CAST IRON				
		COATING	GREY PAINT				
		DRAWN	MTC 08/29/2025				
		CHECKED	PT 09/02/2025				
		APPROVED		DATE	BY	REVISION DESCRIPTION	REV
SIZE	<b>PTI</b>	THIRD ANGLE PROJECTION		ITEM DESCRIPTION:			SCALE
DWG. NO.	PROPRIETARY AND CONFIDENTIAL	THE INFORMATION CONTAINED IN THIS DRAWING IS THE SOLE PROPERTY OF SOLVE IMG. ANY REPRODUCTION IN PART OR AS A WHOLE WITHOUT THE WRITTEN PERMISSION OF SOLVE IMG IS PROHIBITED.		SPZ224X2-2012			1:2
							REV -

9 8 7 6 5 4 3 2 1

A