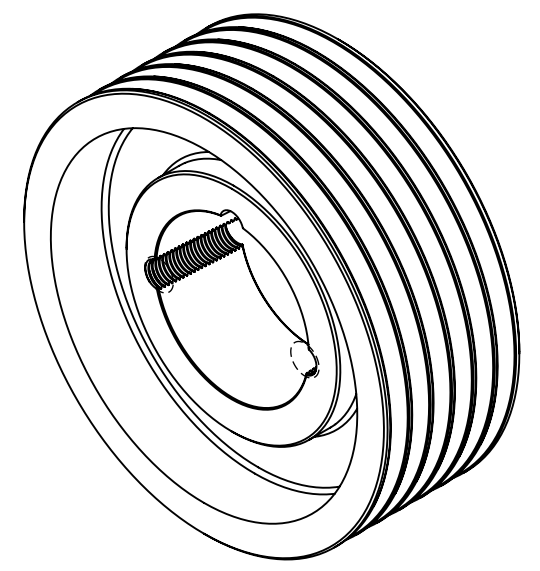
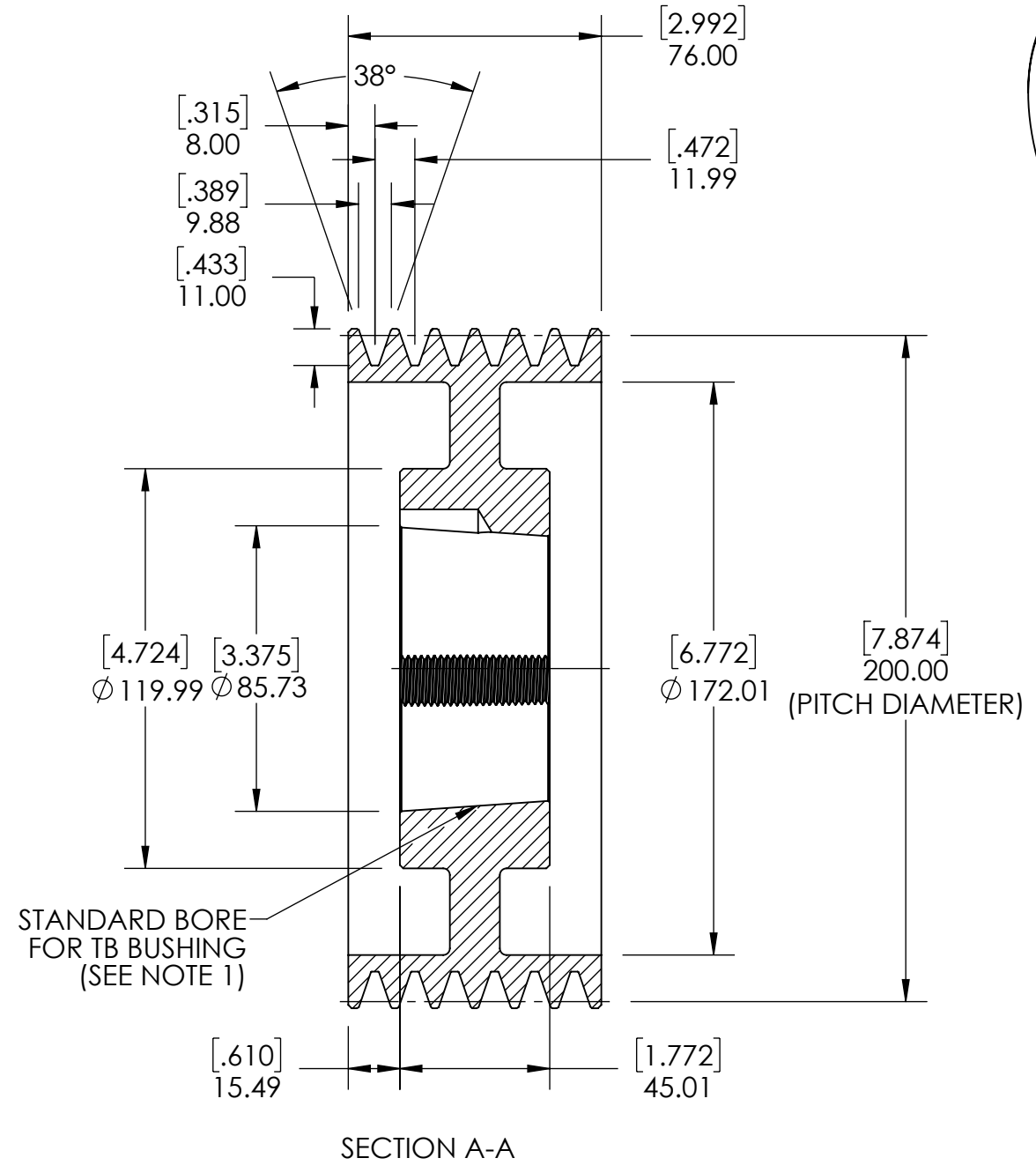
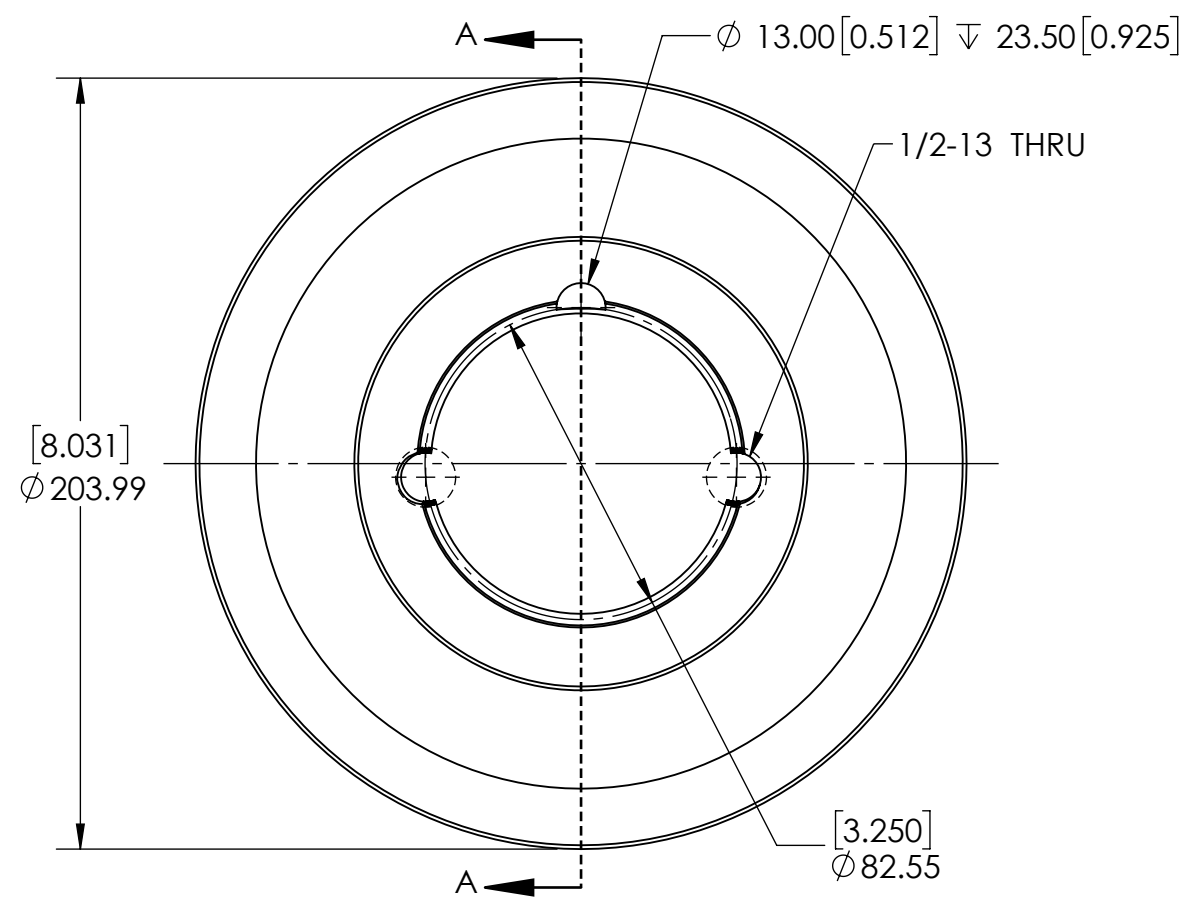


9 8 7 6 5 4 3 2 1

G
F
E
D
C
B
A

G
F
E
D
C
B
A



STANDARD BORE
FOR TB BUSHING
(SEE NOTE 1)

SECTION A-A

NOTES:
1. TB BUSHING SIZE: 2517
2. UNITS: mm [INCHES].

SOLVE INDUSTRIAL MOTION GROUP		WEIGHT	6.55 KG				
		MATERIAL	CAST IRON				
		COATING	GREY PAINT				
		DRAWN	MTC	08/29/2025			
		CHECKED	PT	09/02/2025			
		APPROVED			DATE	BY	REVISION DESCRIPTION
SIZE	B						
		THIRD ANGLE PROJECTION		ITEM DESCRIPTION:		REV	SCALE
DWG. NO.		PROPRIETARY AND CONFIDENTIAL THE INFORMATION CONTAINED IN THIS DRAWING IS THE SOLE PROPERTY OF SOLVE IMG. ANY REPRODUCTION IN PART OR AS A WHOLE WITHOUT THE WRITTEN PERMISSION OF SOLVE IMG IS PROHIBITED.		SPZ200X6-2517		1:2	
						REV	

9 8 7 6 5 4 3 2 1