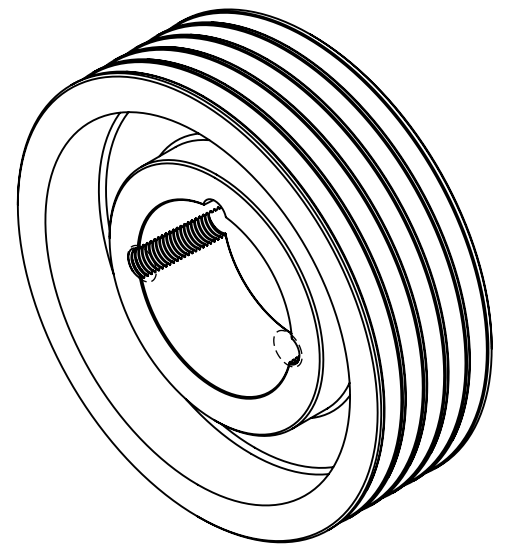
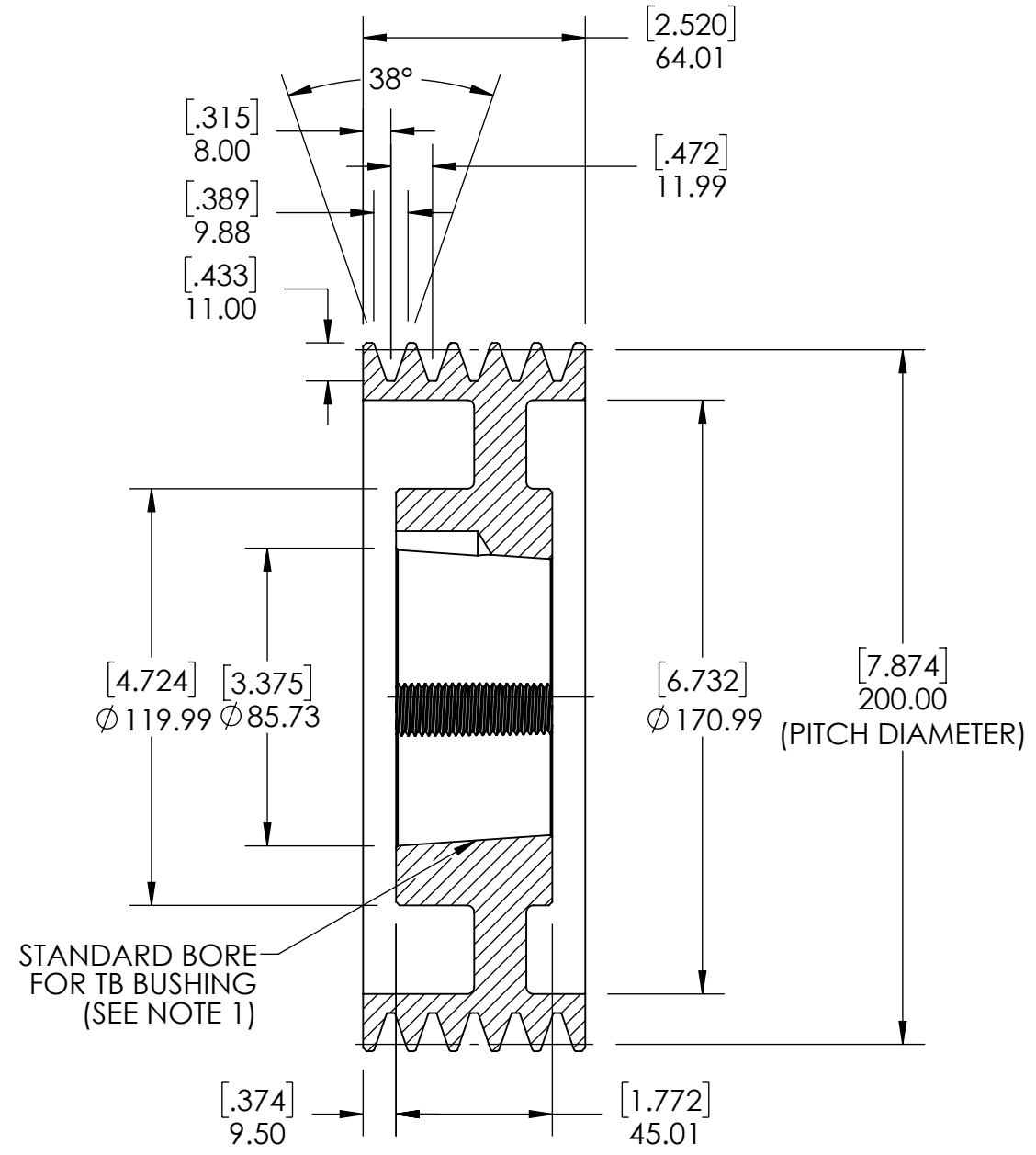
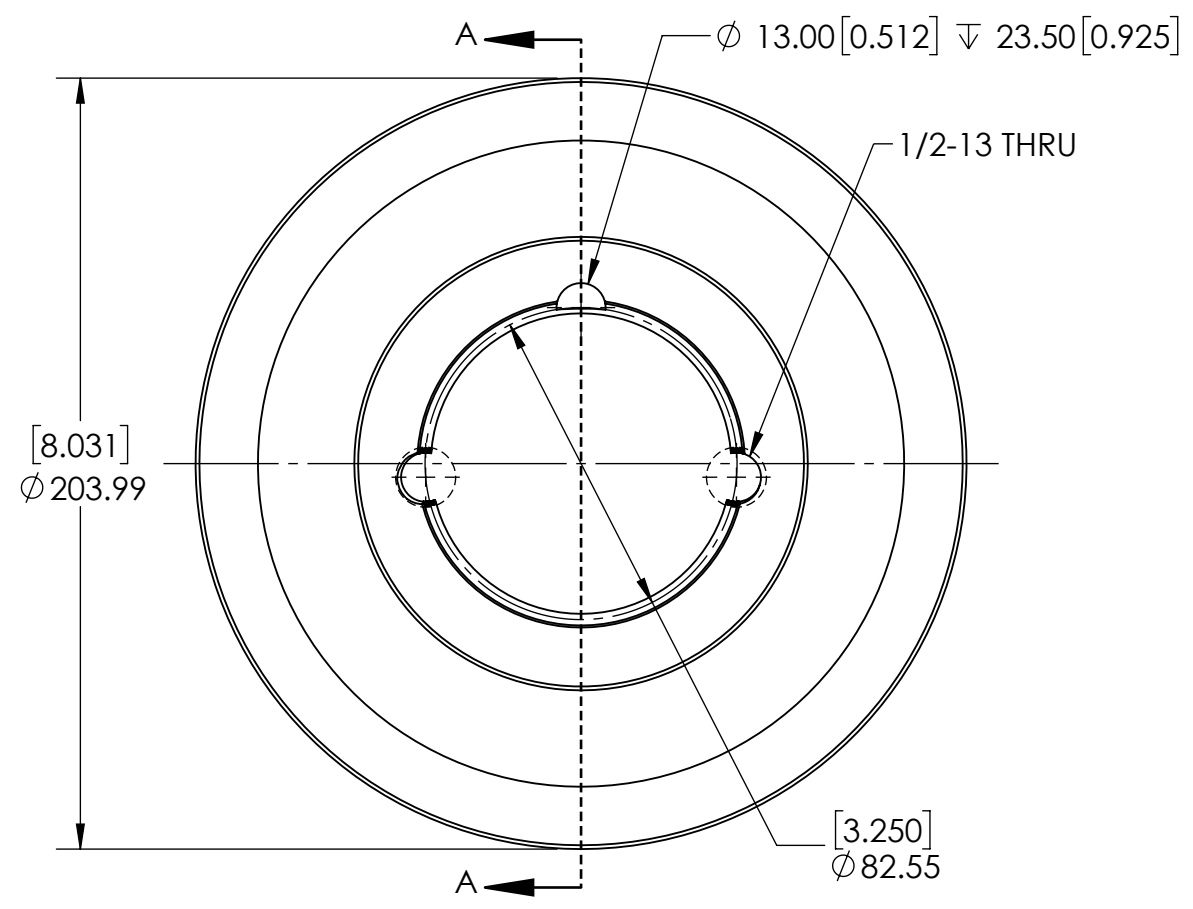


9 8 7 6 5 4 3 2 1

G  
F  
E  
D  
C  
B  
A

G  
F  
E  
D  
C  
B  
A



SECTION A-A

NOTES:  
 1. TB BUSHING SIZE: 2517  
 2. UNITS: mm [INCHES].

<b>SOLVE</b> INDUSTRIAL MOTION GROUP		WEIGHT	6.12 KG					
		MATERIAL	CAST IRON					
		COATING	GREY PAINT					
		DRAWN	MTC	08/29/2025				
		CHECKED	PT	09/02/2025				
		APPROVED			DATE	BY	REVISION DESCRIPTION	REV
SIZE	<b>PTI</b>							SCALE
DWG. NO.		PROPRIETARY AND CONFIDENTIAL		ITEM DESCRIPTION:		SPZ200X5-2517		1:2
		THE INFORMATION CONTAINED IN THIS DRAWING IS THE SOLE PROPERTY OF SOLVE IMG. ANY REPRODUCTION IN PART OR AS A WHOLE WITHOUT THE WRITTEN PERMISSION OF SOLVE IMG IS PROHIBITED.						REV
								-

9 8 7 6 5 4 3 2 1