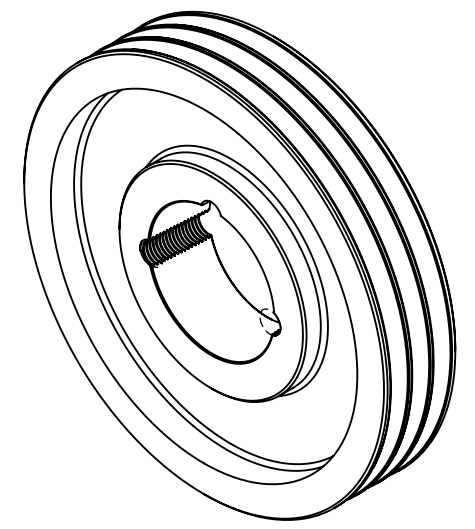
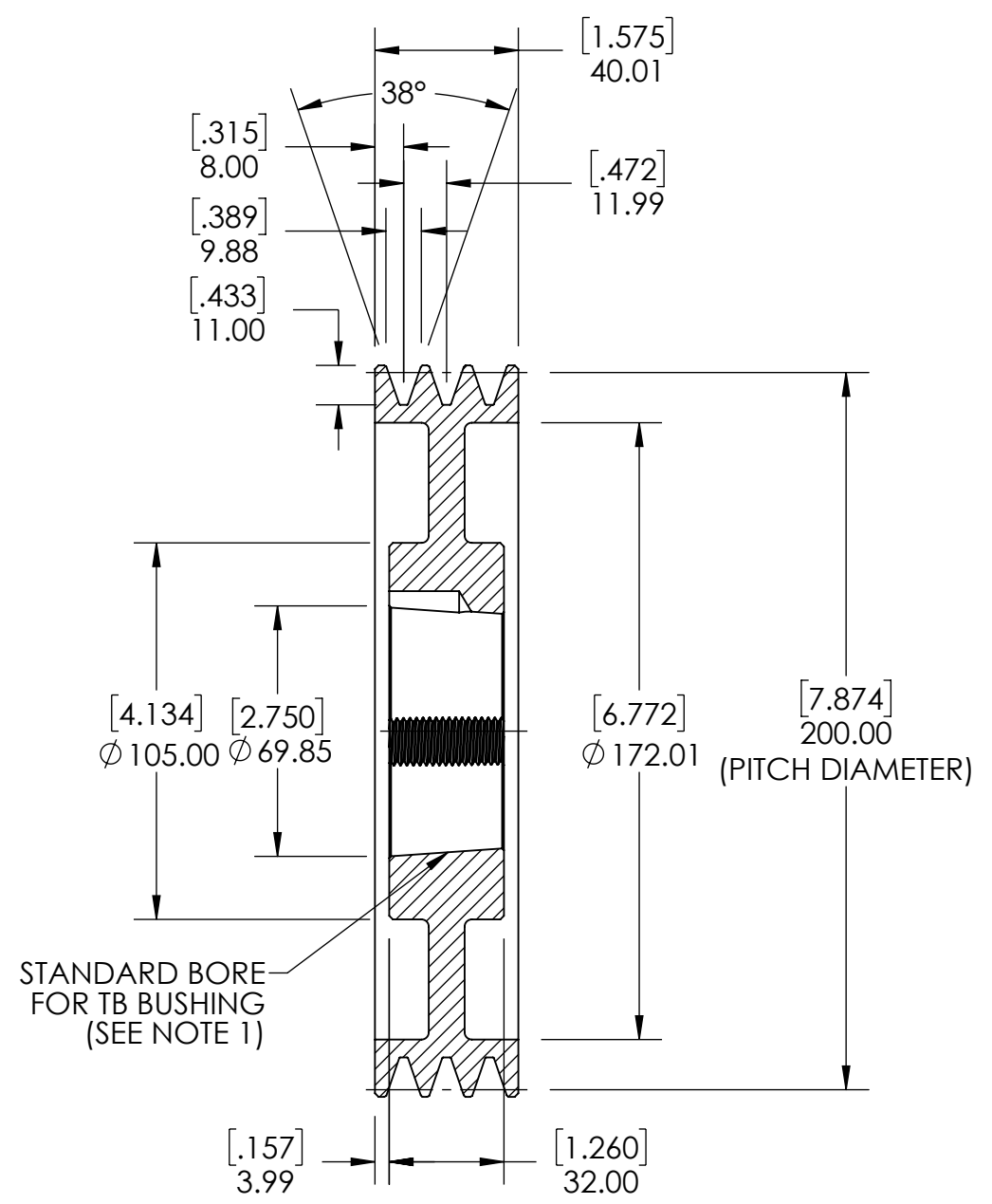
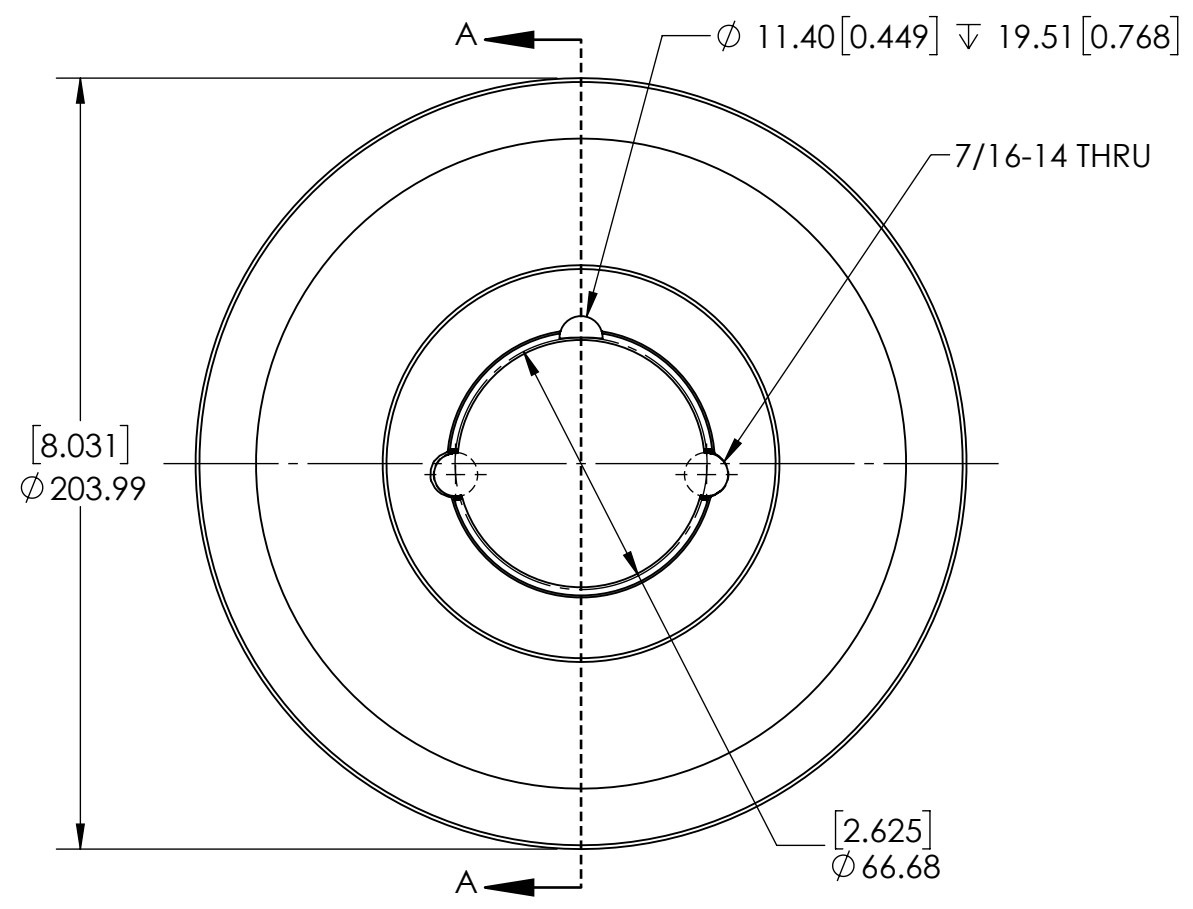


9 8 7 6 5 4 3 2 1

G
F
E
D
C
B
A

G
F
E
D
C
B
A



SECTION A-A

NOTES:
1. TB BUSHING SIZE: 2012
2. UNITS: mm [INCHES].

SOLVE INDUSTRIAL MOTION GROUP		WEIGHT	4.02 KG				
		MATERIAL	CAST IRON				
		COATING	GREY PAINT				
		DRAWN	MTC	08/29/2025			
		CHECKED	PT	09/02/2025			
		APPROVED			DATE	BY	REVISION DESCRIPTION
SIZE	B						
						ITEM DESCRIPTION:	REV
						SPZ200X3-2012	SCALE
							1:2
							REV
							-

9 8 7 6 5 4 3 2 1