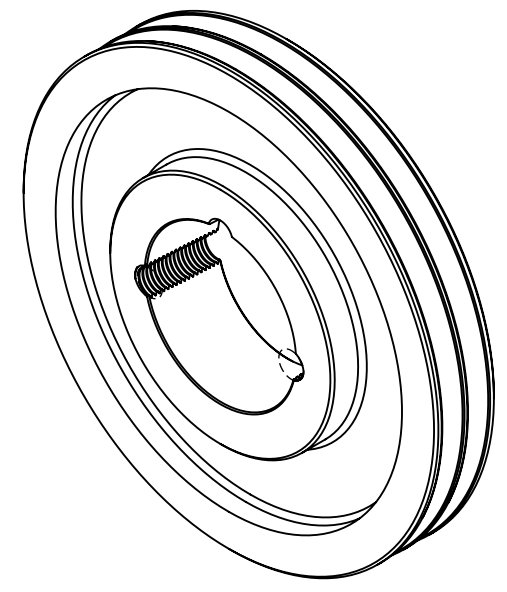
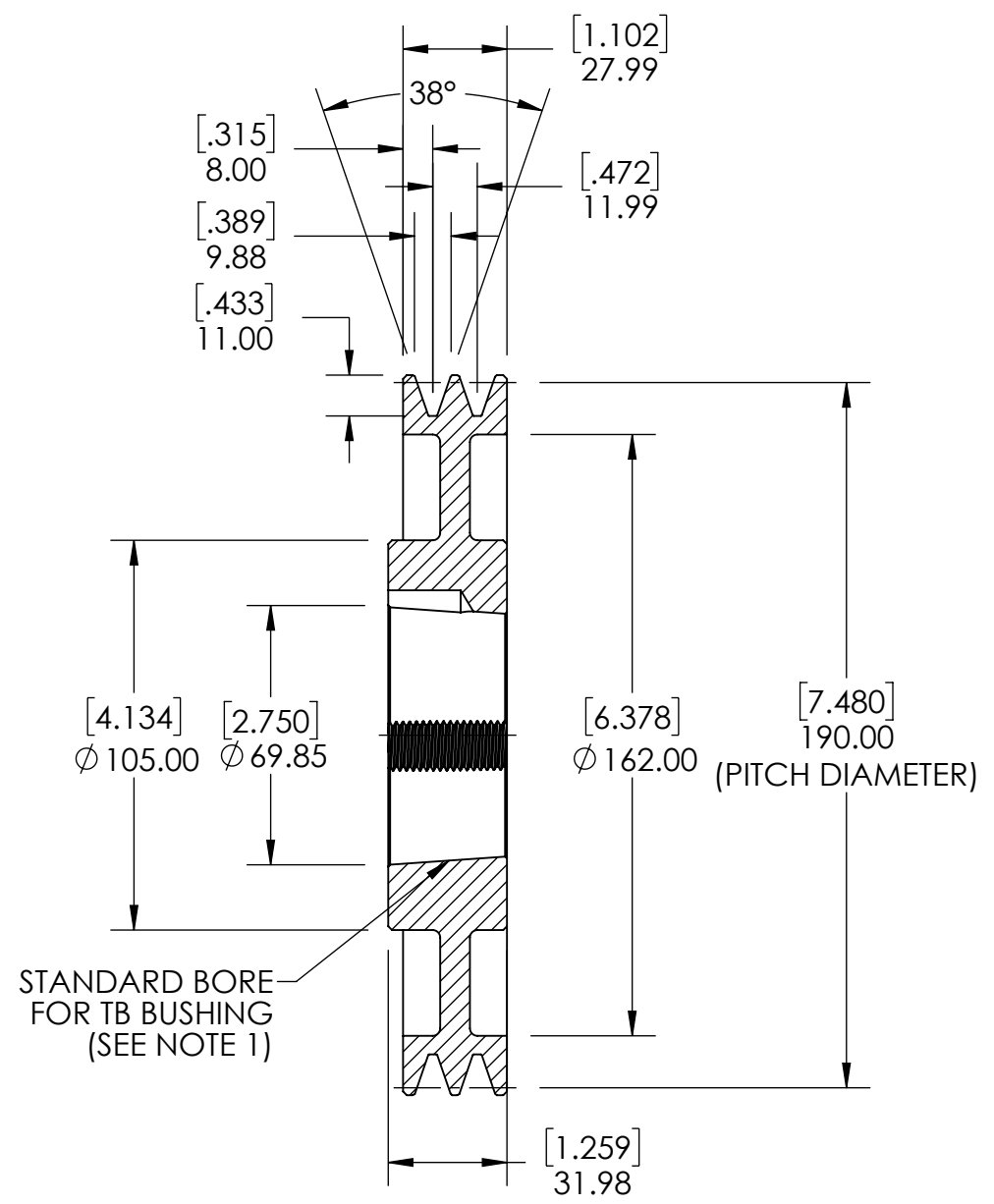
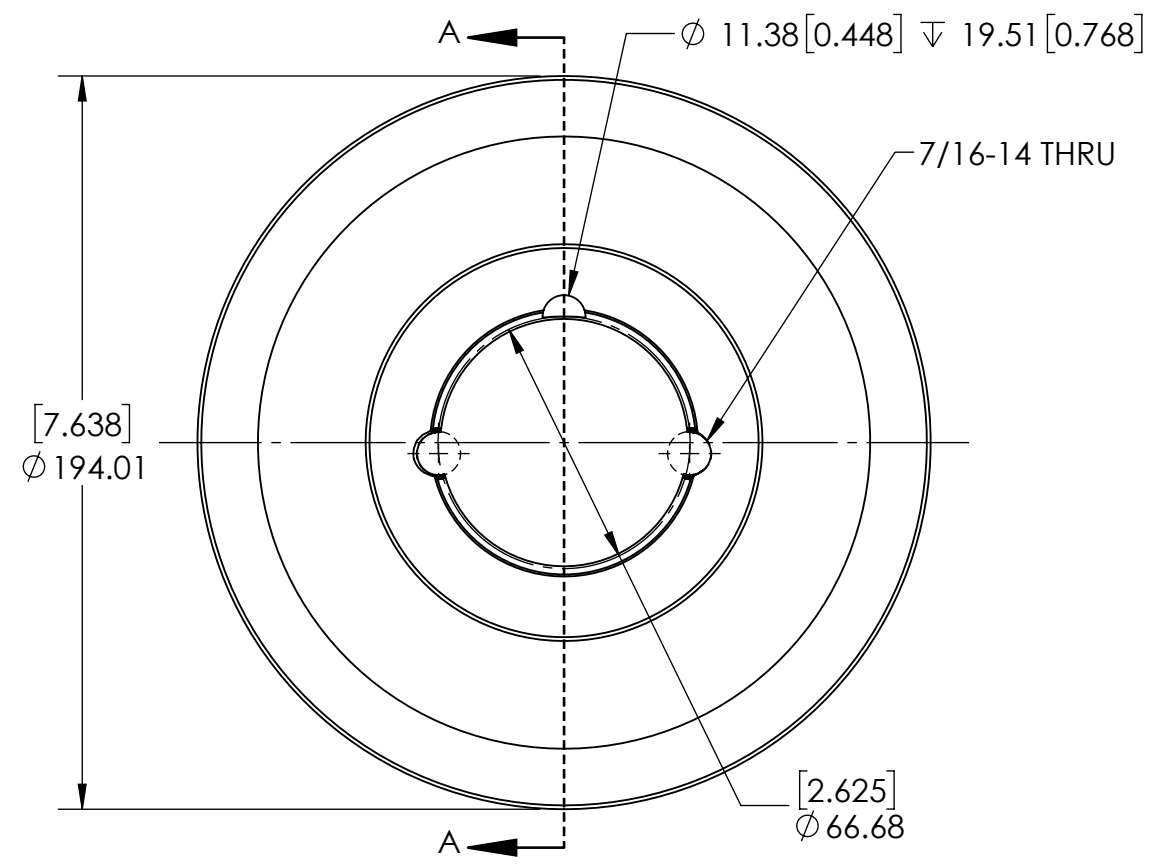


9 8 7 6 5 4 3 2 1

G
F
E
D
C
B
A

G
F
E
D
C
B
A



SECTION A-A

STANDARD BORE FOR TB BUSHING (SEE NOTE 1)

NOTES:
1. TB BUSHING SIZE: 2012
2. UNITS: mm [INCHES].

		WEIGHT	3.07 KG				
		MATERIAL	CAST IRON				
SIZE B		COATING	GREY PAINT				
		DRAWN	MTC 08/29/2025				
DWG. NO.		CHECKED	PT 09/02/2025				
		APPROVED		DATE	BY	REVISION DESCRIPTION	REV
		PROPRIETARY AND CONFIDENTIAL <small>THE INFORMATION CONTAINED IN THIS DRAWING IS THE SOLE PROPERTY OF SOLVE IMG. ANY REPRODUCTION IN PART OR AS A WHOLE WITHOUT THE WRITTEN PERMISSION OF SOLVE IMG IS PROHIBITED.</small>		ITEM DESCRIPTION:		SCALE	
		SPZ190X2-2012		1:2			

9 8 7 6 5 4 3 2 1