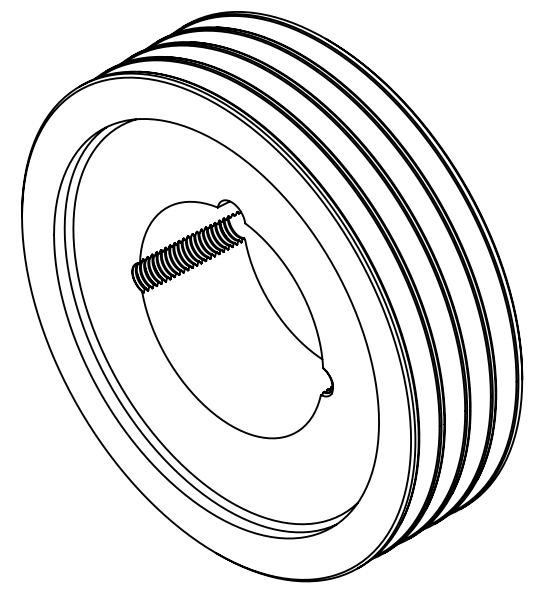
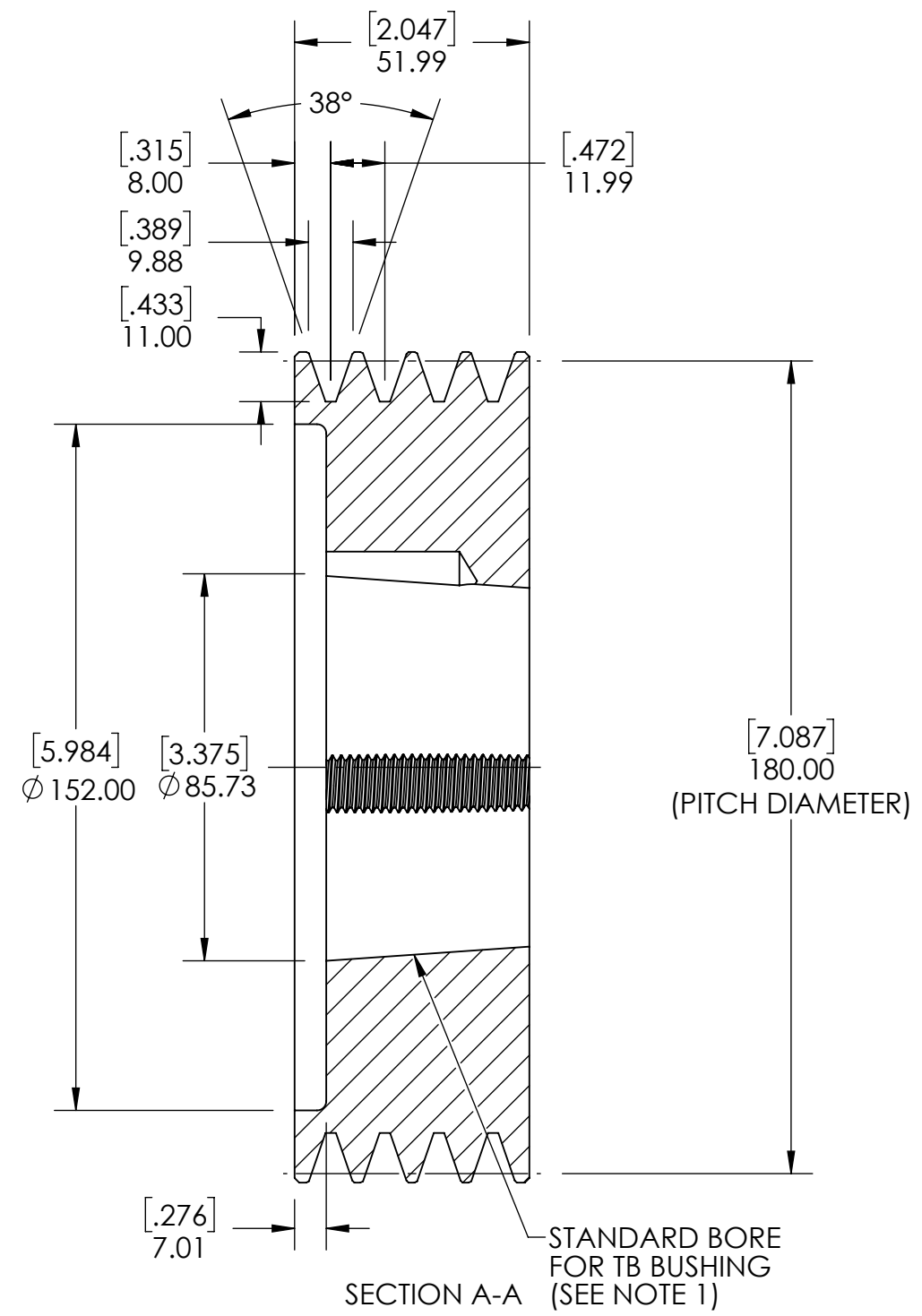
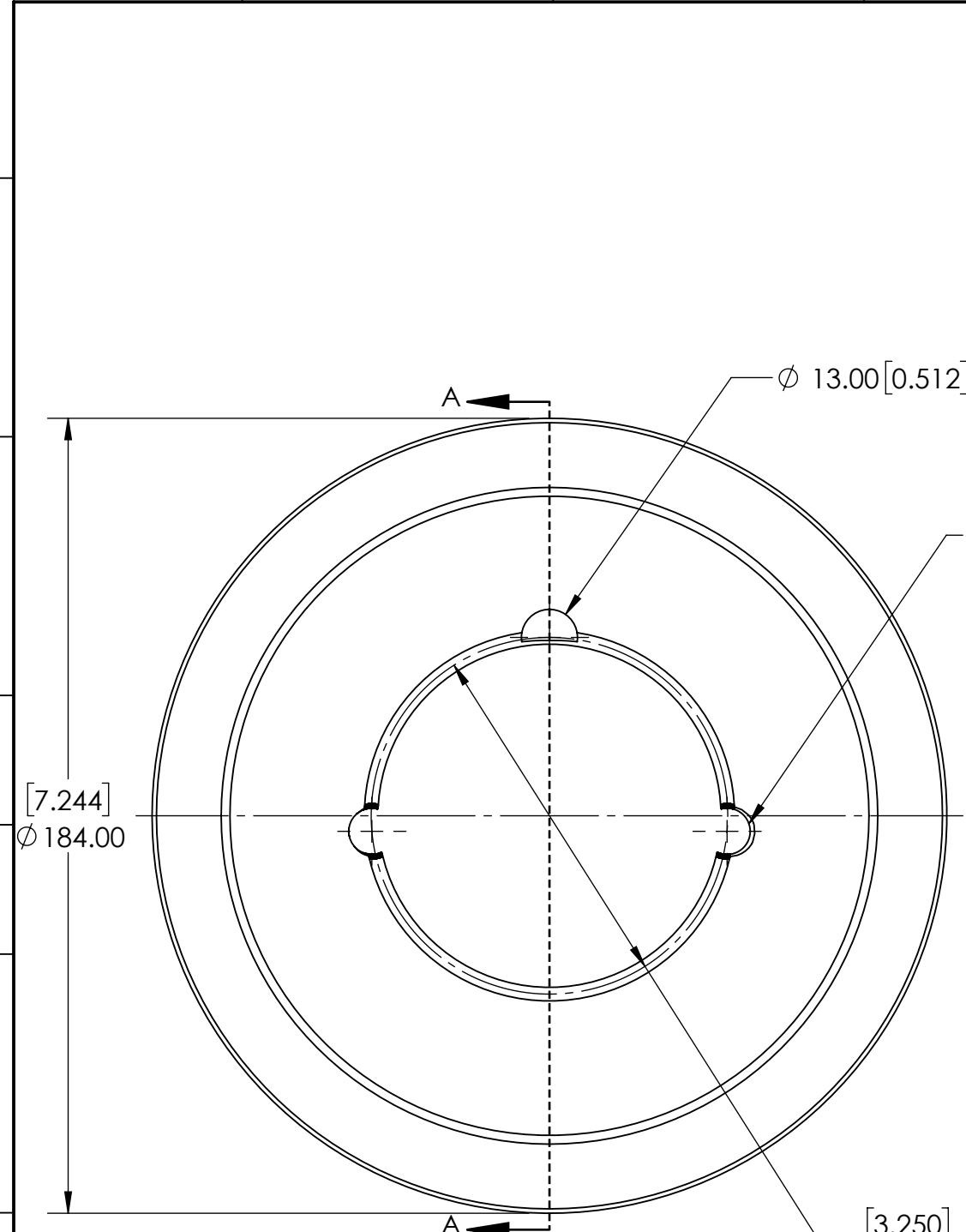


9 8 7 6 5 4 3 2 1

G F E D C B A



NOTES:  
 1. TB BUSHING SIZE: 2517  
 2. UNITS: mm[INCHES].

<b>SOLVE</b> INDUSTRIAL MOTION GROUP		WEIGHT	6.19 KG					
		MATERIAL	CAST IRON					
		COATING	GREY PAINT					
		DRAWN	MTC	08/29/2025				
		CHECKED	PT	09/02/2025				
		APPROVED			DATE	BY	REVISION DESCRIPTION	REV
SIZE	<b>PTI</b>	THIRD ANGLE PROJECTION		ITEM DESCRIPTION:				SCALE
DWG. NO.		PROPRIETARY AND CONFIDENTIAL		SPZ180X4-2517				1:1.5
		THE INFORMATION CONTAINED IN THIS DRAWING IS THE SOLE PROPERTY OF SOLVE IMG. ANY REPRODUCTION IN PART OR AS A WHOLE WITHOUT THE WRITTEN PERMISSION OF SOLVE IMG IS PROHIBITED.						REV
								-

9 8 7 6 5 4 3 2 1

A