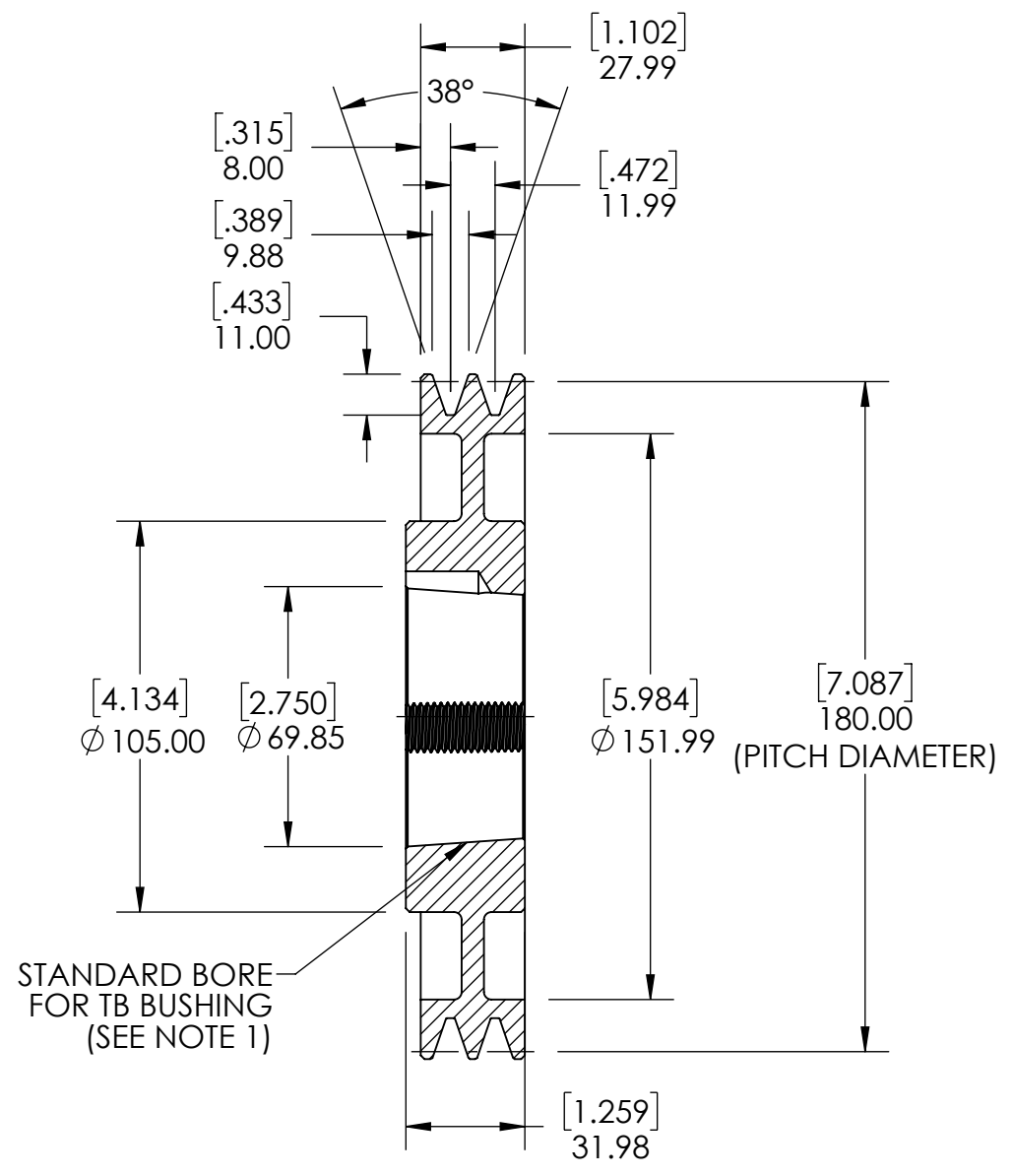
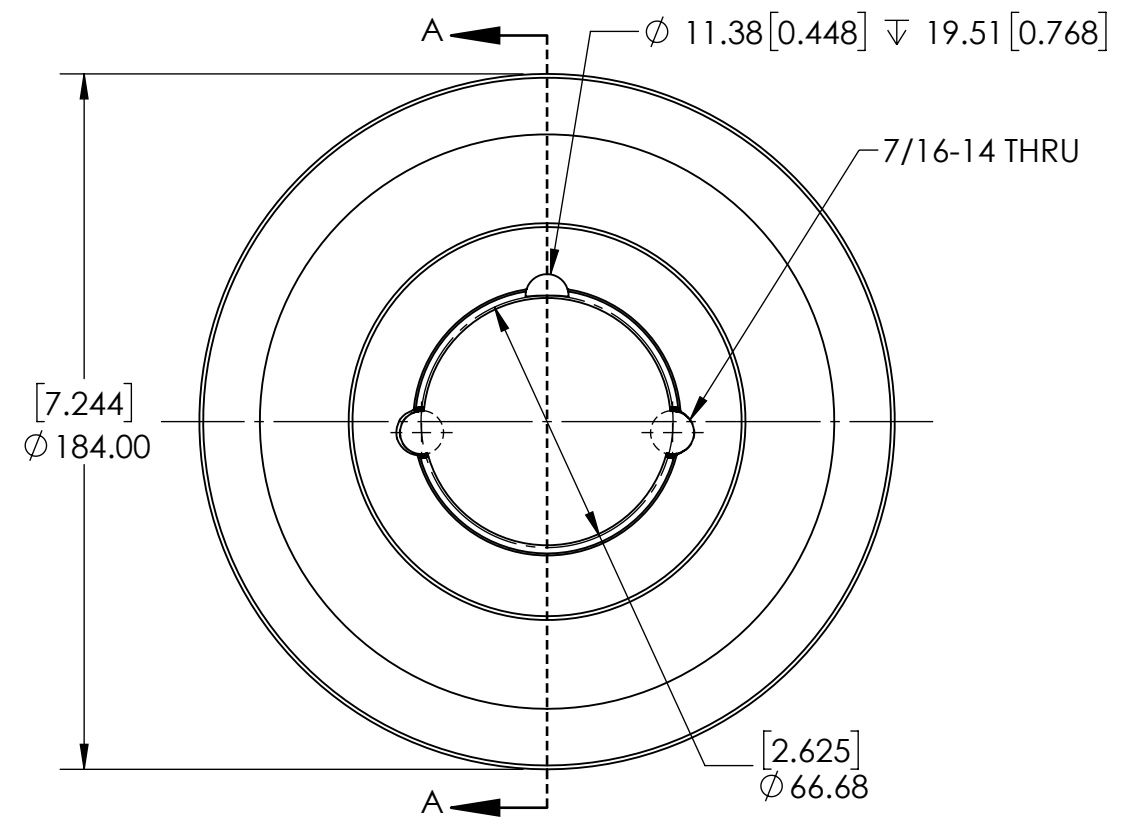
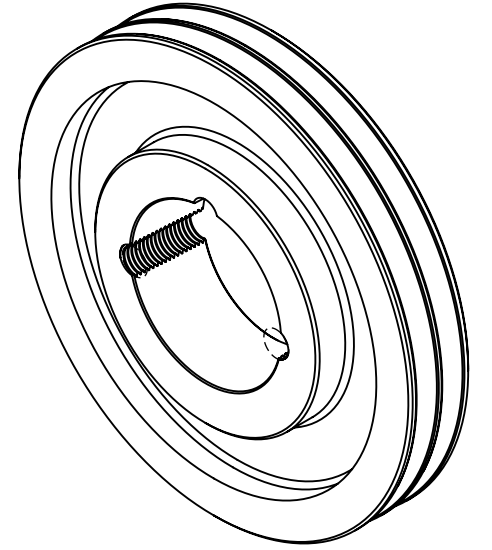


9 8 7 6 5 4 3 2 1

G
F
E
D
C
B
A

G
F
E
D
C
B
A



SECTION A-A

NOTES:
 1. TB BUSHING SIZE: 2012
 2. UNITS: mm [INCHES].

		WEIGHT	2.72 KG					
		MATERIAL	CAST IRON					
SIZE B		COATING	GREY PAINT					
		DRAWN	MTC	08/29/2025				
		CHECKED	PT	09/02/2025				
		APPROVED						
DWG. NO.				DATE	BY	REVISION DESCRIPTION		REV
				ITEM DESCRIPTION:		SPZ180X2-2012		SCALE
		<small>PROPRIETARY AND CONFIDENTIAL</small> <small>THE INFORMATION CONTAINED IN THIS DRAWING IS THE SOLE PROPERTY OF SOLVE IMG. ANY REPRODUCTION IN PART OR AS A WHOLE WITHOUT THE WRITTEN PERMISSION OF SOLVE IMG IS PROHIBITED.</small>						REV
								-

9 8 7 6 5 4 3 2 1