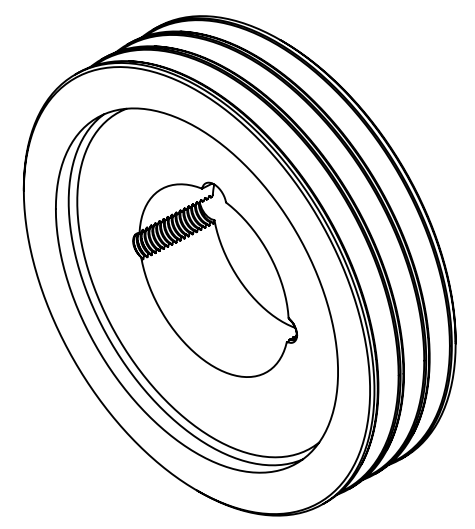
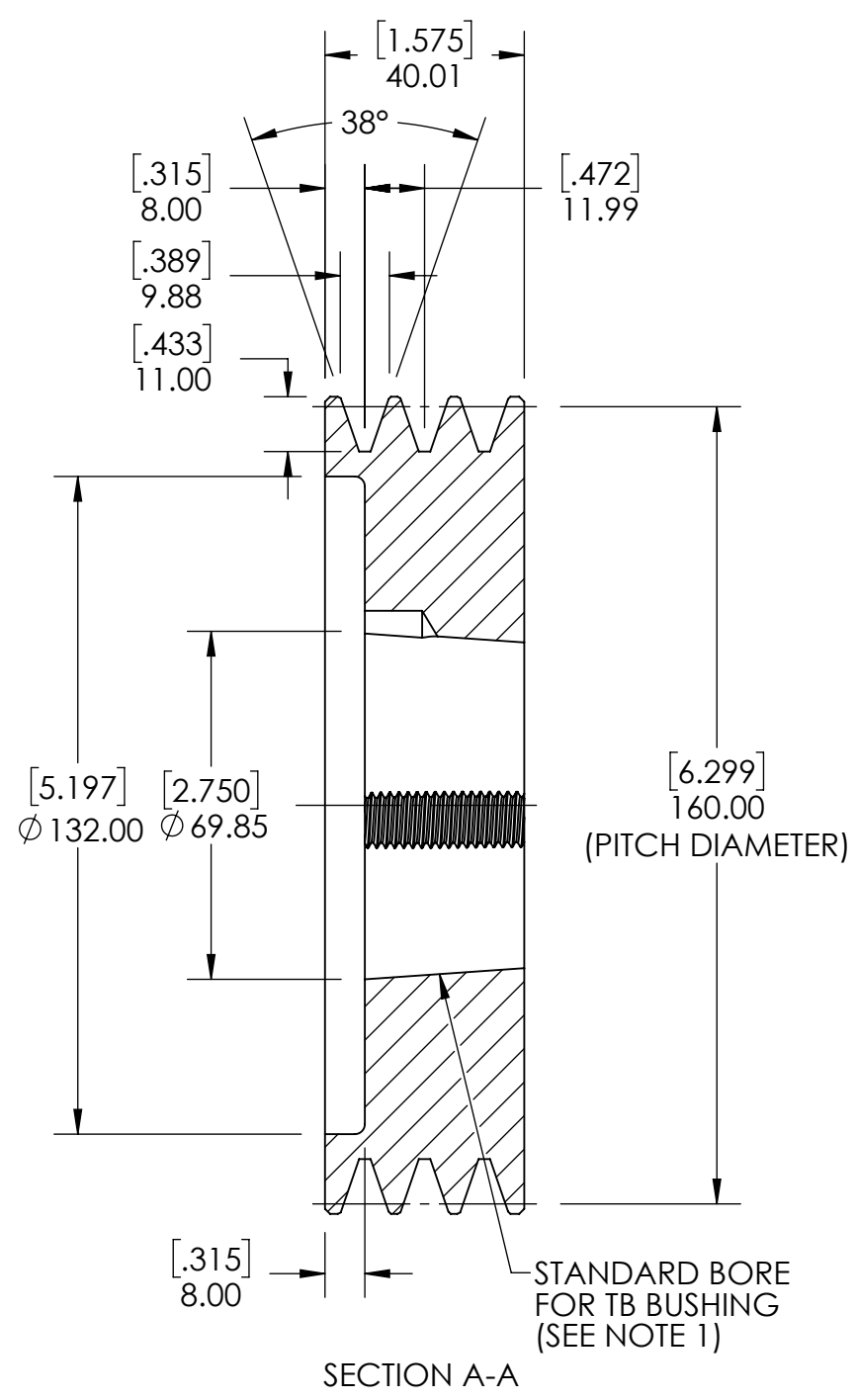
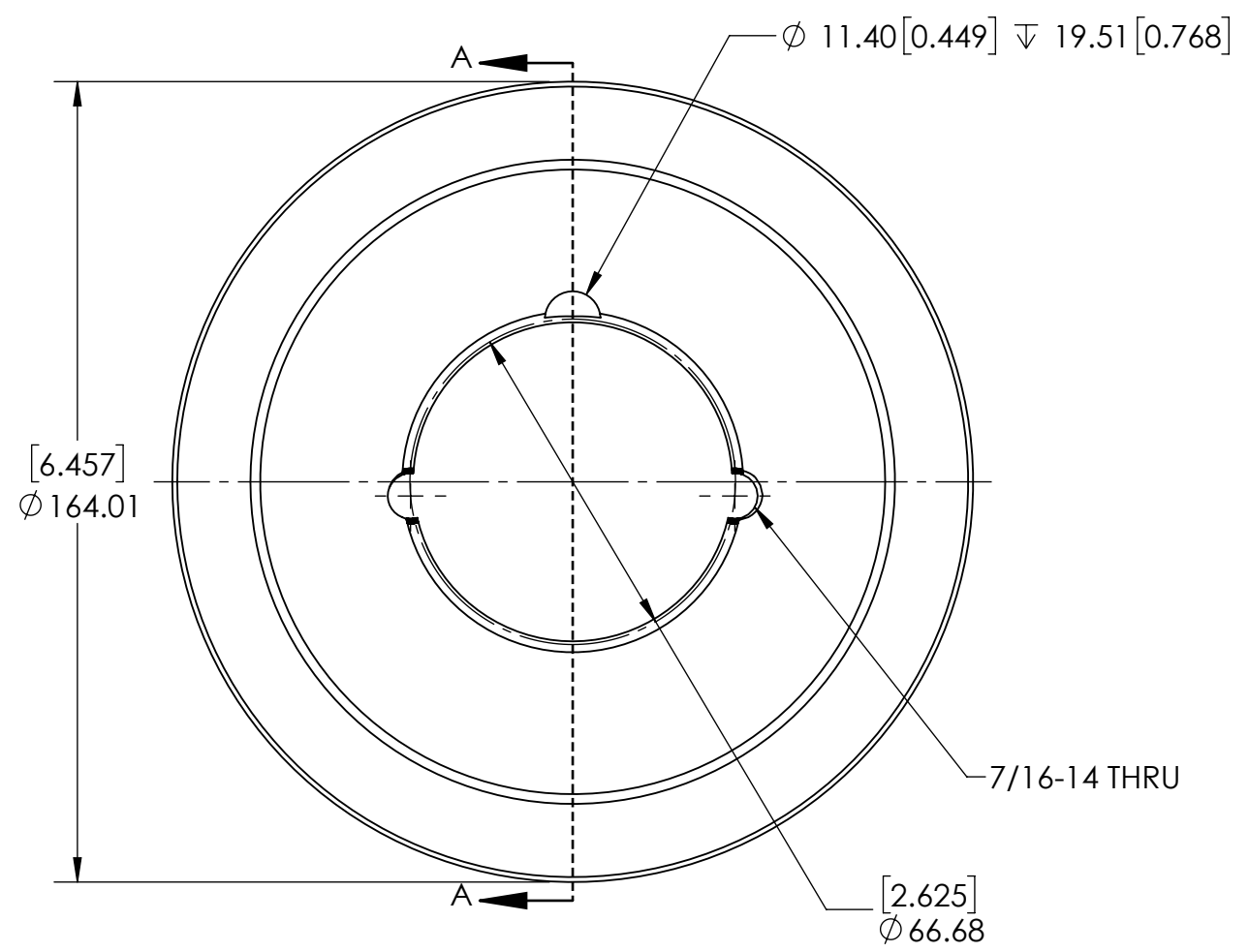


9 8 7 6 5 4 3 2 1

G  
F  
E  
D  
C  
B  
A

G  
F  
E  
D  
C  
B  
A



NOTES:  
1. TB BUSHING SIZE: 2012  
2. UNITS: mm[INCHES].

		WEIGHT	3.74 KG					
		MATERIAL	CAST IRON					
SIZE <b>B</b>		COATING	GREY PAINT					
		DRAWN	MTC	08/29/2025				
		CHECKED	PT	09/02/2025				
		APPROVED						
DWG. NO.				DATE	BY	REVISION DESCRIPTION		REV
		PROPRIETARY AND CONFIDENTIAL <small>THE INFORMATION CONTAINED IN THIS DRAWING IS THE SOLE PROPERTY OF SOLVE IMG. ANY REPRODUCTION IN PART OR AS A WHOLE WITHOUT THE WRITTEN PERMISSION OF SOLVE IMG IS PROHIBITED.</small>		ITEM DESCRIPTION:		SPZ160X3-2012		SCALE
								REV
								-

9 8 7 6 5 4 3 2 1