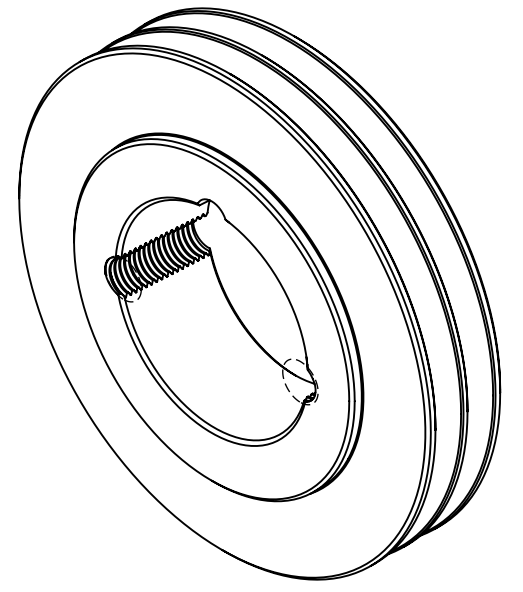
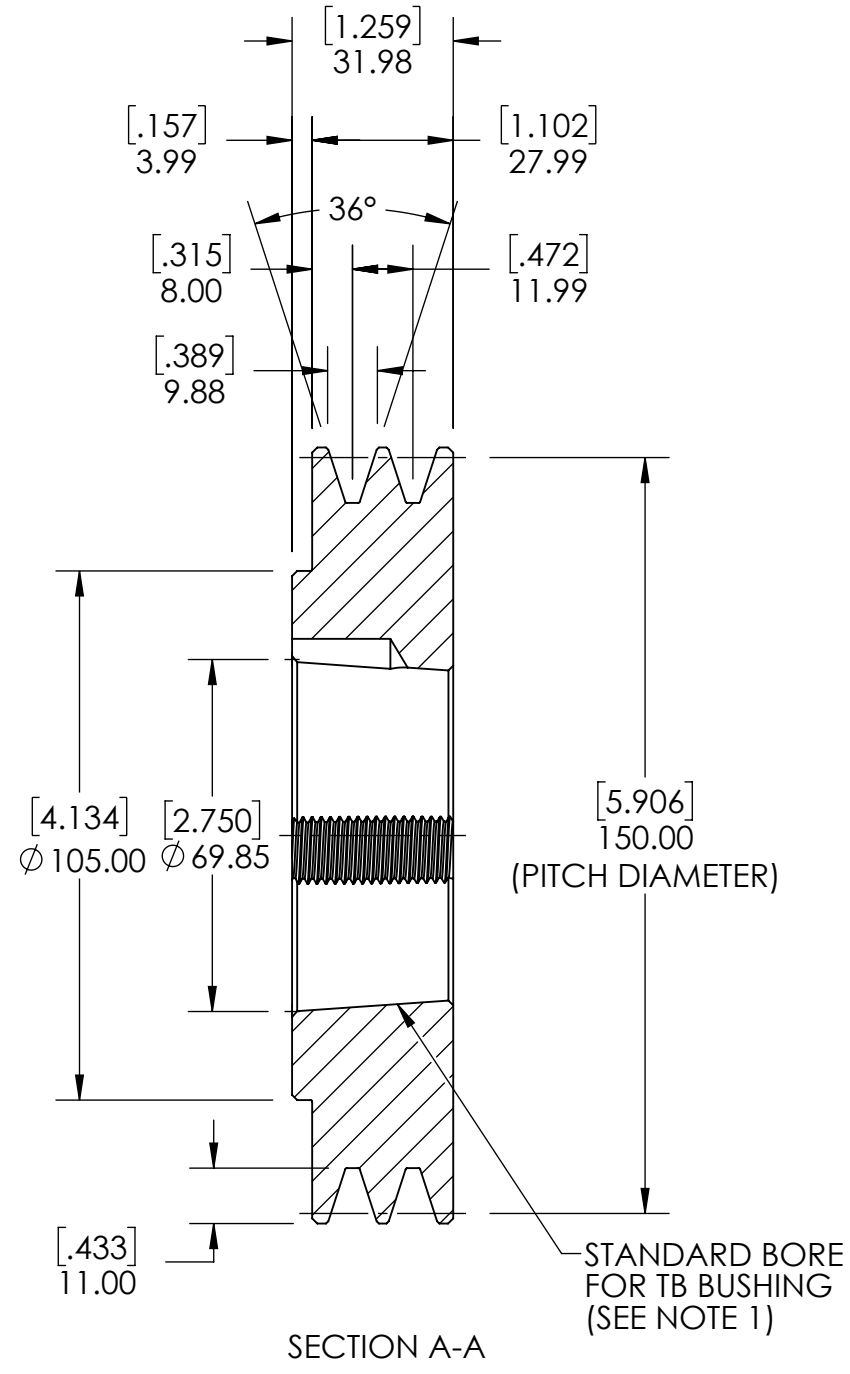
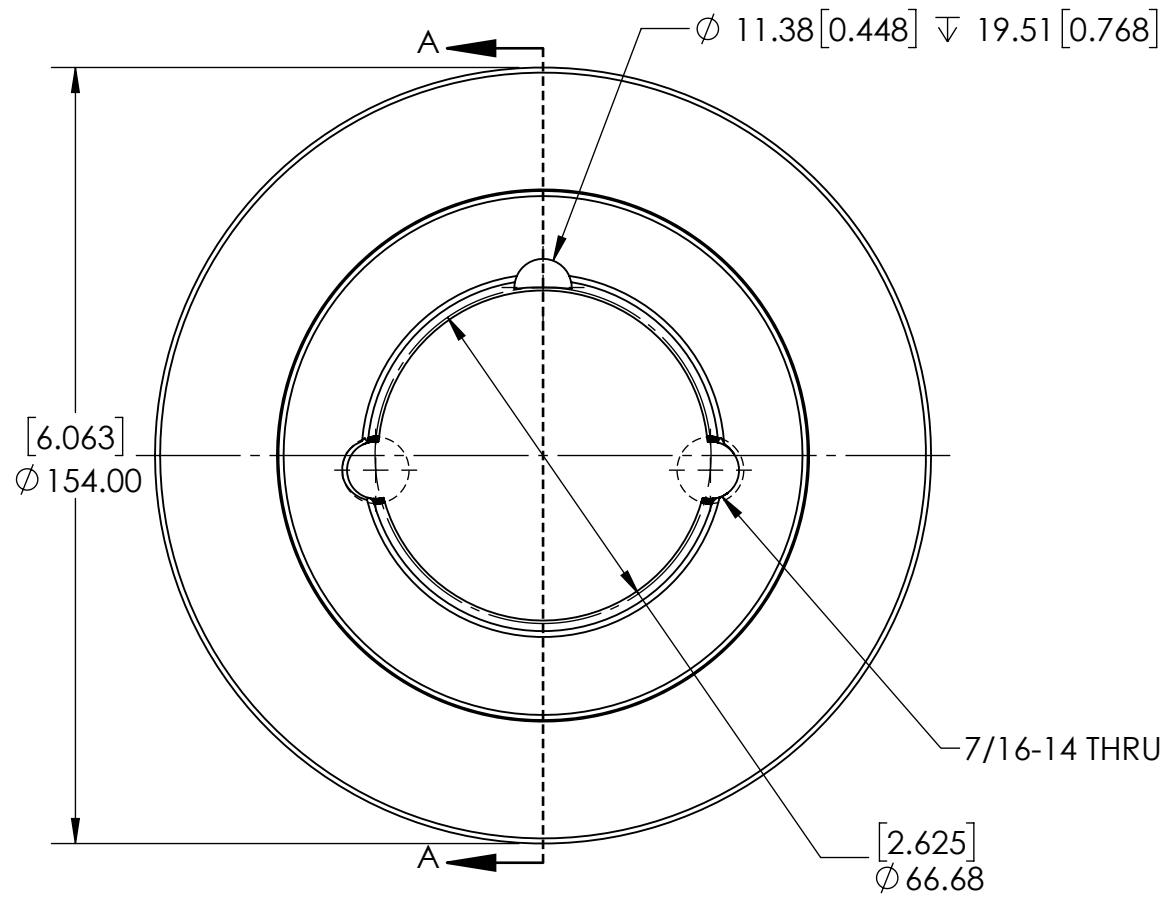


9 8 7 6 5 4 3 2 1

G
F
E
D
C
B
A

G
F
E
D
C
B
A



NOTES:
 1. TB BUSHING SIZE: 2012
 2. UNITS: mm [INCHES].

SOLVE INDUSTRIAL MOTION GROUP		WEIGHT	2.68 KG					
		MATERIAL	CAST IRON					
		COATING	GREY PAINT					
		DRAWN	MTC	08/29/2025				
SIZE	PTI	CHECKED			DATE	BY	REVISION DESCRIPTION	REV
B		APPROVED						SCALE
DWG. NO.		THIRD ANGLE PROJECTION		ITEM DESCRIPTION:		SPZ150X2-2012		REV
		PROPRIETARY AND CONFIDENTIAL						-
		THE INFORMATION CONTAINED IN THIS DRAWING IS THE SOLE PROPERTY OF SOLVE IMG. ANY REPRODUCTION IN PART OR AS A WHOLE WITHOUT THE WRITTEN PERMISSION OF SOLVE IMG IS PROHIBITED.						

9 8 7 6 5 4 3 2 1