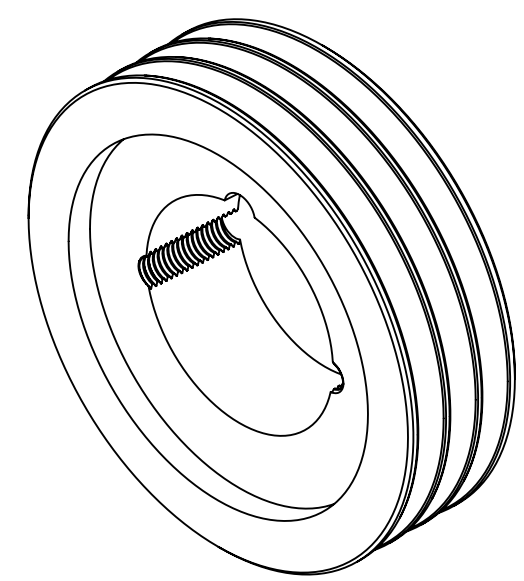
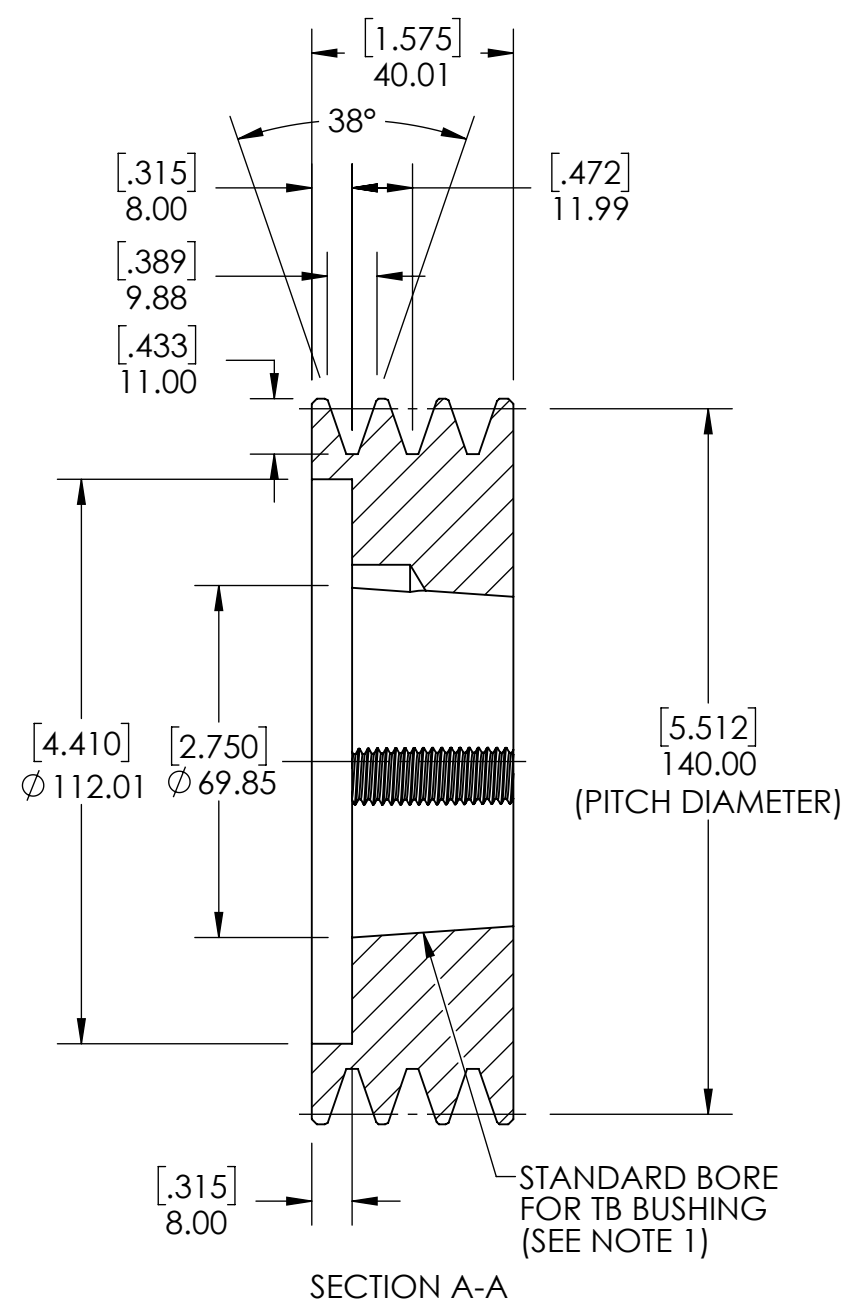
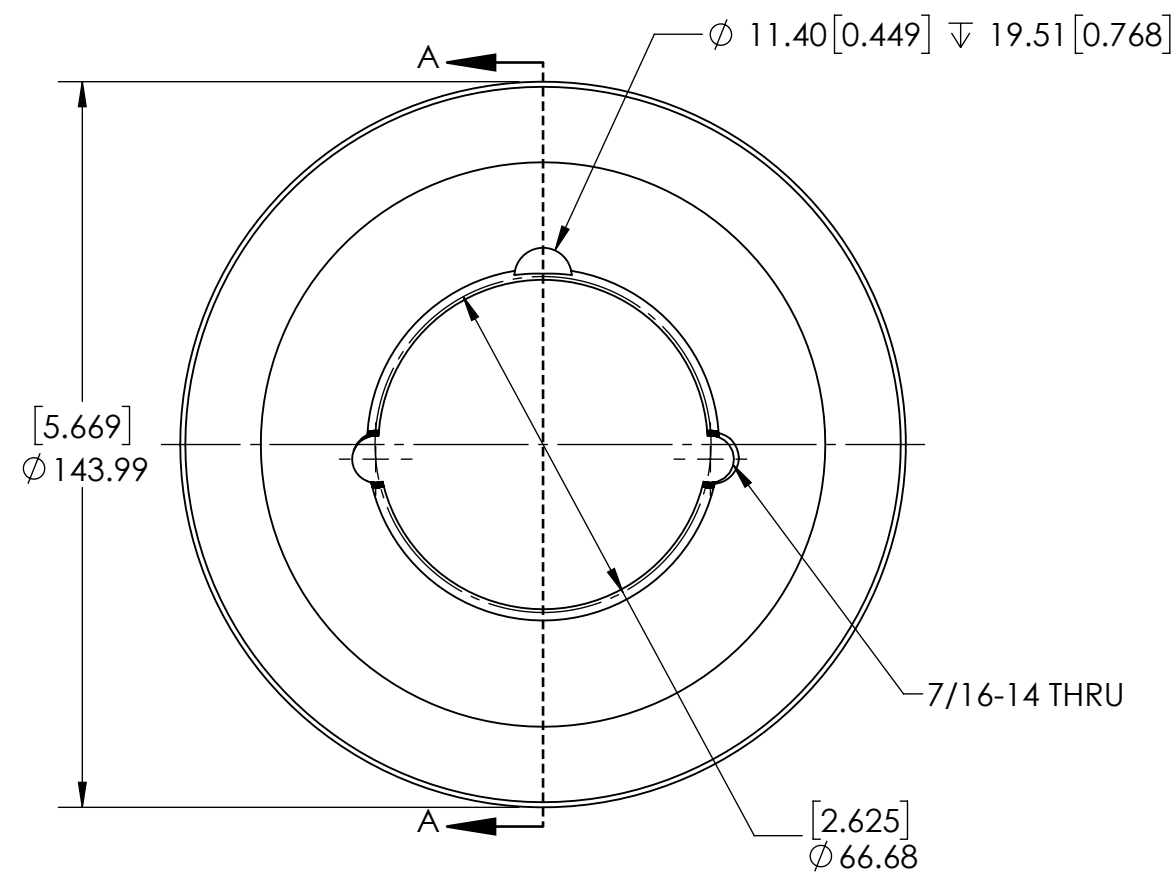


9 8 7 6 5 4 3 2 1

G
F
E
D
C
B
A

G
F
E
D
C
B
A



NOTES:
 1. TB BUSHING SIZE: 2012
 2. UNITS: mm[INCHES].

SOLVE INDUSTRIAL MOTION GROUP		WEIGHT	2.65 KG				
		MATERIAL	CAST IRON				
		COATING	GREY PAINT				
		DRAWN	MTC 08/29/2025				
		CHECKED	PT 09/02/2025				
		APPROVED		DATE	BY	REVISION DESCRIPTION	REV
SIZE	PTI					ITEM DESCRIPTION:	SCALE
DWG. NO.		PROPRIETARY AND CONFIDENTIAL				SPZ140X3-2012	1:1.5
		THE INFORMATION CONTAINED IN THIS DRAWING IS THE SOLE PROPERTY OF SOLVE IMG. ANY REPRODUCTION IN PART OR AS A WHOLE WITHOUT THE WRITTEN PERMISSION OF SOLVE IMG IS PROHIBITED.					REV
							-

9 8 7 6 5 4 3 2 1