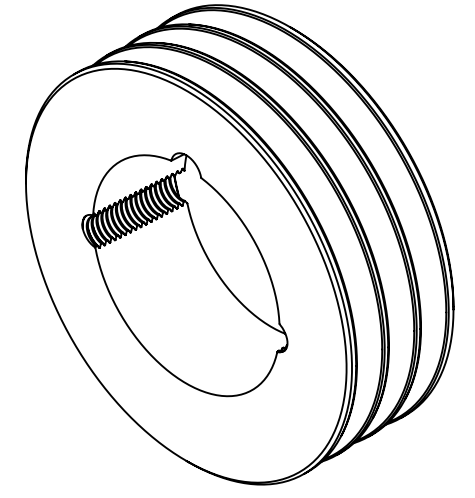
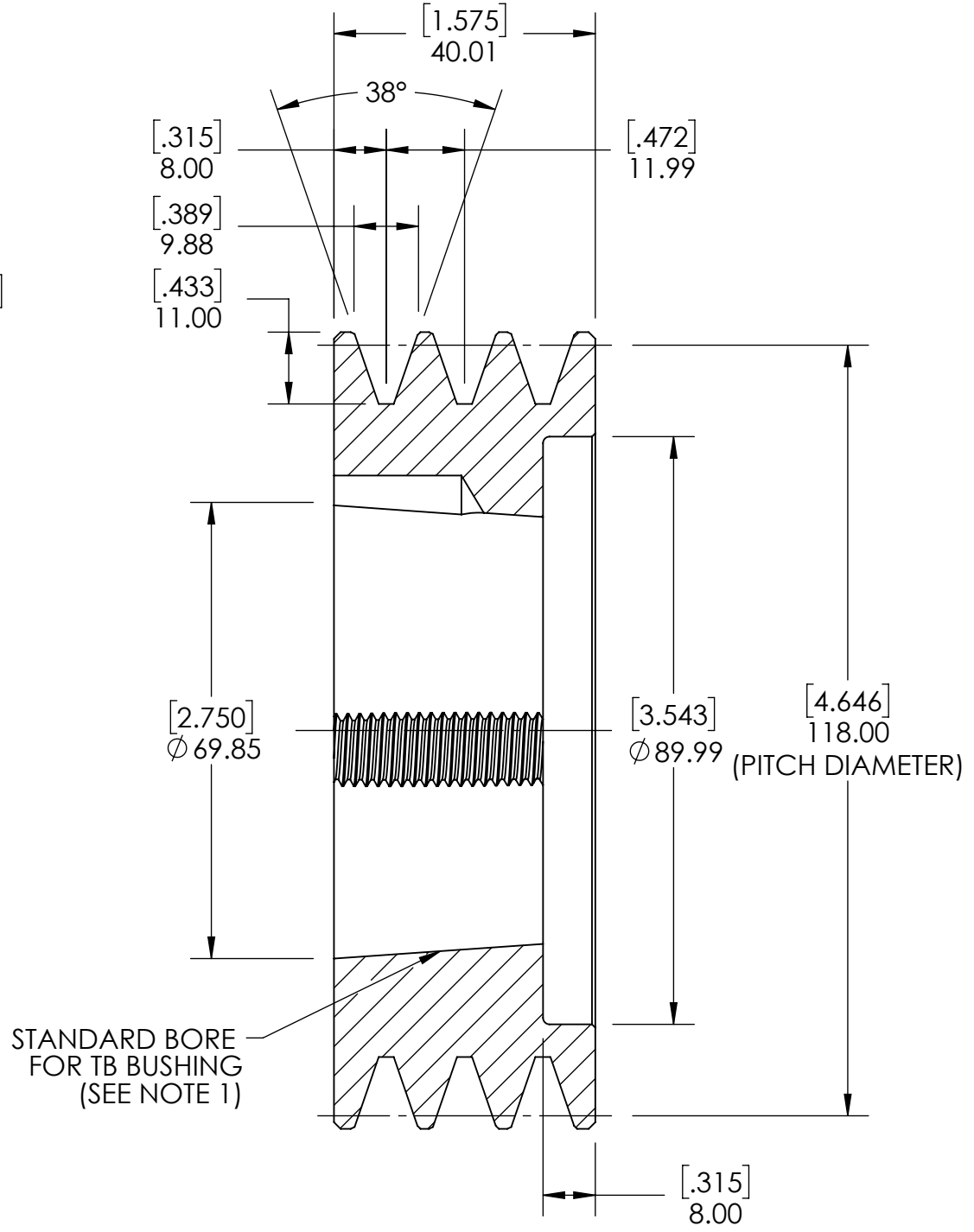
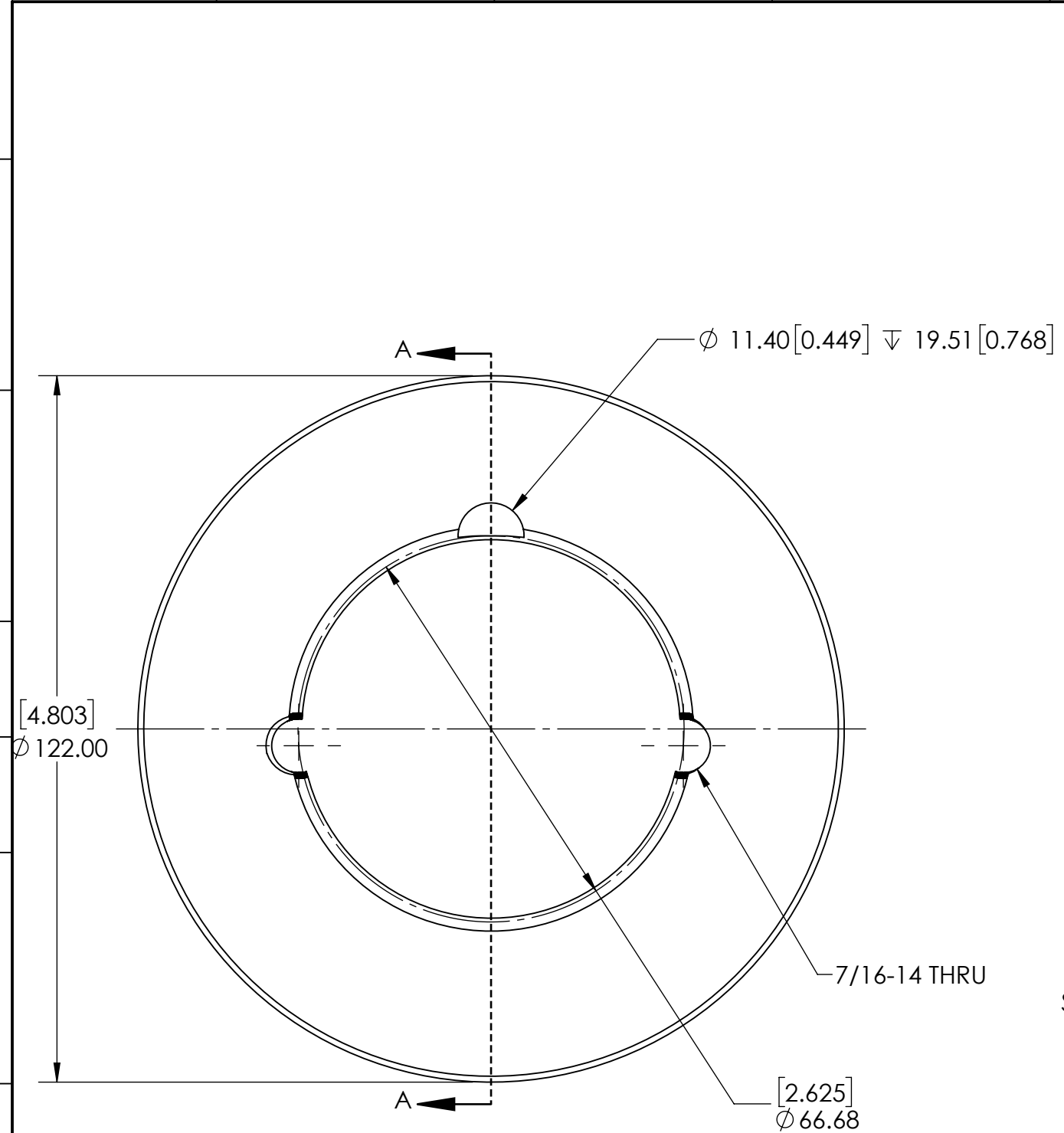


9 8 7 6 5 4 3 2 1

G F E D C B A



SECTION A-A

NOTES:  
 1. TB BUSHING SIZE: 2012  
 2. UNITS: mm[INCHES].

<b>SOLVE</b> INDUSTRIAL MOTION GROUP		WEIGHT	1.63 KG				
		MATERIAL	CAST IRON				
		COATING	GREY PAINT				
		DRAWN	MTC	08/29/2025			
		CHECKED	PT	09/02/2025			
		APPROVED			DATE	BY	REVISION DESCRIPTION
SIZE	<b>B</b>						
DWG. NO.		PROPRIETARY AND CONFIDENTIAL		ITEM DESCRIPTION:		REV	
		THE INFORMATION CONTAINED IN THIS DRAWING IS THE SOLE PROPERTY OF SOLVE IMG. ANY REPRODUCTION IN PART OR AS A WHOLE WITHOUT THE WRITTEN PERMISSION OF SOLVE IMG IS PROHIBITED.		SPZ118X3-2012		SCALE	
						1:1	
						REV	
						-	

A

9 8 7 6 5 4 3 2 1