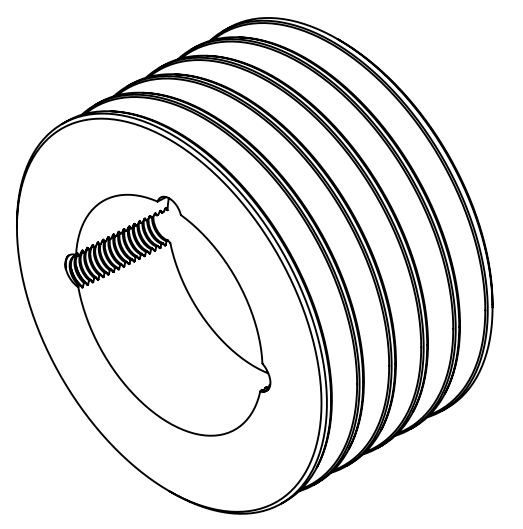
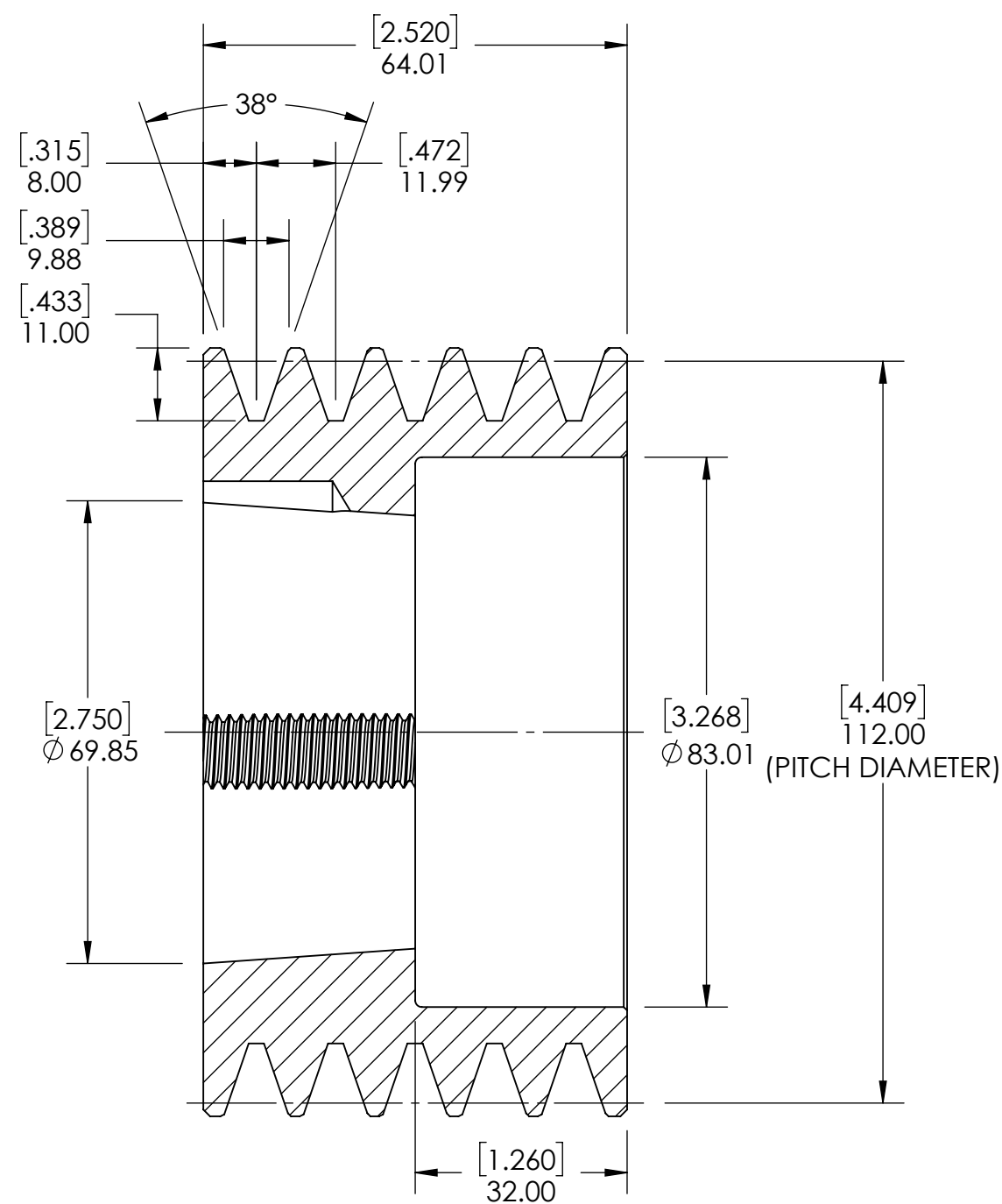
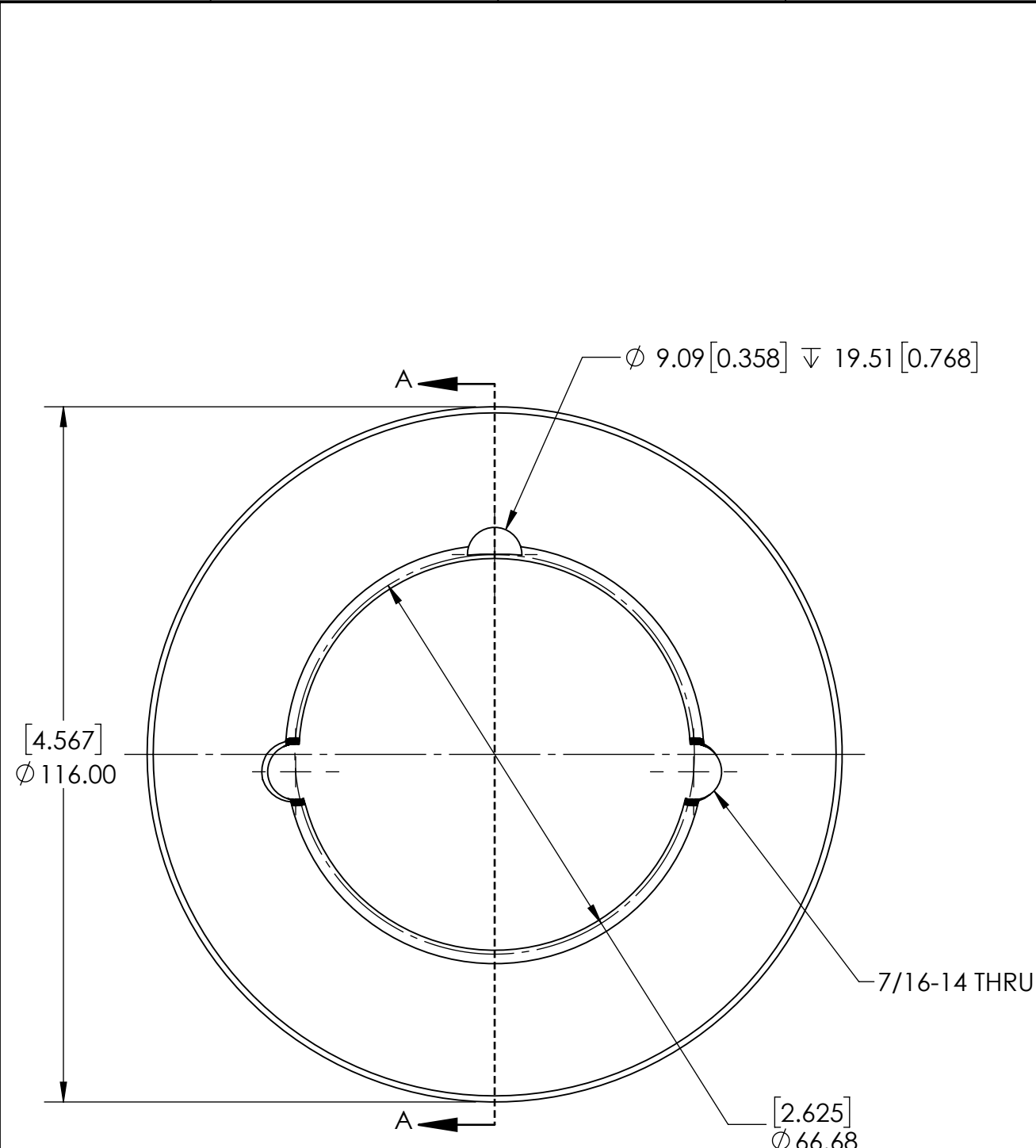


9 8 7 6 5 4 3 2 1

G  
F  
E  
D  
C  
B  
A

G  
F  
E  
D  
C  
B  
A



NOTES:  
 1. TB BUSHING SIZE: 2012  
 2. UNITS: mm[INCHES].

		WEIGHT	1.96 KG				
		MATERIAL	CAST IRON				
		COATING	GREY PAINT				
		DRAWN	MTC 09/11/2025				
DWG. NO.		CHECKED	EG 09/15/2025				
		APPROVED		DATE	BY	REVISION DESCRIPTION	REV
PROPRIETARY AND CONFIDENTIAL <small>THE INFORMATION CONTAINED IN THIS DRAWING IS THE SOLE PROPERTY OF SOLVE IMG. ANY REPRODUCTION IN PART OR AS A WHOLE WITHOUT THE WRITTEN PERMISSION OF SOLVE IMG IS PROHIBITED.</small>				ITEM DESCRIPTION:			SCALE
		SPZ112X5-2012					1:1
							REV
							-

9 8 7 6 5 4 3 2 1