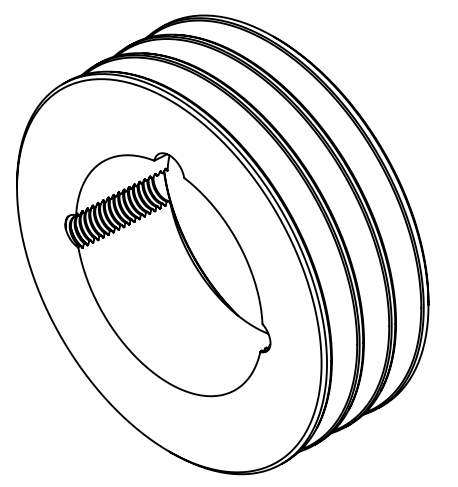
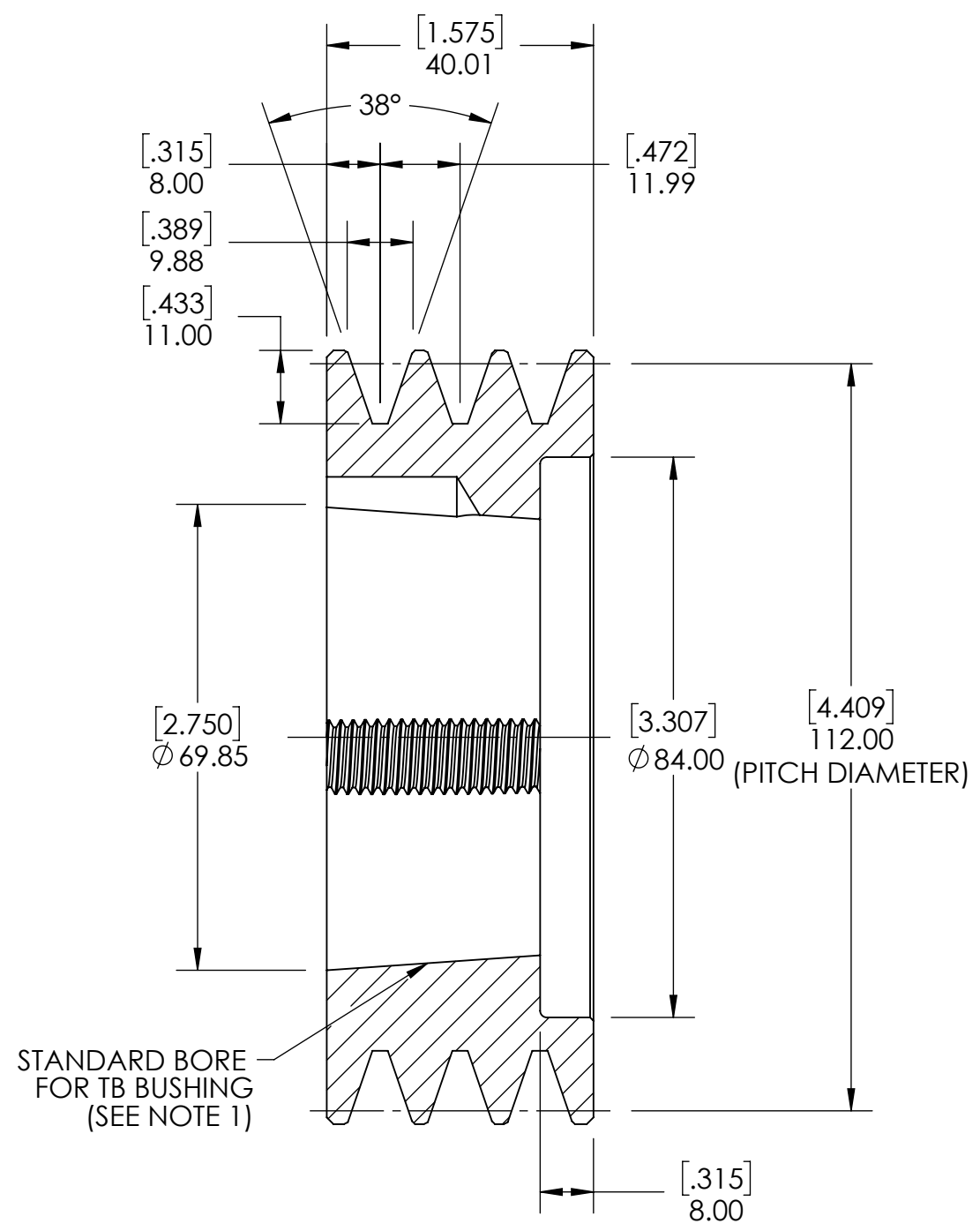
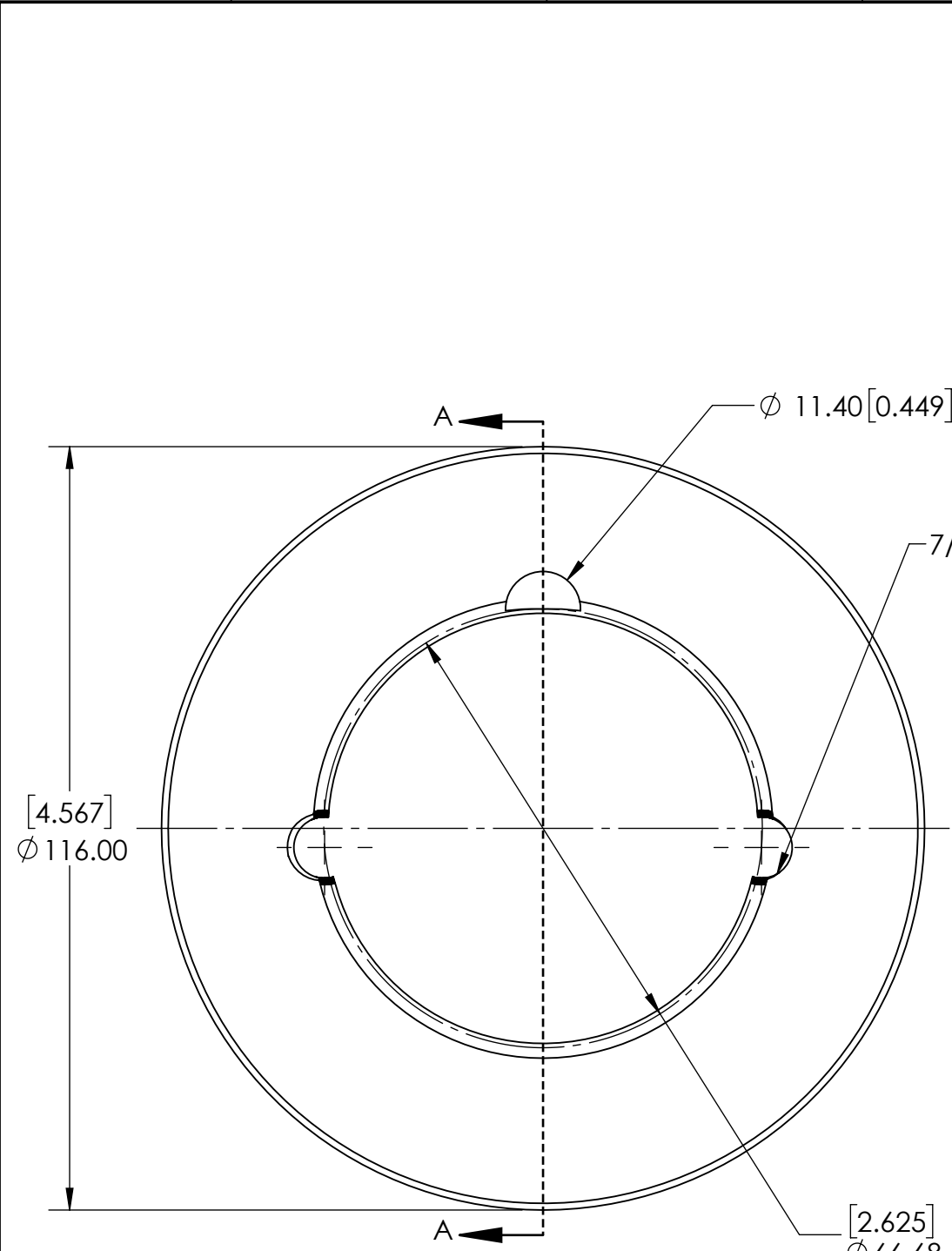


9 8 7 6 5 4 3 2 1

G  
F  
E  
D  
C  
B  
A



SECTION A-A

NOTES:  
 1. TB BUSHING SIZE: 2012  
 2. UNITS: mm[INCHES].

		WEIGHT	1.38 KG					
		MATERIAL	CAST IRON					
		COATING	GREY PAINT					
		DRAWN	MTC	08/29/2025				
DWG. NO.		CHECKED	PT	09/02/2025				
		APPROVED			DATE	BY	REVISION DESCRIPTION	REV
PROPRIETARY AND CONFIDENTIAL <small>THE INFORMATION CONTAINED IN THIS DRAWING IS THE SOLE PROPERTY OF SOLVE IMG. ANY REPRODUCTION IN PART OR AS A WHOLE WITHOUT THE WRITTEN PERMISSION OF SOLVE IMG IS PROHIBITED.</small>				ITEM DESCRIPTION:				SCALE
				SPZ112X3-2012				1:1
						REV		
						-		

9 8 7 6 5 4 3 2 1