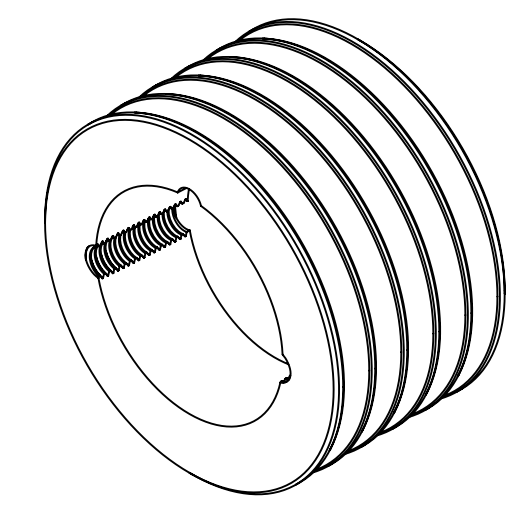
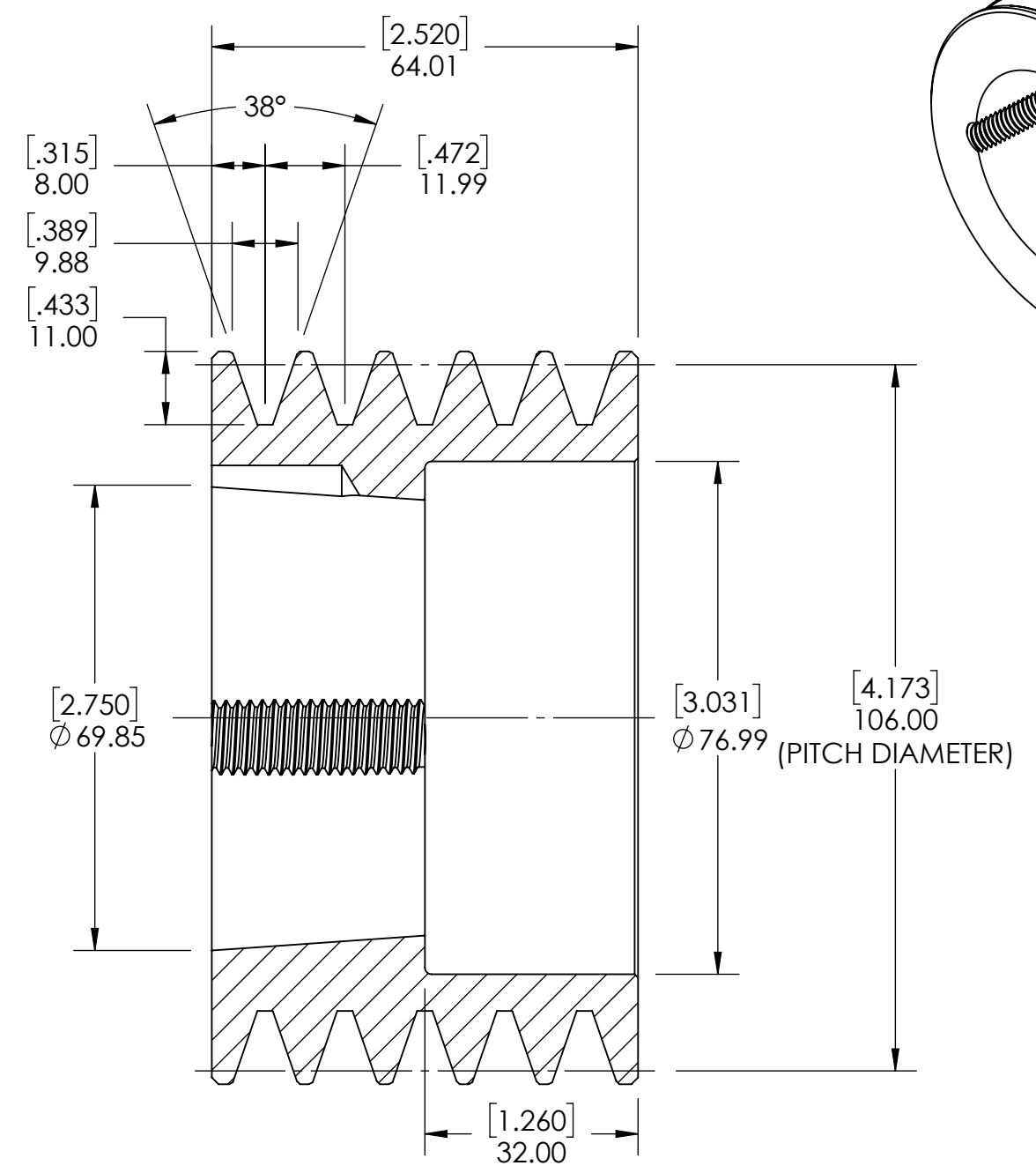
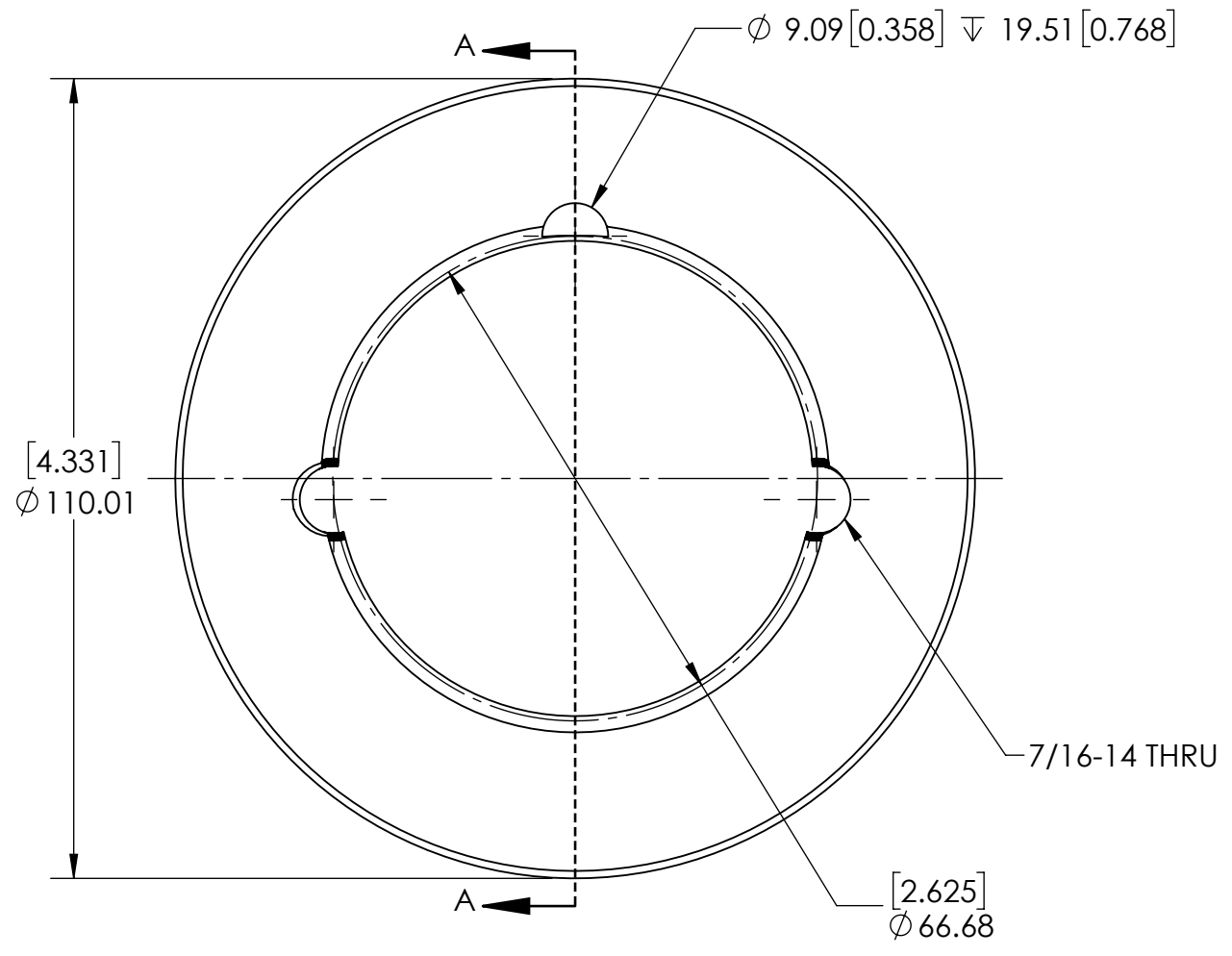


9 8 7 6 5 4 3 2 1

G
F
E
D
C
B
A

G
F
E
D
C
B
A



SECTION A-A

NOTES:
 1. TB BUSHING SIZE: 2012
 2. UNITS: mm[INCHES].

		WEIGHT	1.69 KG				
		MATERIAL	CAST IRON				
		COATING	GREY PAINT				
		DRAWN	MTC 09/11/2025				
DWG. NO.		CHECKED	EG 09/15/2025				
		APPROVED					
		DATE	BY	REVISION DESCRIPTION			REV
		ITEM DESCRIPTION:			SPZ106X5-2012		
					1:1		
					-		

9 8 7 6 5 4 3 2 1