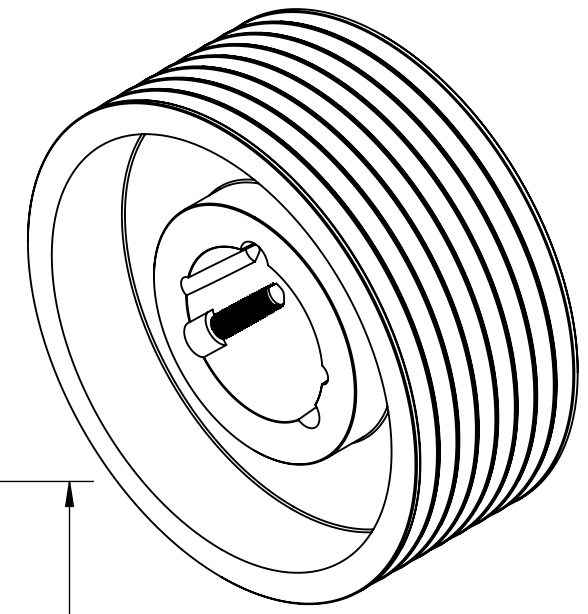
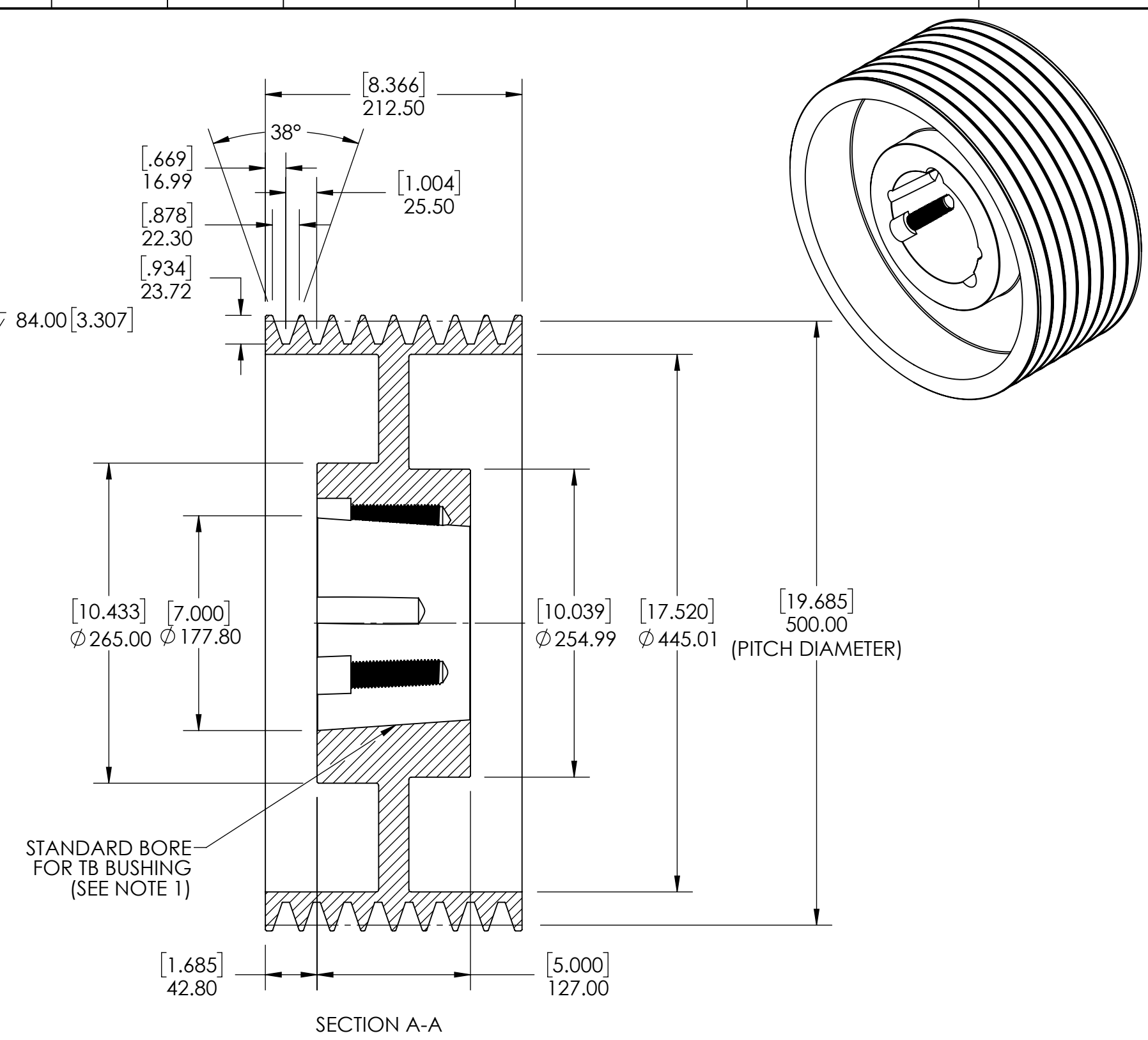
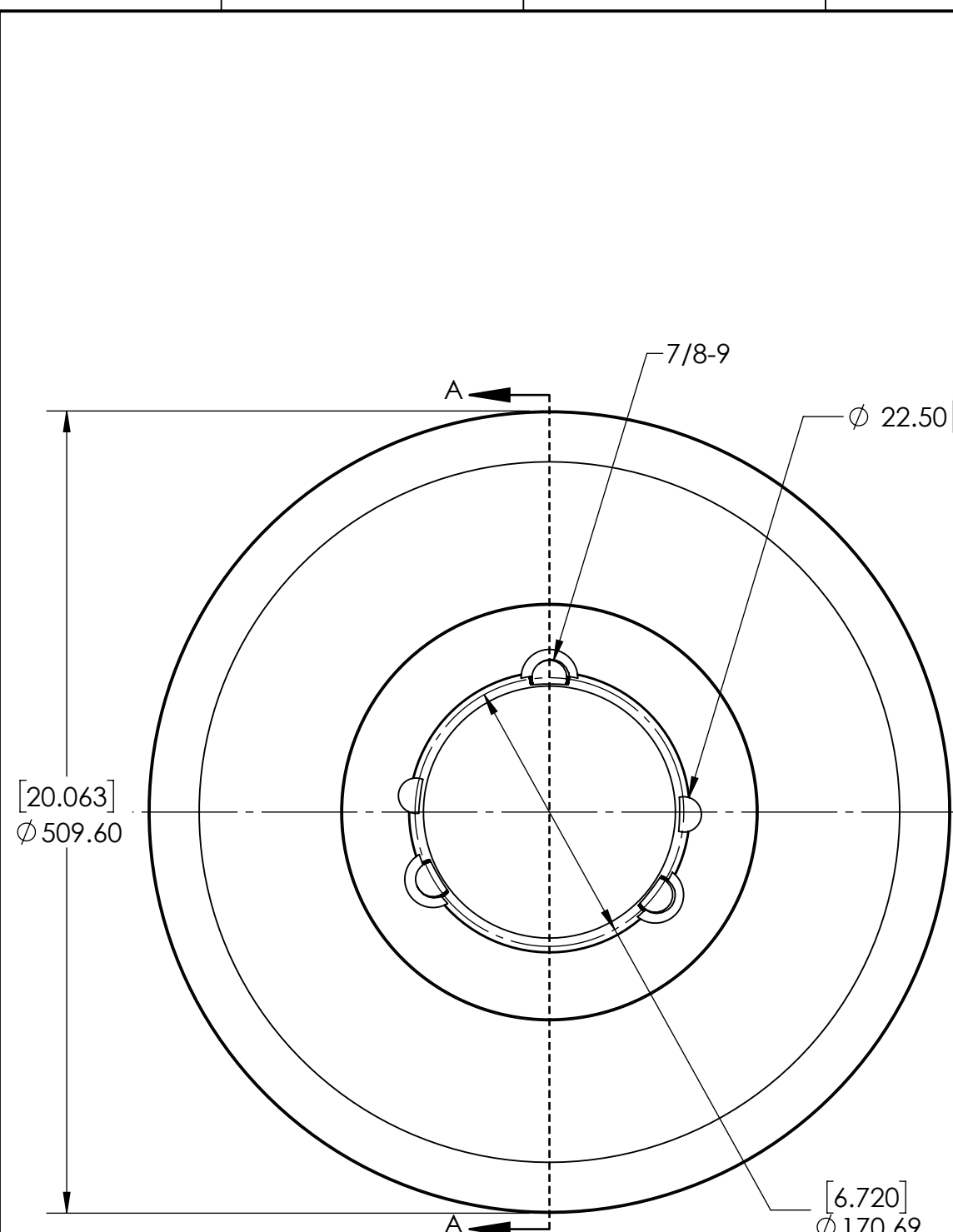


9 8 7 6 5 4 3 2 1

G F E D C B A



SECTION A-A

NOTES:
 1. TB BUSHING SIZE: 5050
 2. UNITS: mm [INCHES].

SOLVE INDUSTRIAL MOTION GROUP		WEIGHT	89.87 KG				
		MATERIAL	CAST IRON				
		COATING	GREY PAINT				
		DRAWN	MTC	09/02/2025			
SIZE	PTI	CHECKED					
B		APPROVED			DATE	BY	REVISION DESCRIPTION
DWG. NO.		THIRD ANGLE PROJECTION		ITEM DESCRIPTION:		REV	SCALE
		<small> PROPRIETARY AND CONFIDENTIAL THE INFORMATION CONTAINED IN THIS DRAWING IS THE SOLE PROPERTY OF SOLVE IMG. ANY REPRODUCTION IN PART OR AS A WHOLE WITHOUT THE WRITTEN PERMISSION OF SOLVE IMG IS PROHIBITED. </small>		SPC500X8-5050		1:4	
						REV	

9 8 7 6 5 4 3 2 1

A