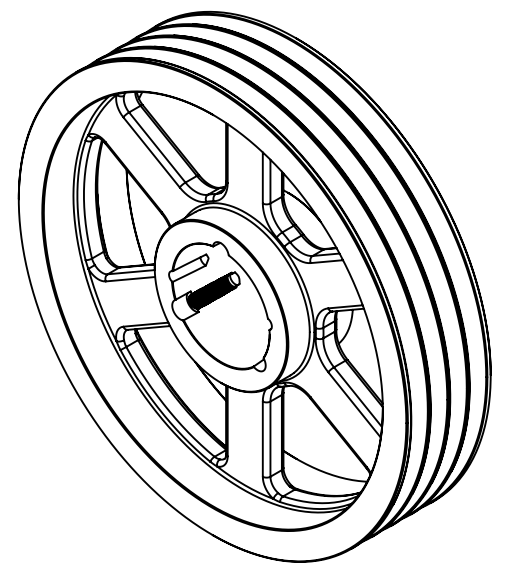
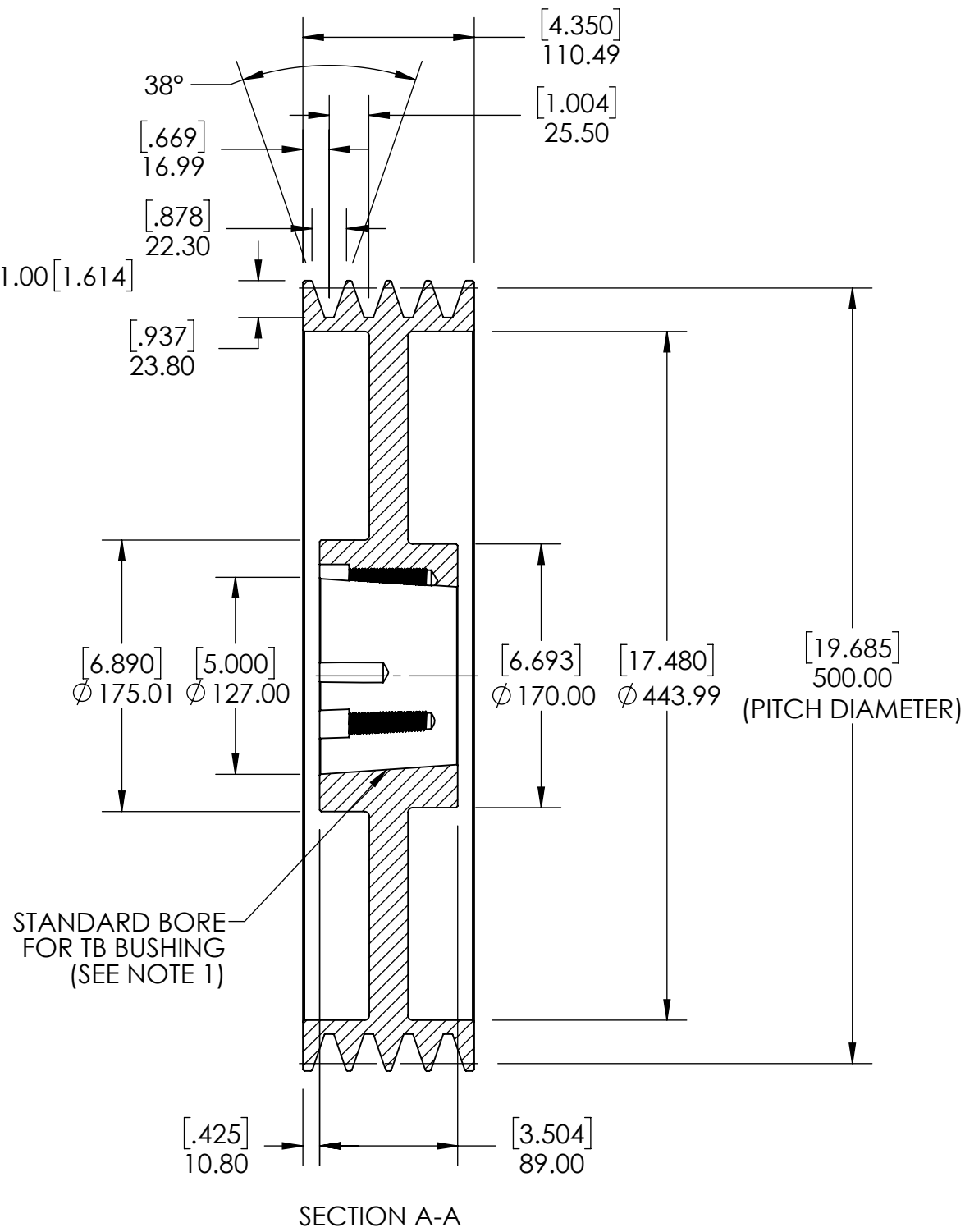
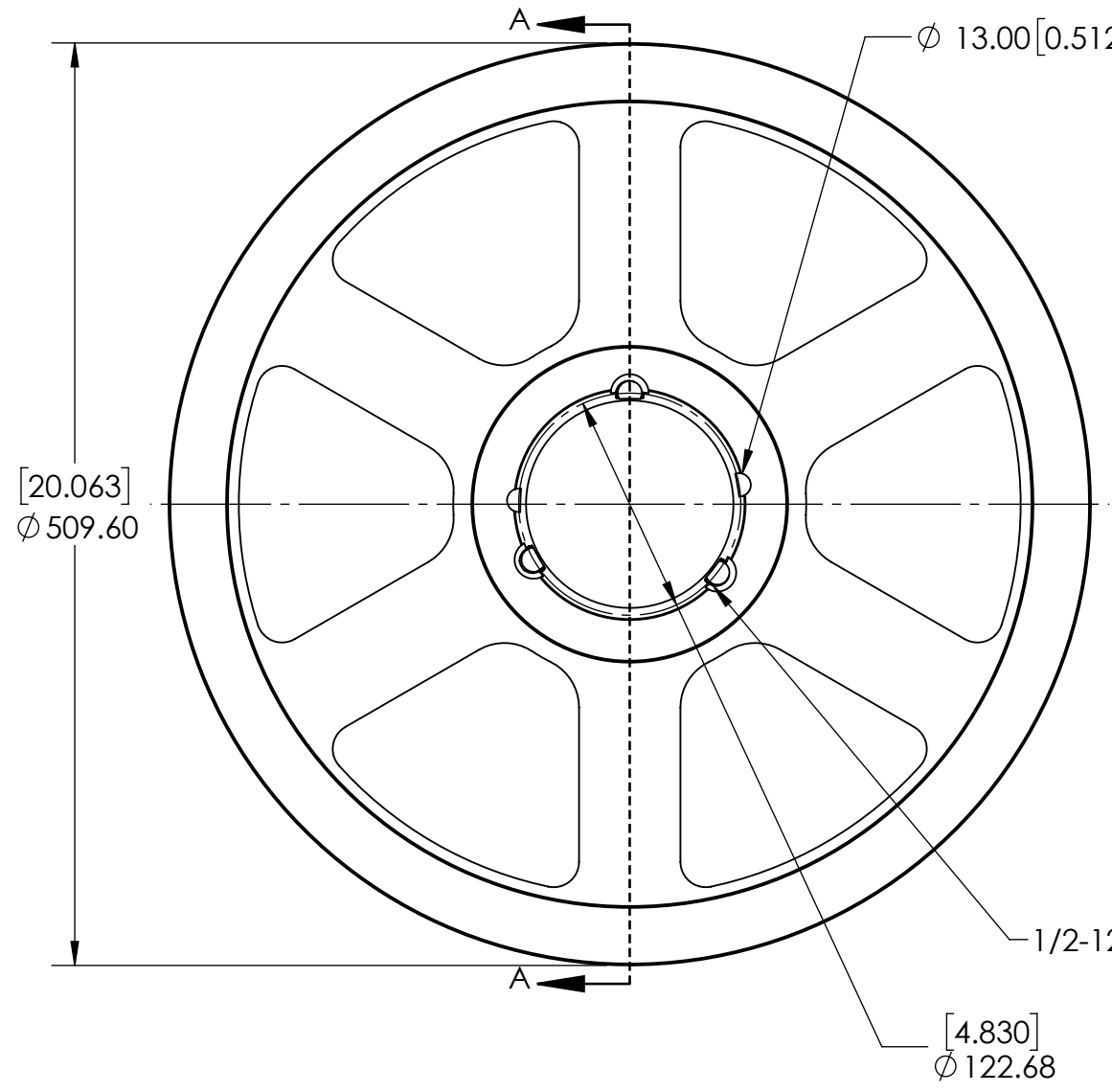


9 8 7 6 5 4 3 2 1

G
F
E
D
C
B
A

G
F
E
D
C
B
A



NOTES:
 1. TB BUSHING SIZE: 3535
 2. UNITS: mm [INCHES].

		WEIGHT	41.56 KG				
		MATERIAL	CAST IRON				
SIZE B		COATING	GREY PAINT				
		DRAWN	MTC 09/02/2025				
DWG. NO.		CHECKED					
		APPROVED					
PROPRIETARY AND CONFIDENTIAL <small>THE INFORMATION CONTAINED IN THIS DRAWING IS THE SOLE PROPERTY OF SOLVE IMG. ANY REPRODUCTION IN PART OR AS A WHOLE WITHOUT THE WRITTEN PERMISSION OF SOLVE IMG IS PROHIBITED.</small>		DATE	BY	REVISION DESCRIPTION		REV	
		ITEM DESCRIPTION:			SPC500X4-3535		SCALE
						1:4	
						-	

9 8 7 6 5 4 3 2 1