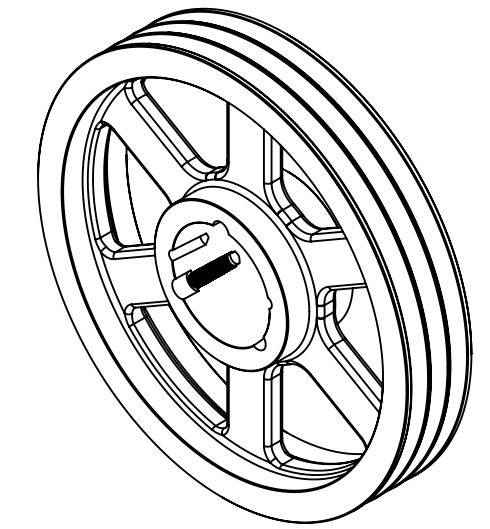
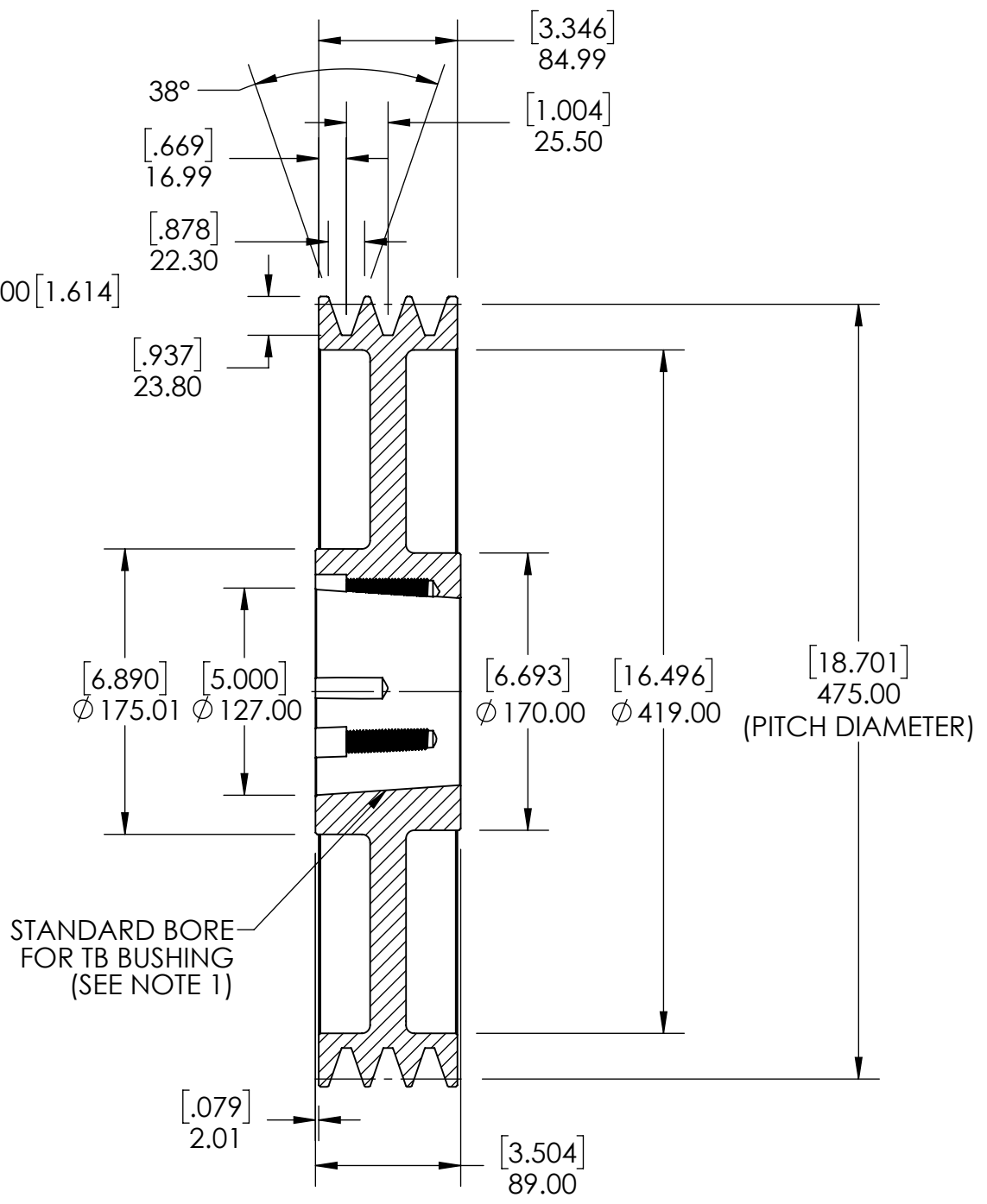
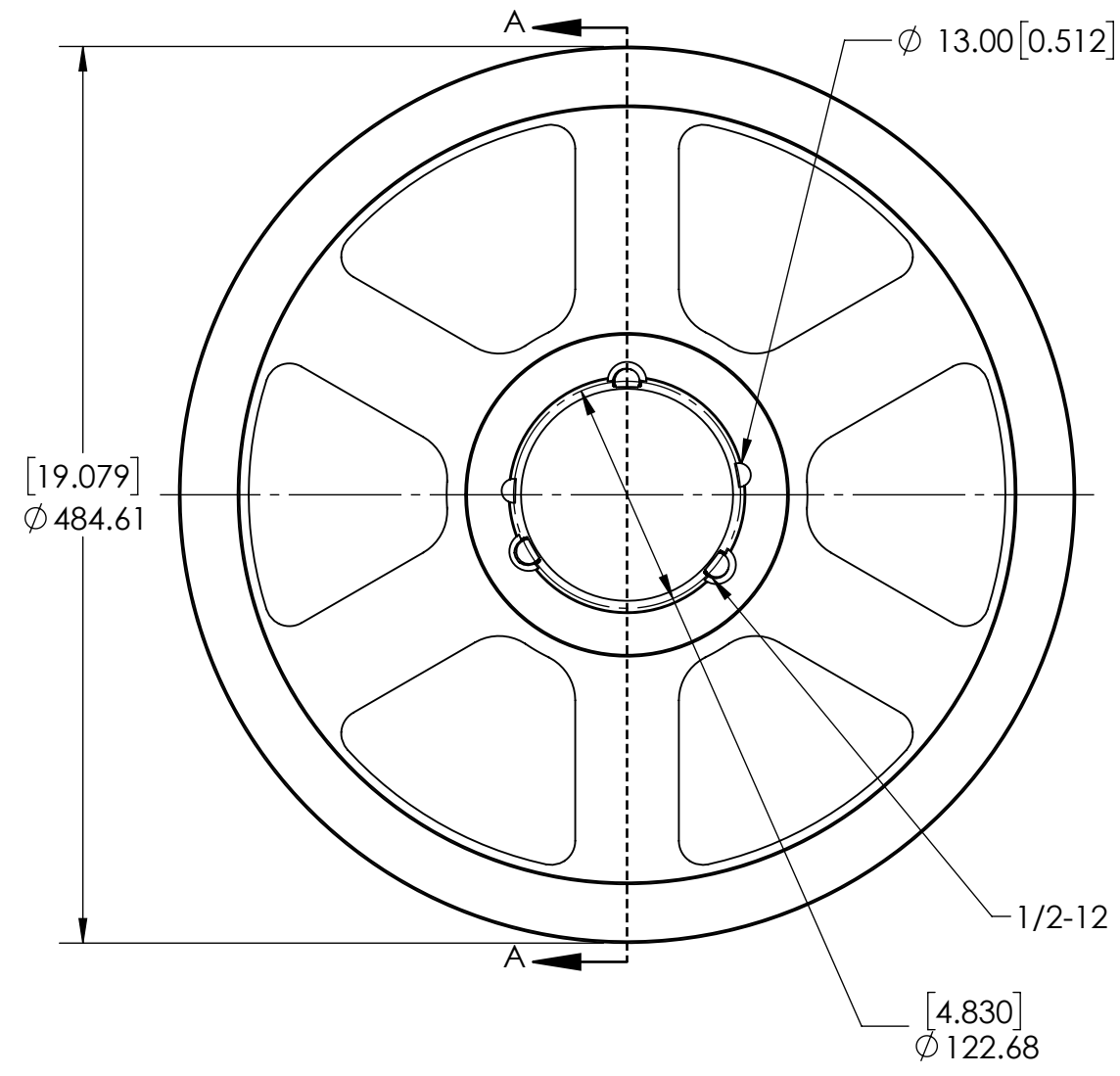


9 8 7 6 5 4 3 2 1

G F E D C B A



SECTION A-A

NOTES:  
 1. TB BUSHING SIZE: 3535  
 2. UNITS: mm [INCHES].

<b>SOLVE</b> INDUSTRIAL MOTION GROUP		WEIGHT	33.26 KG					
		MATERIAL	CAST IRON					
		COATING	GREY PAINT					
		DRAWN	MTC	09/02/2025				
SIZE	<b>PTI</b>	CHECKED						
B		APPROVED			DATE	BY	REVISION DESCRIPTION	REV
DWG. NO.		THIRD ANGLE PROJECTION		ITEM DESCRIPTION:		SPC475X3-3535		SCALE
		<small>           PROPRIETARY AND CONFIDENTIAL            THE INFORMATION CONTAINED IN THIS DRAWING IS THE SOLE PROPERTY OF SOLVE IMG. ANY REPRODUCTION IN PART OR AS A WHOLE WITHOUT THE WRITTEN PERMISSION OF SOLVE IMG IS PROHIBITED.         </small>						1:4
								REV
								-

9 8 7 6 5 4 3 2 1

A