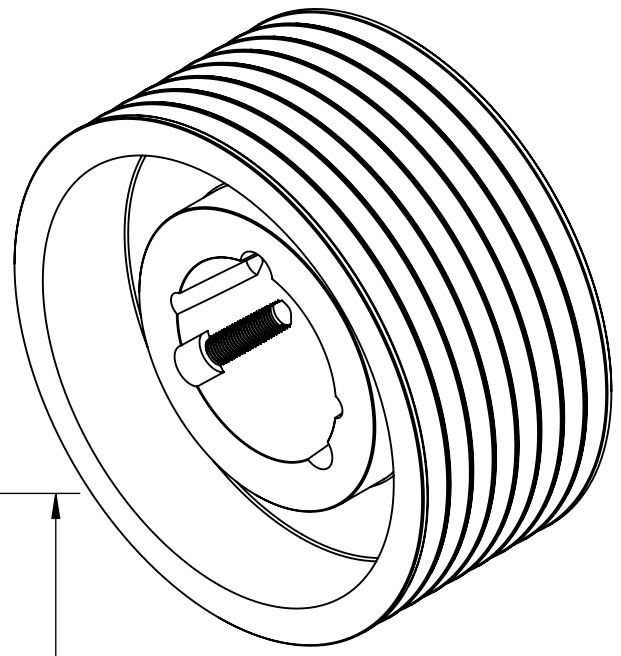
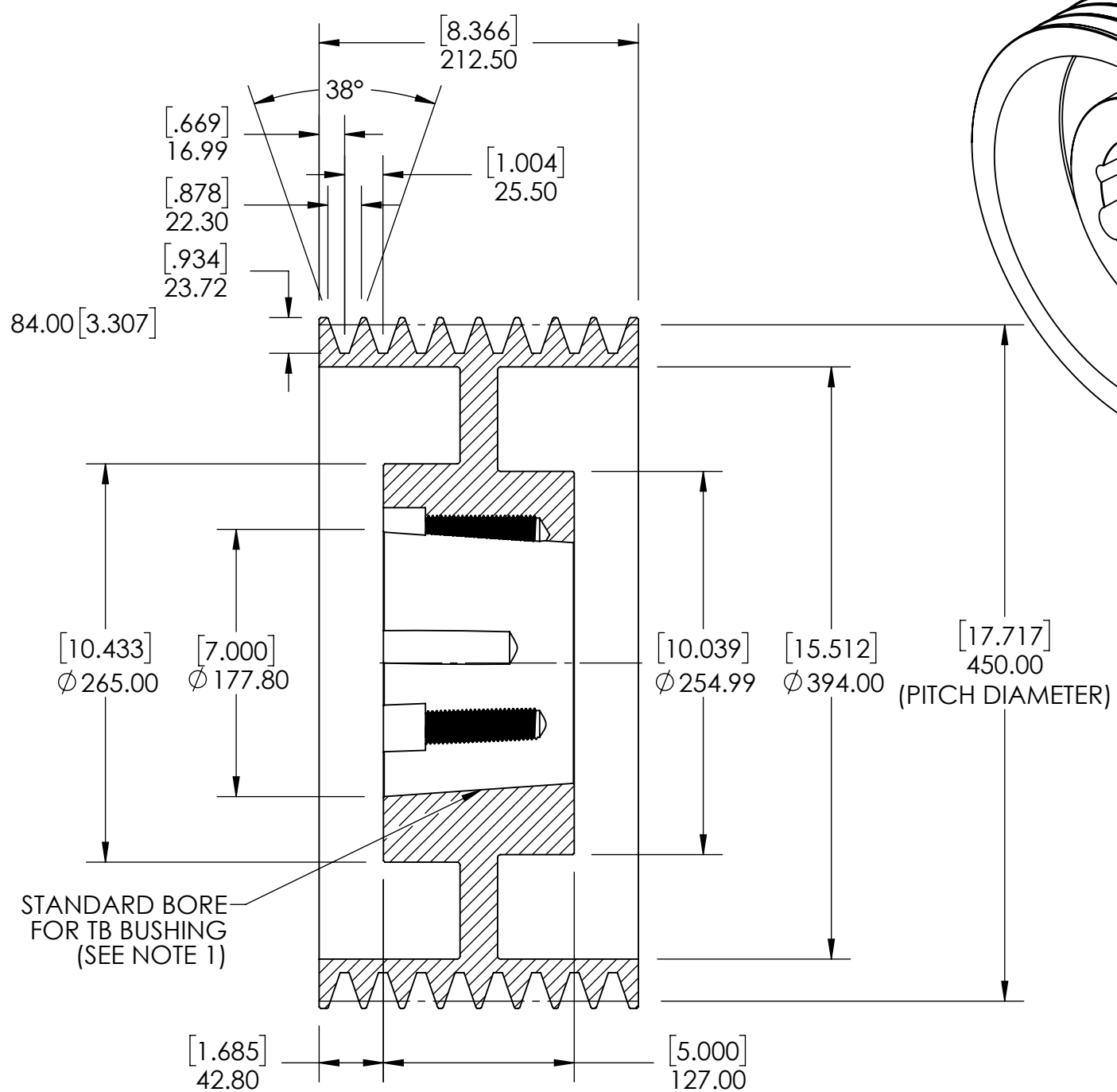
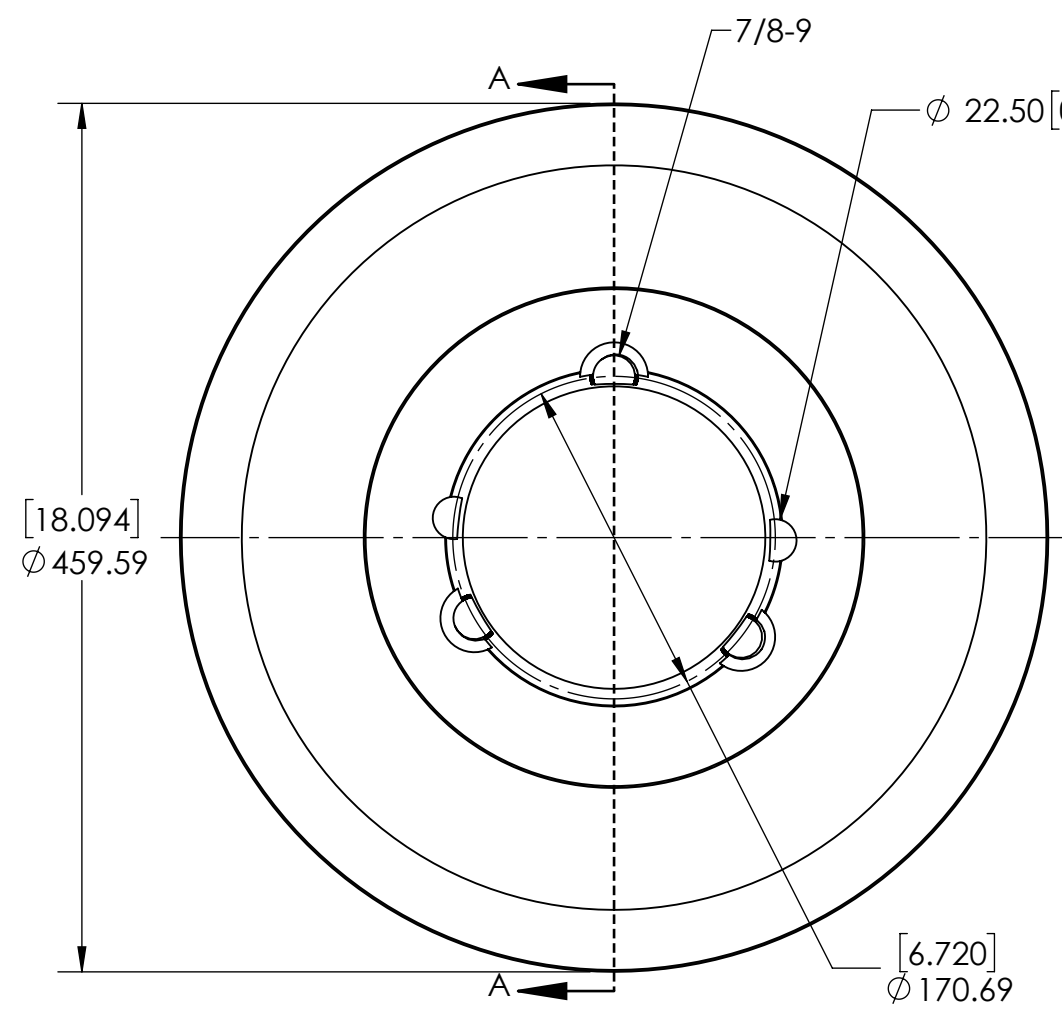


9 8 7 6 5 4 3 2 1

G  
F  
E  
D  
C  
B  
A

G  
F  
E  
D  
C  
B  
A



STANDARD BORE FOR TB BUSHING (SEE NOTE 1)

SECTION A-A

NOTES:  
1. TB BUSHING SIZE: 5050  
2. UNITS: mm [INCHES].

<b>SOLVE</b> INDUSTRIAL MOTION GROUP		WEIGHT	80.03 KG				
		MATERIAL	CAST IRON				
		COATING	GREY PAINT				
		DRAWN	MTC	09/02/2025			
		CHECKED					
		APPROVED			DATE	BY	REVISION DESCRIPTION
SIZE	<b>PTI</b>	THIRD ANGLE PROJECTION		ITEM DESCRIPTION:			REV
DWG. NO.		PROPRIETARY AND CONFIDENTIAL		SPC450X8-5050			SCALE
		THE INFORMATION CONTAINED IN THIS DRAWING IS THE SOLE PROPERTY OF SOLVE IMG. ANY REPRODUCTION IN PART OR AS A WHOLE WITHOUT THE WRITTEN PERMISSION OF SOLVE IMG IS PROHIBITED.					1:4
							REV
							-

9 8 7 6 5 4 3 2 1