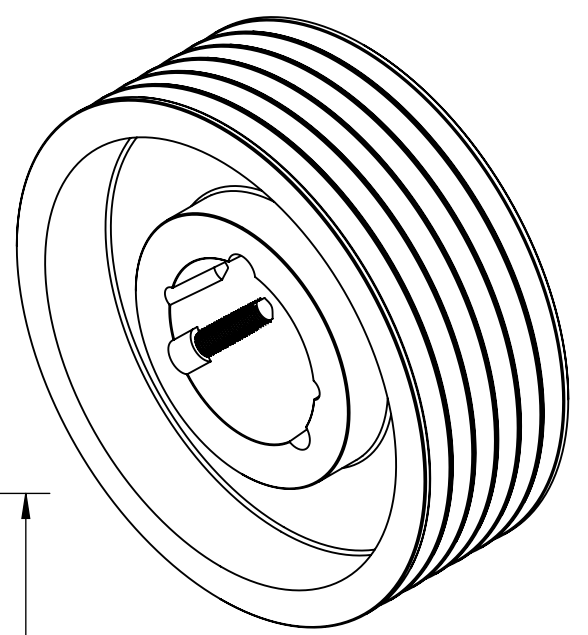
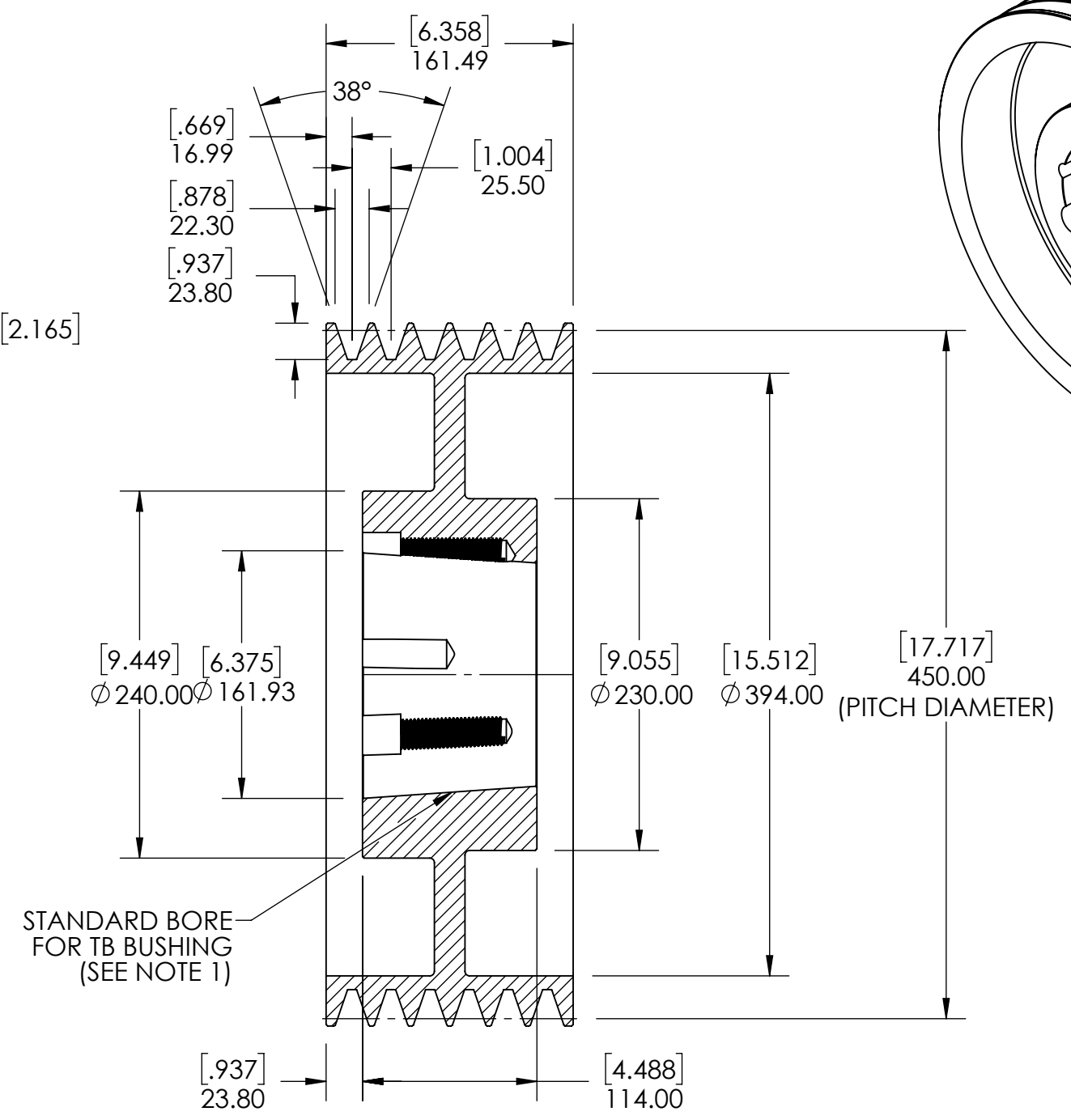
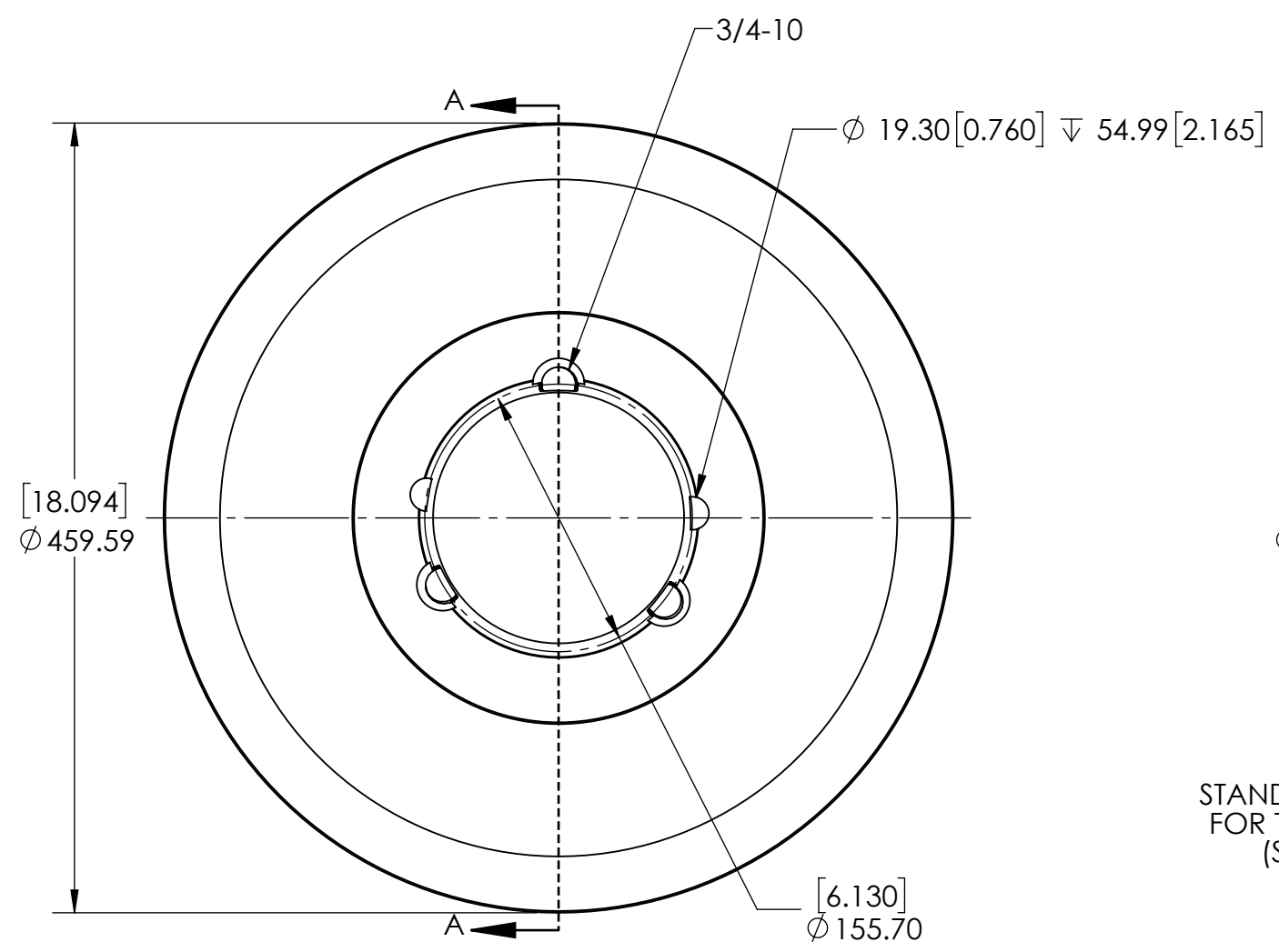


9 8 7 6 5 4 3 2 1

G
F
E
D
C
B
A

G
F
E
D
C
B
A



SECTION A-A

NOTES:
 1. TB BUSHING SIZE: 4545
 2. UNITS: mm [INCHES].

SOLVE INDUSTRIAL MOTION GROUP		WEIGHT	62.12 KG				
		MATERIAL	CAST IRON				
		COATING	GREY PAINT				
		DRAWN	MTC	09/02/2025			
		CHECKED					
		APPROVED			DATE	BY	REVISION DESCRIPTION
SIZE	PTI	THIRD ANGLE PROJECTION		ITEM DESCRIPTION:			REV
DWG. NO.		PROPRIETARY AND CONFIDENTIAL THE INFORMATION CONTAINED IN THIS DRAWING IS THE SOLE PROPERTY OF SOLVE IMG. ANY REPRODUCTION IN PART OR AS A WHOLE WITHOUT THE WRITTEN PERMISSION OF SOLVE IMG IS PROHIBITED.		SPC450X6-4545			SCALE
							1:4
							REV
							-

9 8 7 6 5 4 3 2 1