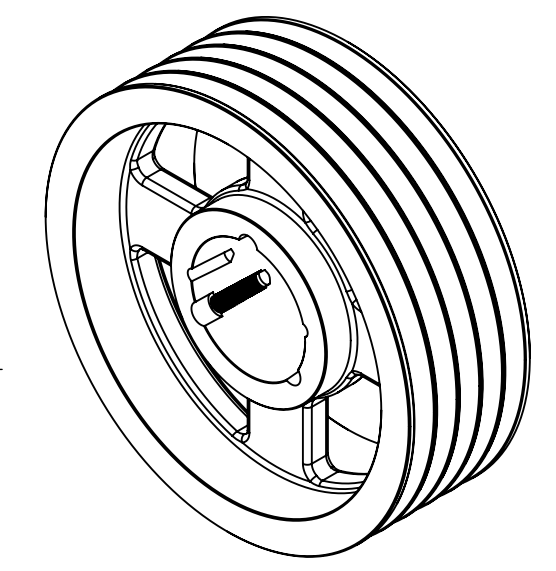
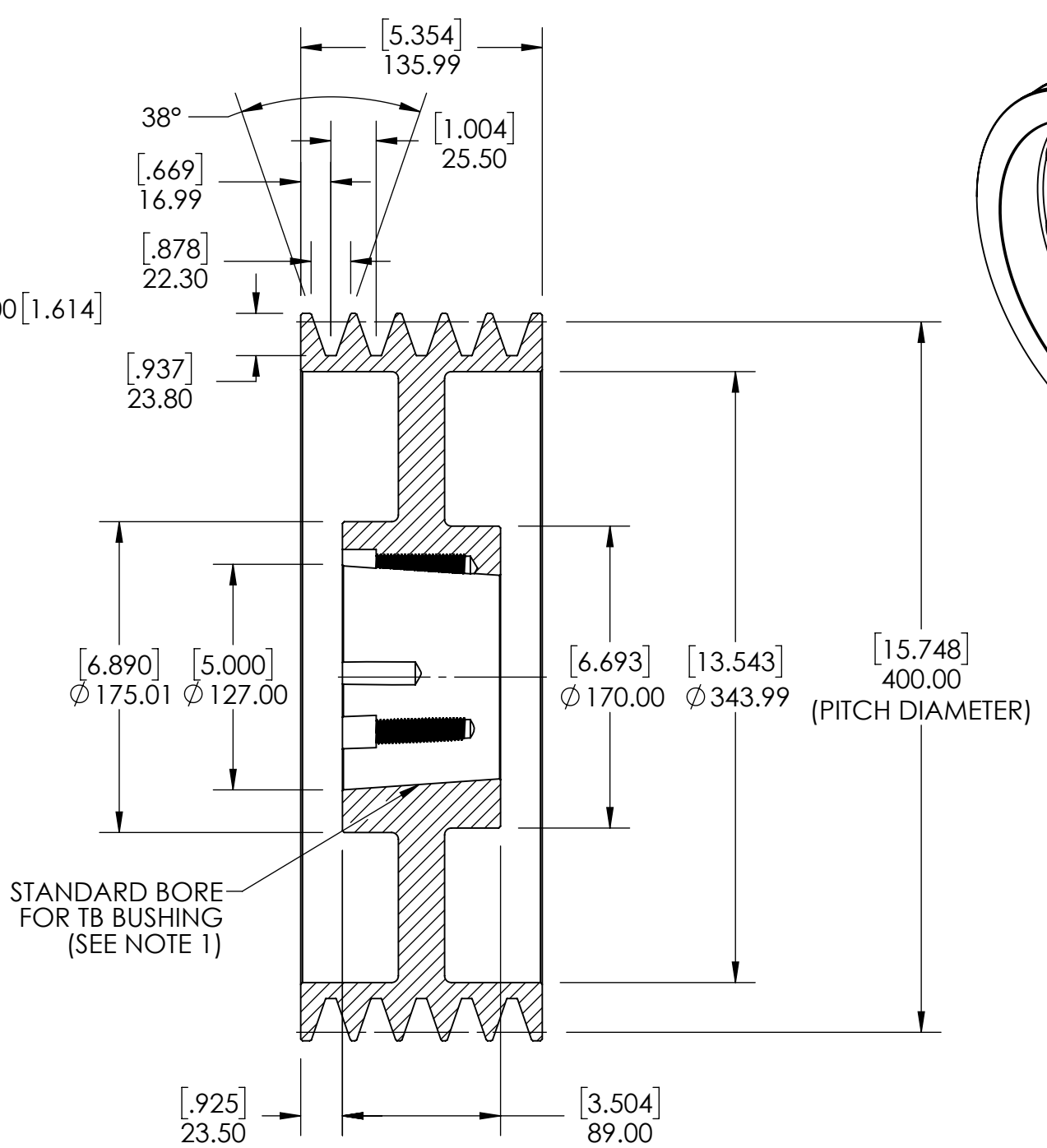
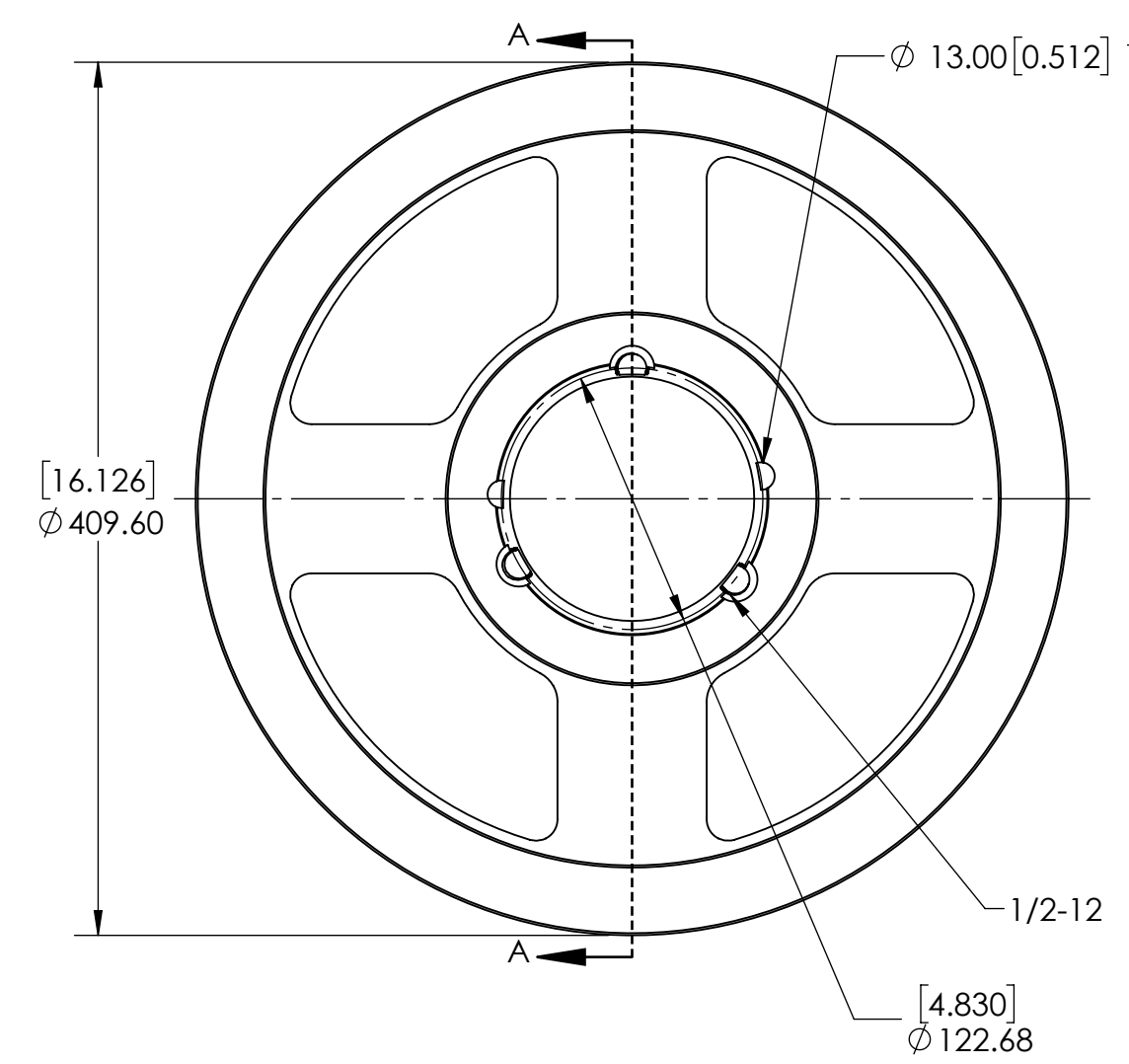


9 8 7 6 5 4 3 2 1

G  
F  
E  
D  
C  
B  
A

G  
F  
E  
D  
C  
B  
A



STANDARD BORE FOR TB BUSHING (SEE NOTE 1)

SECTION A-A

NOTES:  
 1. TB BUSHING SIZE: 3535  
 2. UNITS: mm [INCHES].

<b>SOLVE</b> INDUSTRIAL MOTION GROUP		WEIGHT	36.25 KG				
		MATERIAL	CAST IRON				
		COATING	GREY PAINT				
		DRAWN	MTC	09/02/2025			
SIZE	<b>PTI</b>	CHECKED					
		APPROVED			DATE	BY	REVISION DESCRIPTION
DWG. NO.		THIRD ANGLE PROJECTION		ITEM DESCRIPTION:			REV
		<small>PROPRIETARY AND CONFIDENTIAL</small> <small>THE INFORMATION CONTAINED IN THIS DRAWING IS THE SOLE PROPERTY OF SOLVE IMG. ANY REPRODUCTION IN PART OR AS A WHOLE WITHOUT THE WRITTEN PERMISSION OF SOLVE IMG IS PROHIBITED.</small>		SPC400X5-3535			SCALE
							1:3.5
							REV
							-

9 8 7 6 5 4 3 2 1