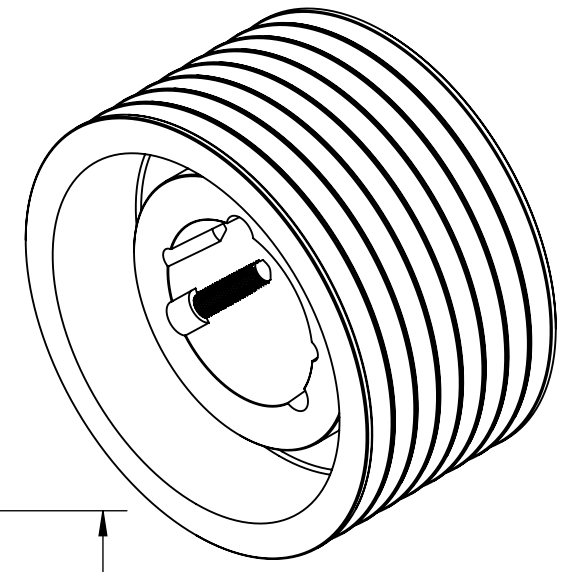
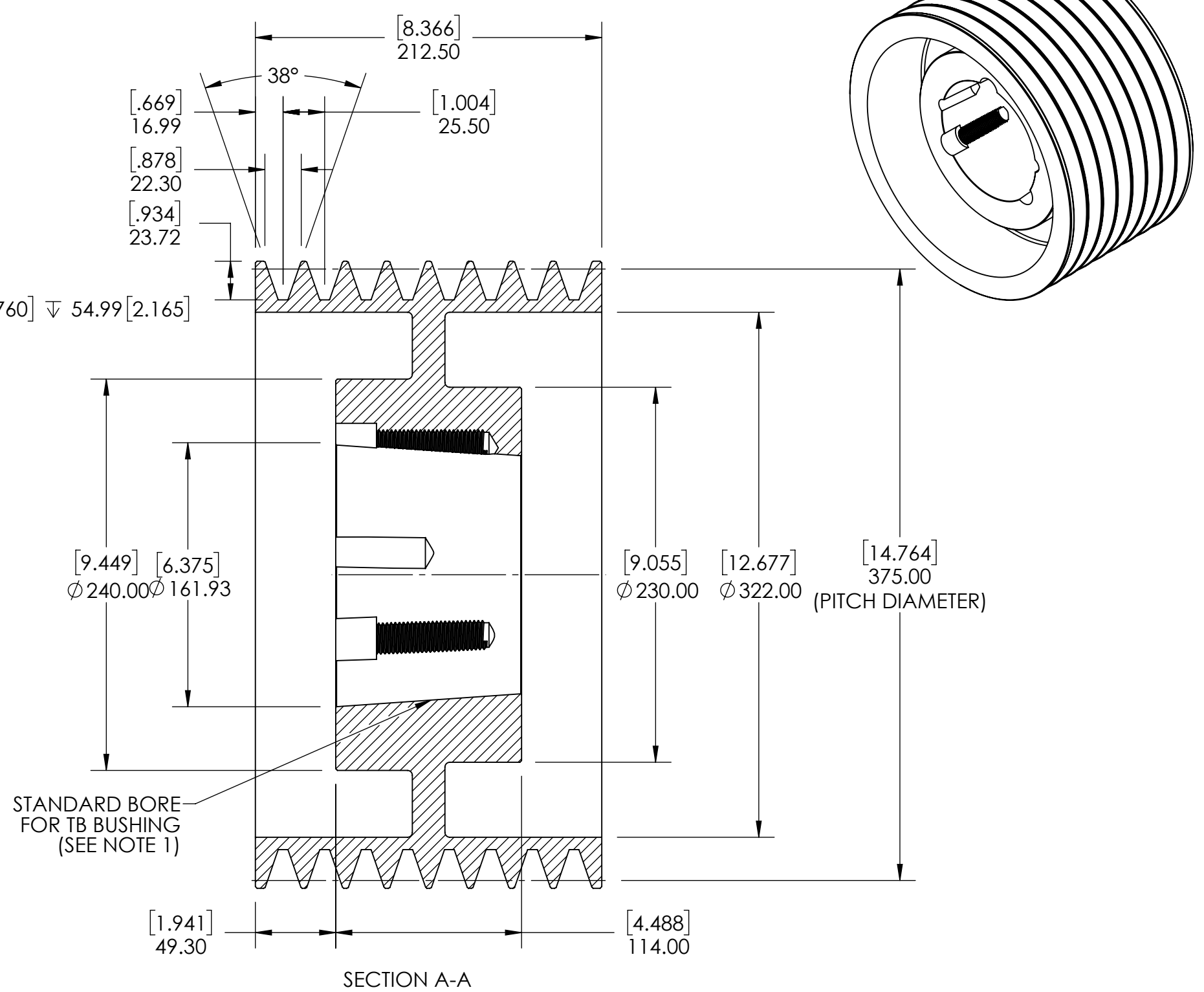
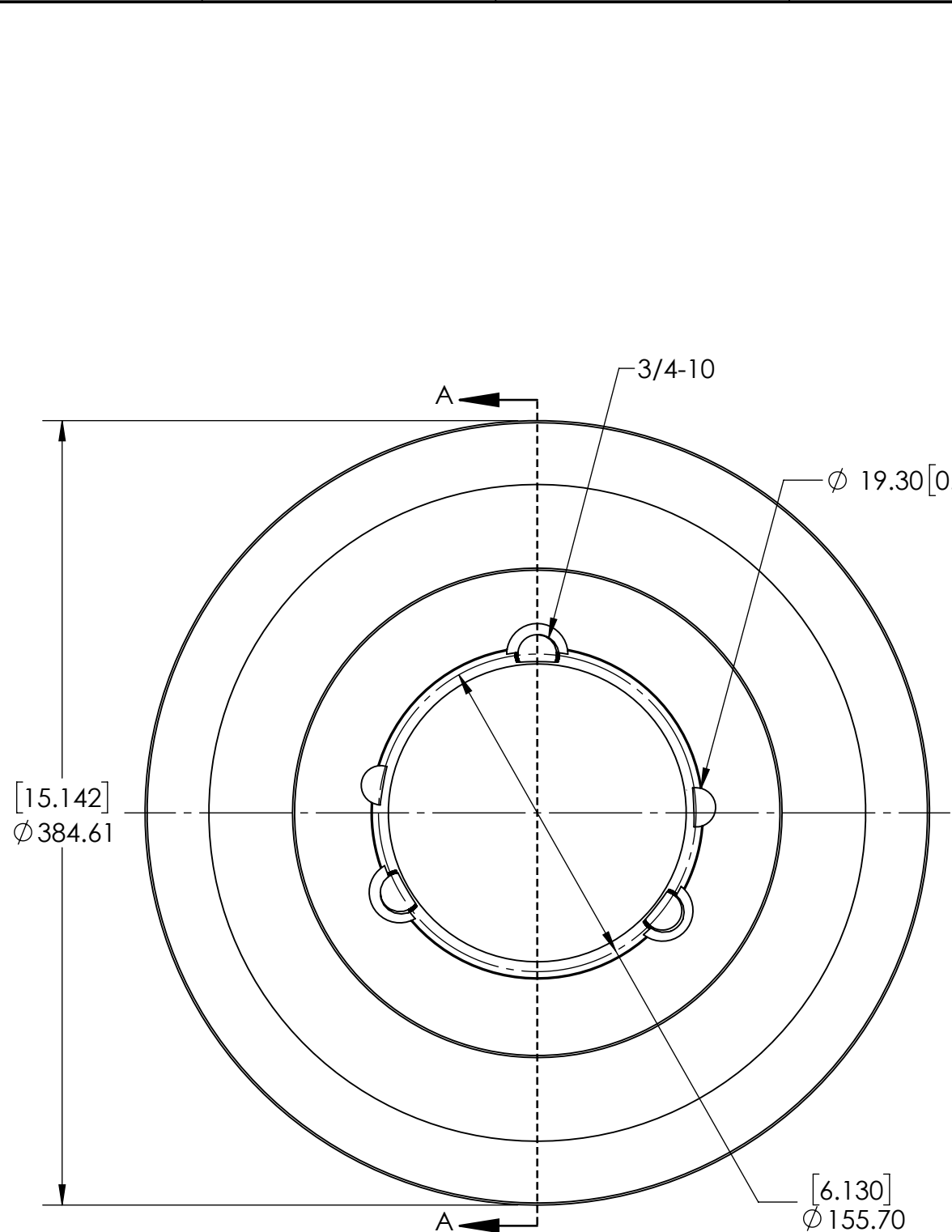


9 8 7 6 5 4 3 2 1

G  
F  
E  
D  
C  
B  
A

G  
F  
E  
D  
C  
B  
A



NOTES:  
1. TB BUSHING SIZE: 4545  
2. UNITS: mm [INCHES].

<b>SOLVE</b> INDUSTRIAL MOTION GROUP		WEIGHT	56.24 KG					
		MATERIAL	CAST IRON					
		COATING	GREY PAINT					
		DRAWN	MTC	09/02/2025				
SIZE	<b>PTI</b>	CHECKED						
B		APPROVED			DATE	BY	REVISION DESCRIPTION	REV
DWG. NO.		THIRD ANGLE PROJECTION		ITEM DESCRIPTION:				SCALE
		PROPRIETARY AND CONFIDENTIAL THE INFORMATION CONTAINED IN THIS DRAWING IS THE SOLE PROPERTY OF SOLVE IMG. ANY REPRODUCTION IN PART OR AS A WHOLE WITHOUT THE WRITTEN PERMISSION OF SOLVE IMG IS PROHIBITED.		SPC375X8-4545				REV
								-

9 8 7 6 5 4 3 2 1 1:3