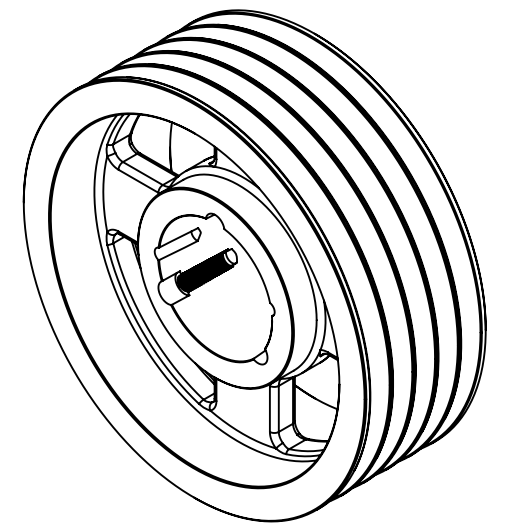
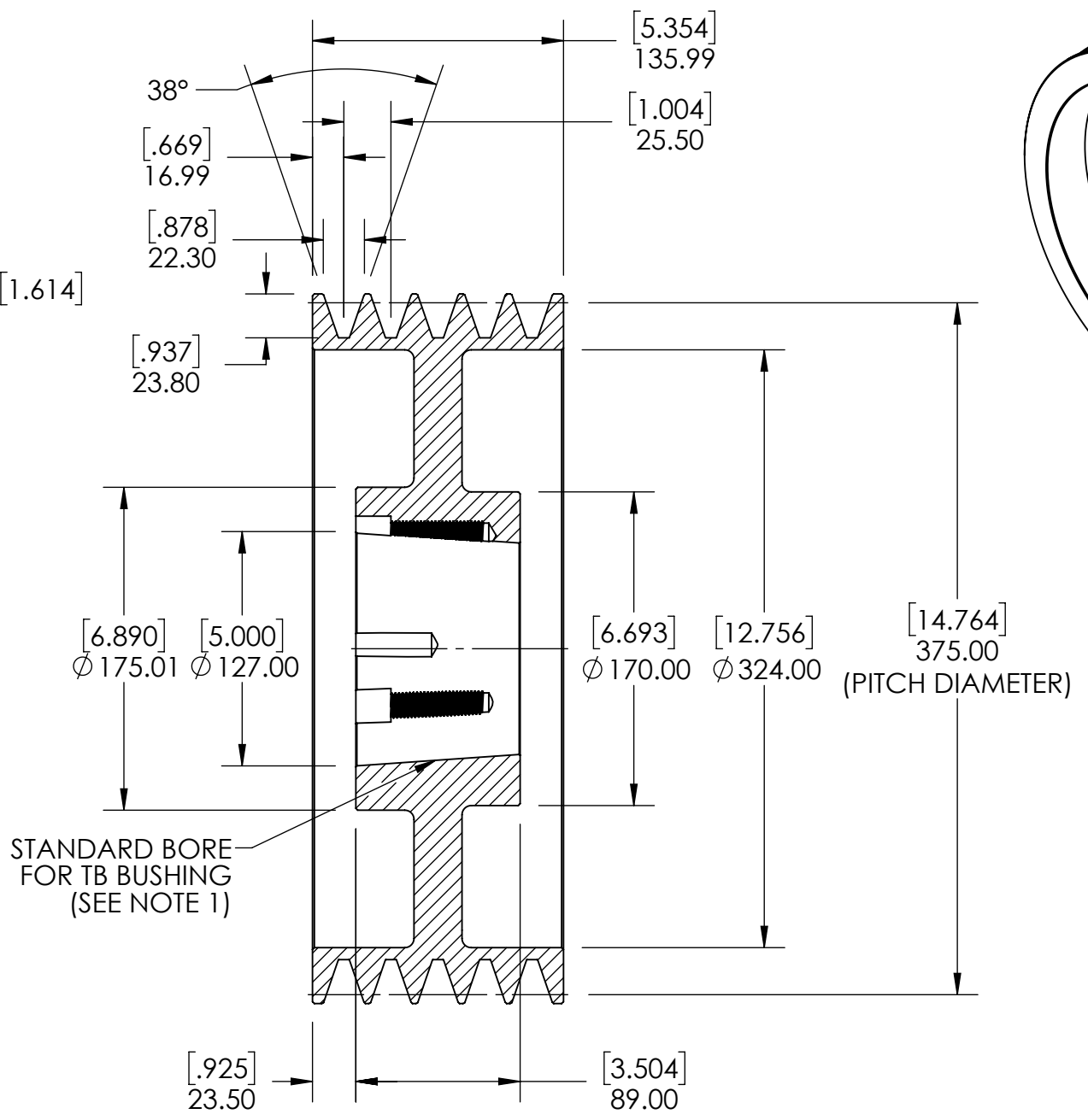
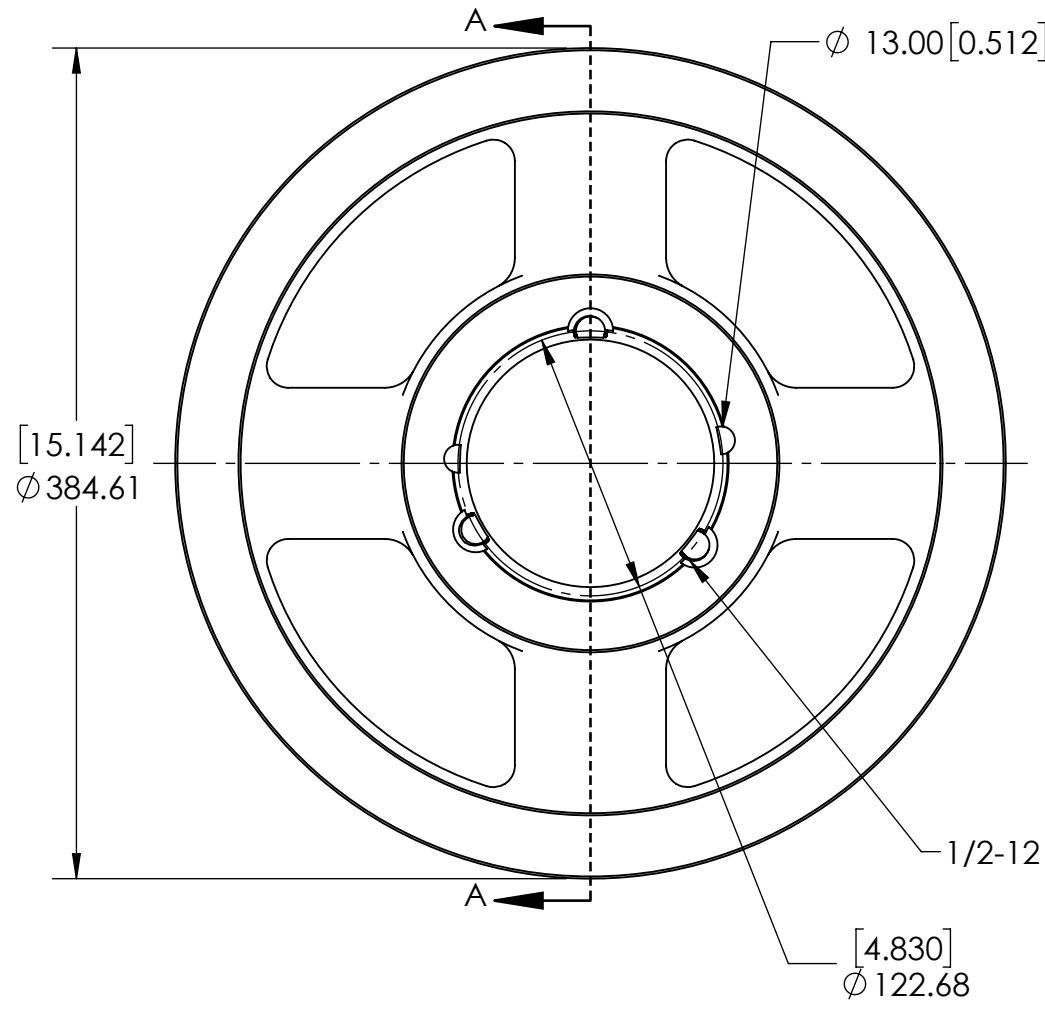


9 8 7 6 5 4 3 2 1

G
F
E
D
C
B
A

G
F
E
D
C
B
A



SECTION A-A

NOTES:
 1. TB BUSHING SIZE: 3535
 2. UNITS: mm [INCHES].

		WEIGHT	31.69 KG				
		MATERIAL	CAST IRON				
		COATING	GREY PAINT				
		DRAWN	MTC 09/02/2025				
SIZE		CHECKED					
B		APPROVED		DATE	BY	REVISION DESCRIPTION	REV
DWG. NO.				ITEM DESCRIPTION:			SCALE
		<small>PROPRIETARY AND CONFIDENTIAL</small> <small>THE INFORMATION CONTAINED IN THIS DRAWING IS THE SOLE PROPERTY OF SOLVE IMG. ANY REPRODUCTION IN PART OR AS A WHOLE WITHOUT THE WRITTEN PERMISSION OF SOLVE IMG IS PROHIBITED.</small>		SPC375X5-3535			1:3.5
							REV
							-

9 8 7 6 5 4 3 2 1