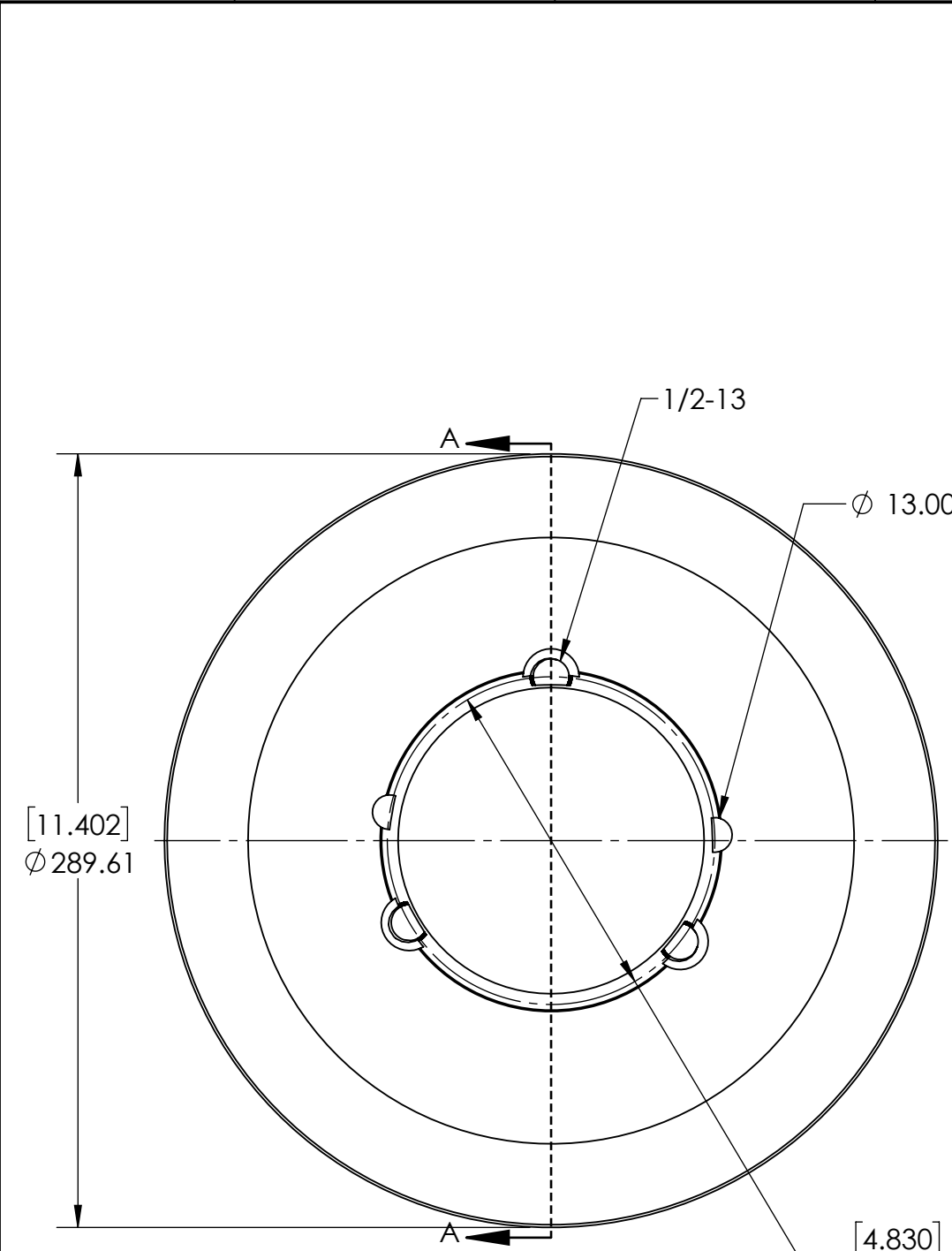
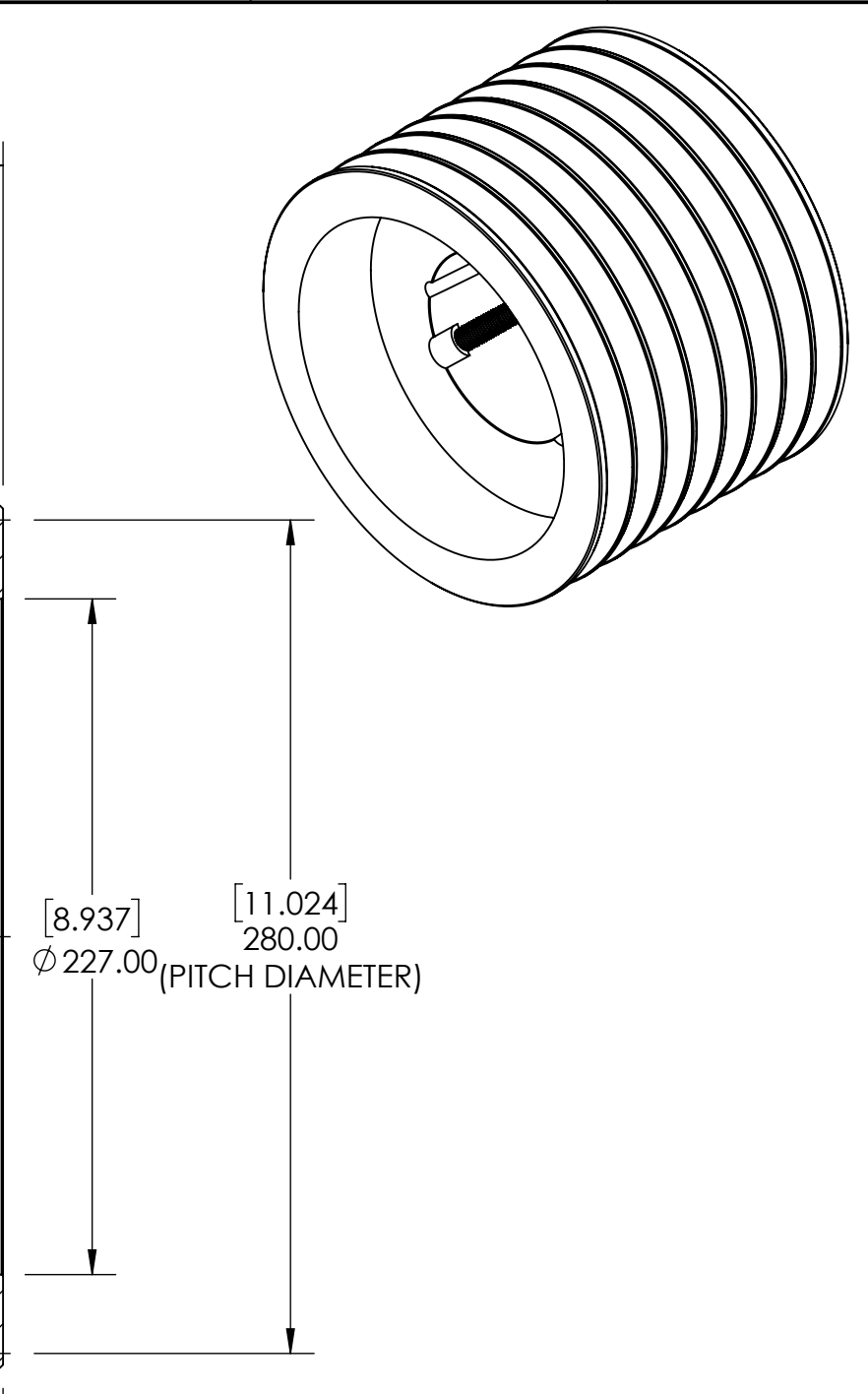
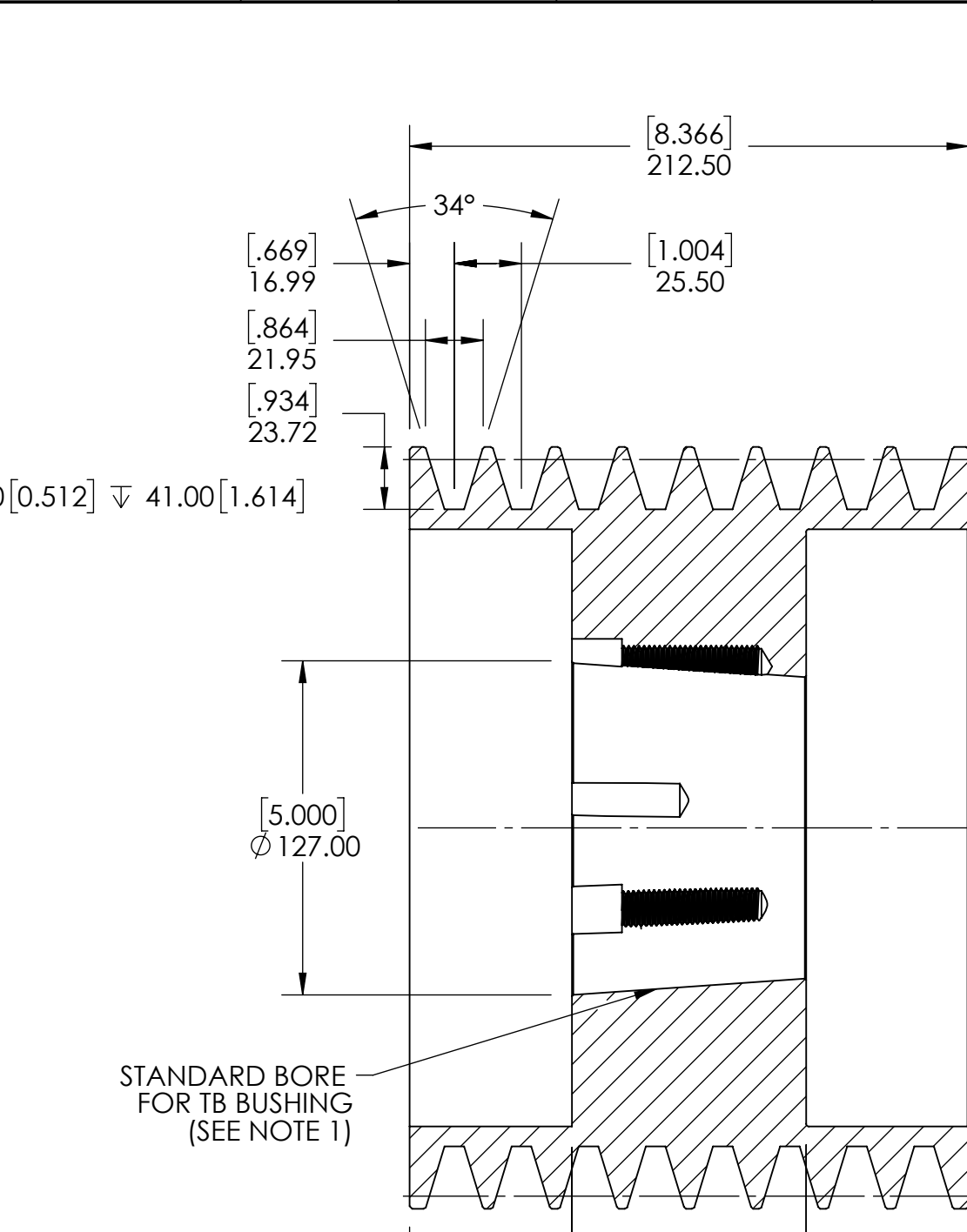


9 8 7 6 5 4 3 2 1

G F E D C B A



NOTES:
 1. TB BUSHING SIZE: 3535
 2. UNITS: mm[INCHES].



SECTION A-A

STANDARD BORE FOR TB BUSHING (SEE NOTE 1)

Dimensions: [11.402] Ø 289.61, [4.830] Ø 122.68, [8.366] 212.50, [1.004] 25.50, [0.669] 16.99, [0.864] 21.95, [0.934] 23.72, [5.000] Ø 127.00, [8.937] Ø 227.00 (PITCH DIAMETER), [11.024] 280.00, [2.429] 61.70, [3.504] 89.00, [2.433] 61.80

SOLVE INDUSTRIAL MOTION GROUP		WEIGHT	40.20 KG				
		MATERIAL	CAST IRON				
		COATING	GREY PAINT				
		DRAWN	MTC	09/02/2025			
		CHECKED	PT	09/08/2025			
		APPROVED			DATE	BY	REVISION DESCRIPTION
SIZE	PTI	THIRD ANGLE PROJECTION		ITEM DESCRIPTION:			REV
DWG. NO.		PROPRIETARY AND CONFIDENTIAL		SPC280X8-3535			SCALE
		THE INFORMATION CONTAINED IN THIS DRAWING IS THE SOLE PROPERTY OF SOLVE IMG. ANY REPRODUCTION IN PART OR AS A WHOLE WITHOUT THE WRITTEN PERMISSION OF SOLVE IMG IS PROHIBITED.					REV
							-

9 8 7 6 5 4 3 2 1

A