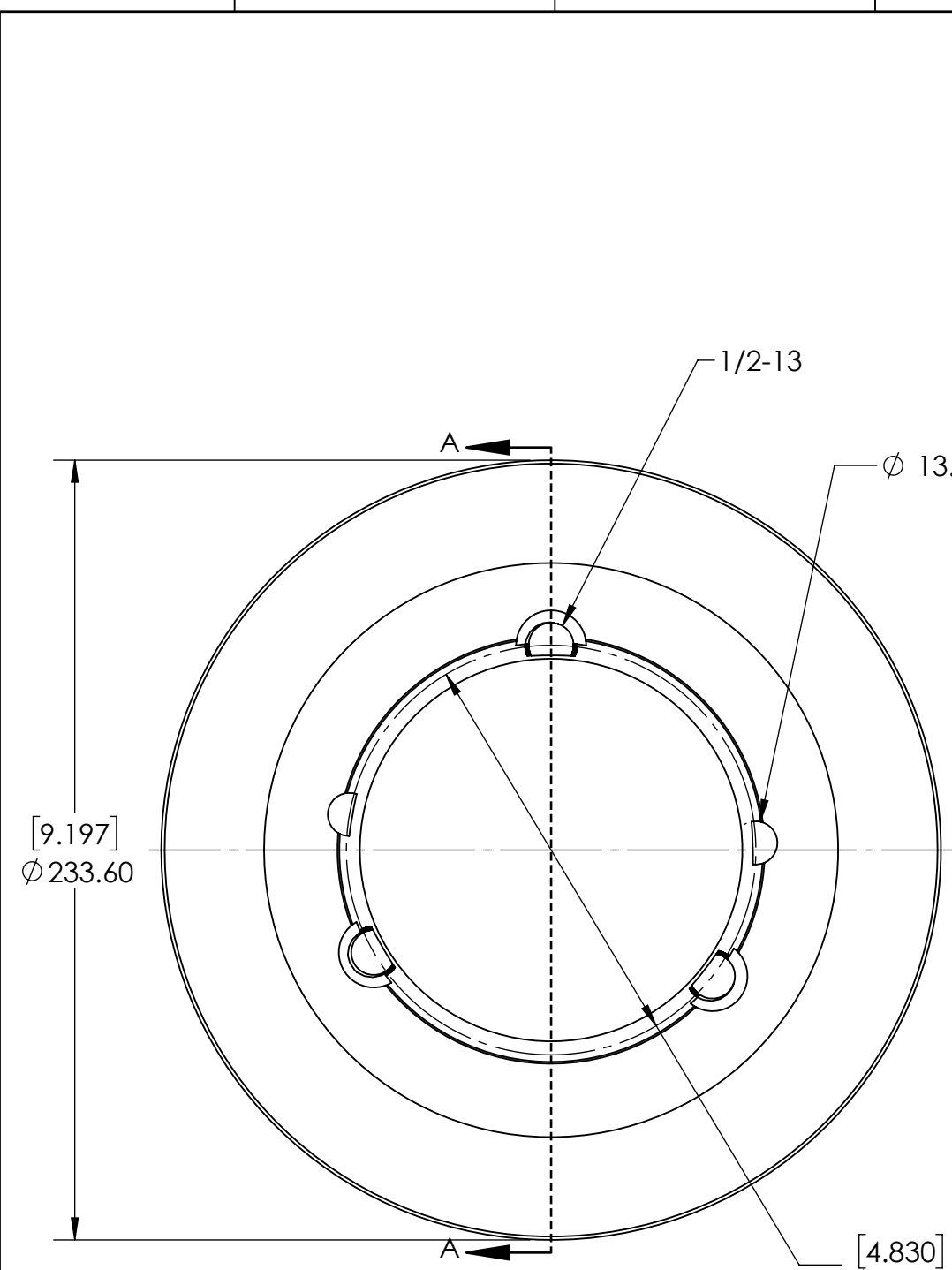
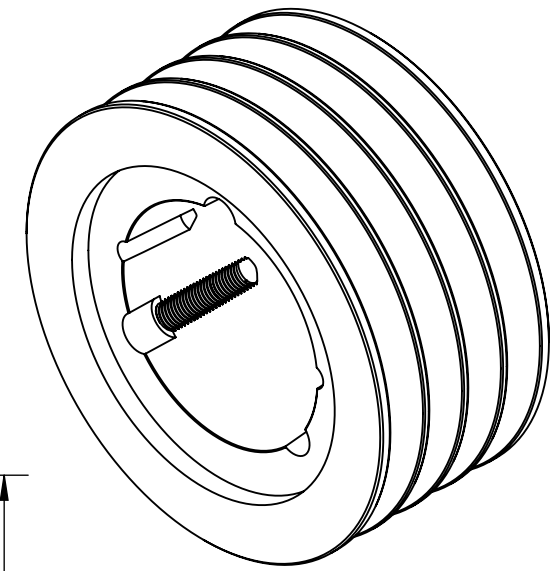
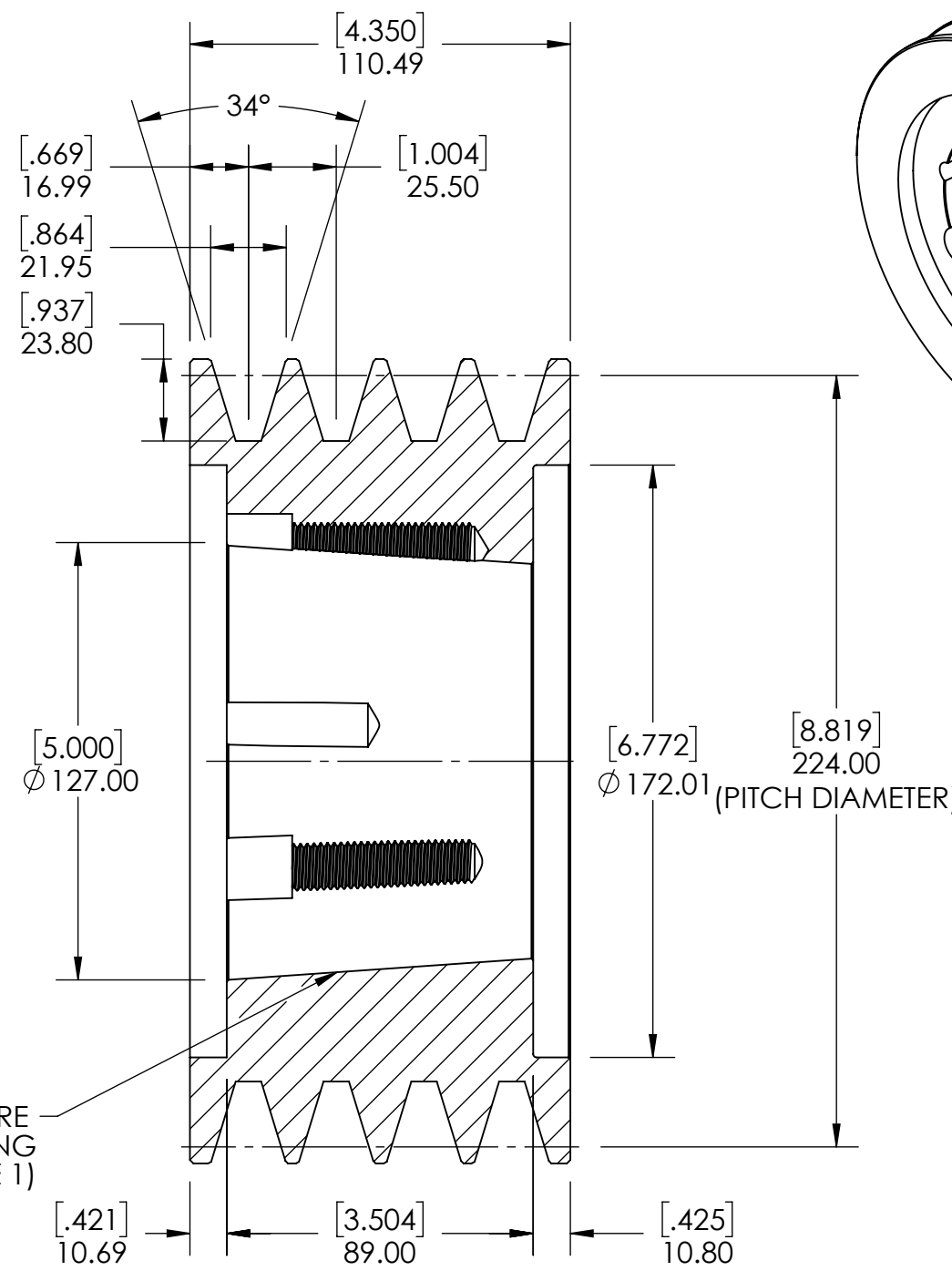


9 8 7 6 5 4 3 2 1

G F E D C B A



STANDARD BORE FOR TB BUSHING (SEE NOTE 1)



SECTION A-A

NOTES:  
 1. TB BUSHING SIZE: 3535  
 2. UNITS: mm[INCHES].

<b>SOLVE</b> INDUSTRIAL MOTION GROUP		WEIGHT	16.17 KG				
		MATERIAL	CAST IRON				
		COATING	GREY PAINT				
		DRAWN	MTC	09/02/2025			
		CHECKED	PT	09/08/2025			
		APPROVED			DATE	BY	REVISION DESCRIPTION
SIZE	<b>PTI</b>	THIRD ANGLE PROJECTION		ITEM DESCRIPTION:			REV
DWG. NO.		PROPRIETARY AND CONFIDENTIAL		SPC224X4-3535			SCALE
		THE INFORMATION CONTAINED IN THIS DRAWING IS THE SOLE PROPERTY OF SOLVE IMG. ANY REPRODUCTION IN PART OR AS A WHOLE WITHOUT THE WRITTEN PERMISSION OF SOLVE IMG IS PROHIBITED.					1:2
							REV
							-

9 8 7 6 5 4 3 2 1

A