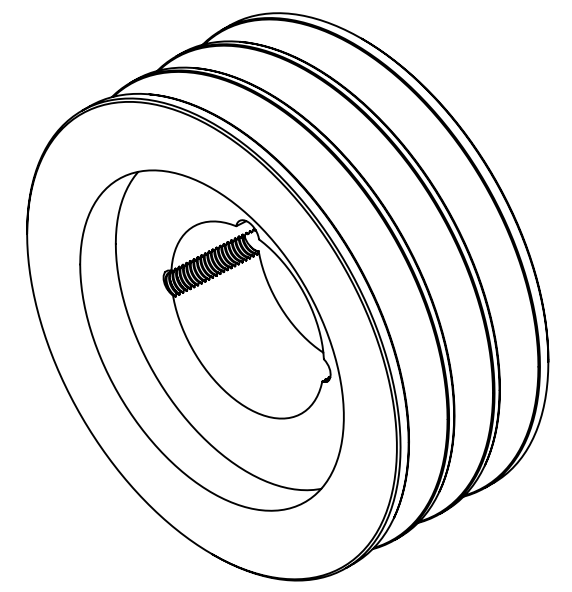
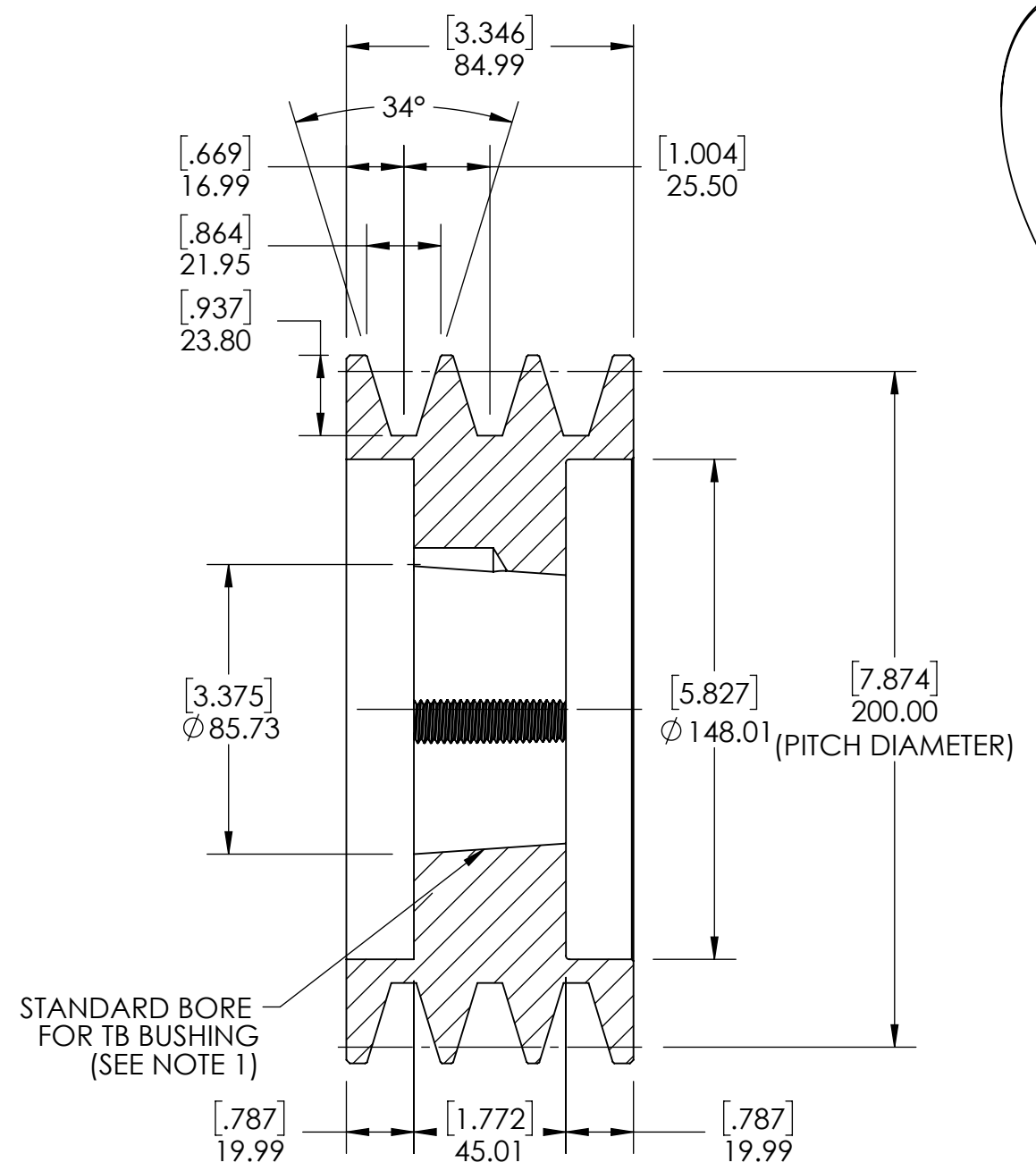
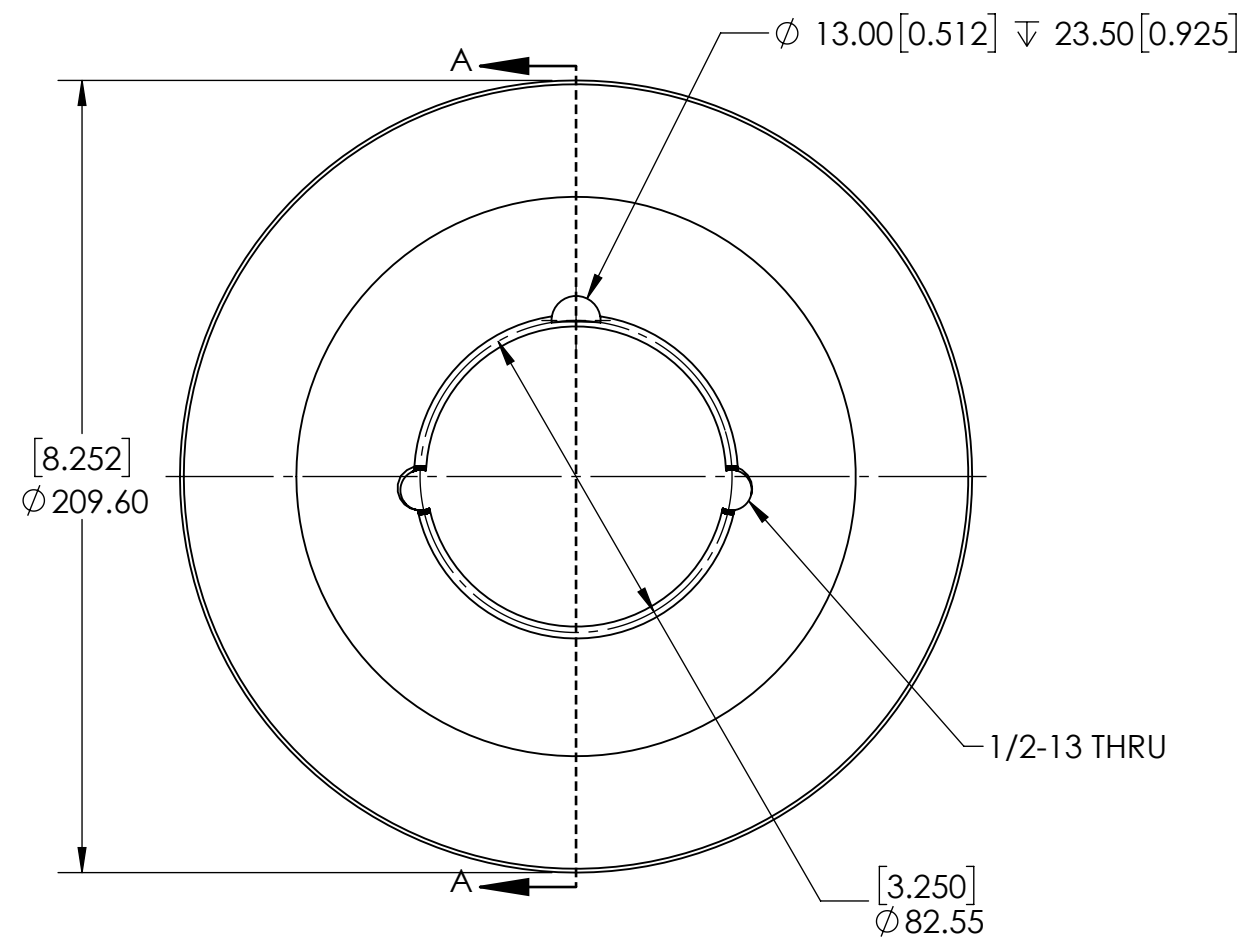


9 8 7 6 5 4 3 2 1

G  
F  
E  
D  
C  
B  
A

G  
F  
E  
D  
C  
B  
A



STANDARD BORE FOR TB BUSHING (SEE NOTE 1)

SECTION A-A

NOTES:  
1. TB BUSHING SIZE: 2517  
2. UNITS: mm[INCHES].

<b>SOLVE</b> INDUSTRIAL MOTION GROUP		WEIGHT	9.88 KG				
		MATERIAL	CAST IRON				
		COATING	GREY PAINT				
		DRAWN	MTC 09/02/2025				
		CHECKED	PT 09/08/2025				
		APPROVED		DATE	BY	REVISION DESCRIPTION	REV
SIZE	<b>PTI</b>	THIRD ANGLE PROJECTION		ITEM DESCRIPTION:			SCALE
DWG. NO.		PROPRIETARY AND CONFIDENTIAL		SPC200X3-2517			1:2
		THE INFORMATION CONTAINED IN THIS DRAWING IS THE SOLE PROPERTY OF SOLVE IMG. ANY REPRODUCTION IN PART OR AS A WHOLE WITHOUT THE WRITTEN PERMISSION OF SOLVE IMG IS PROHIBITED.					REV
							-

9 8 7 6 5 4 3 2 1