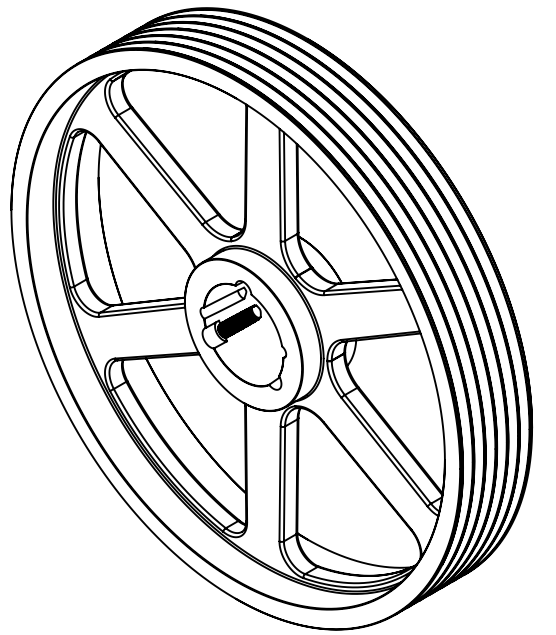
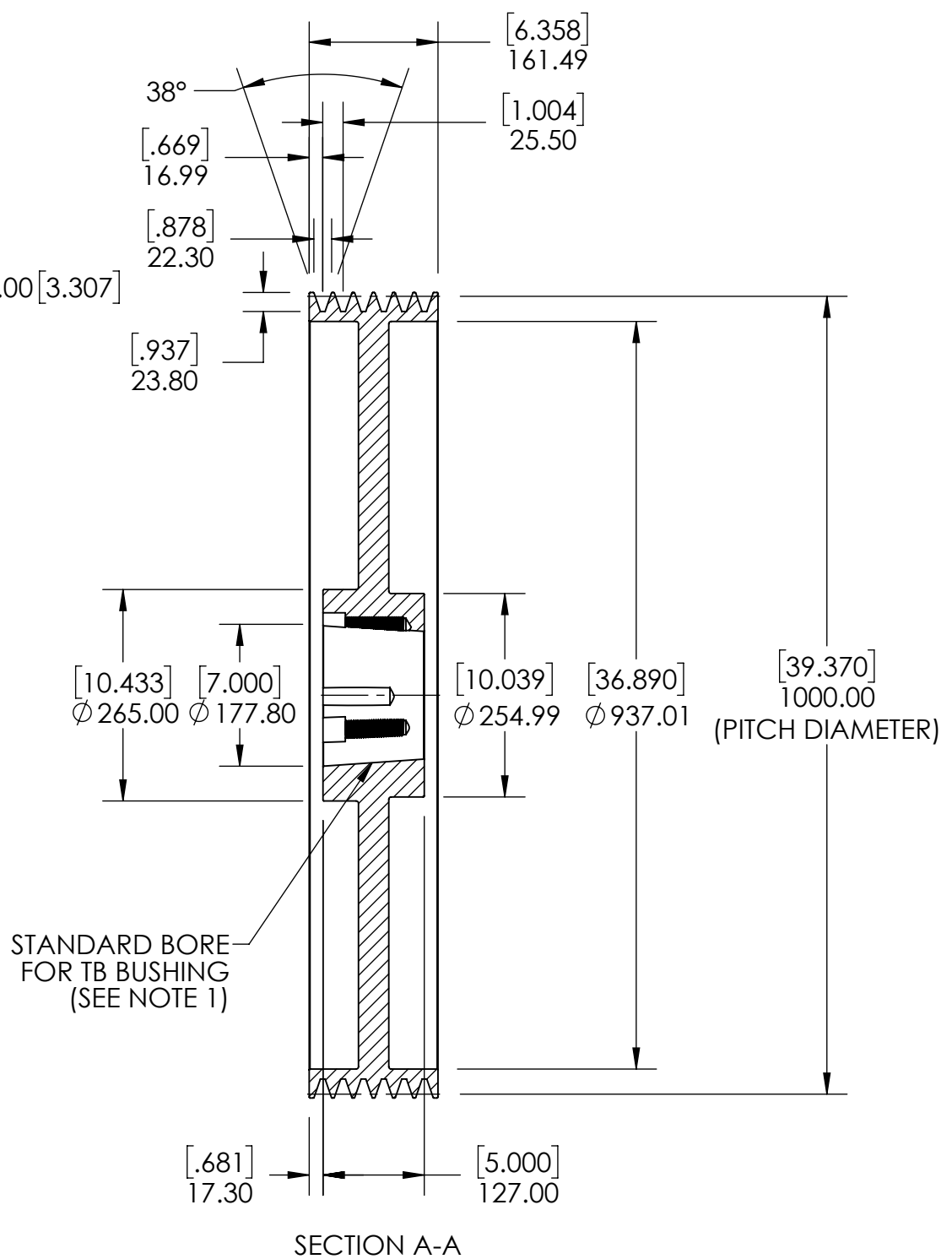
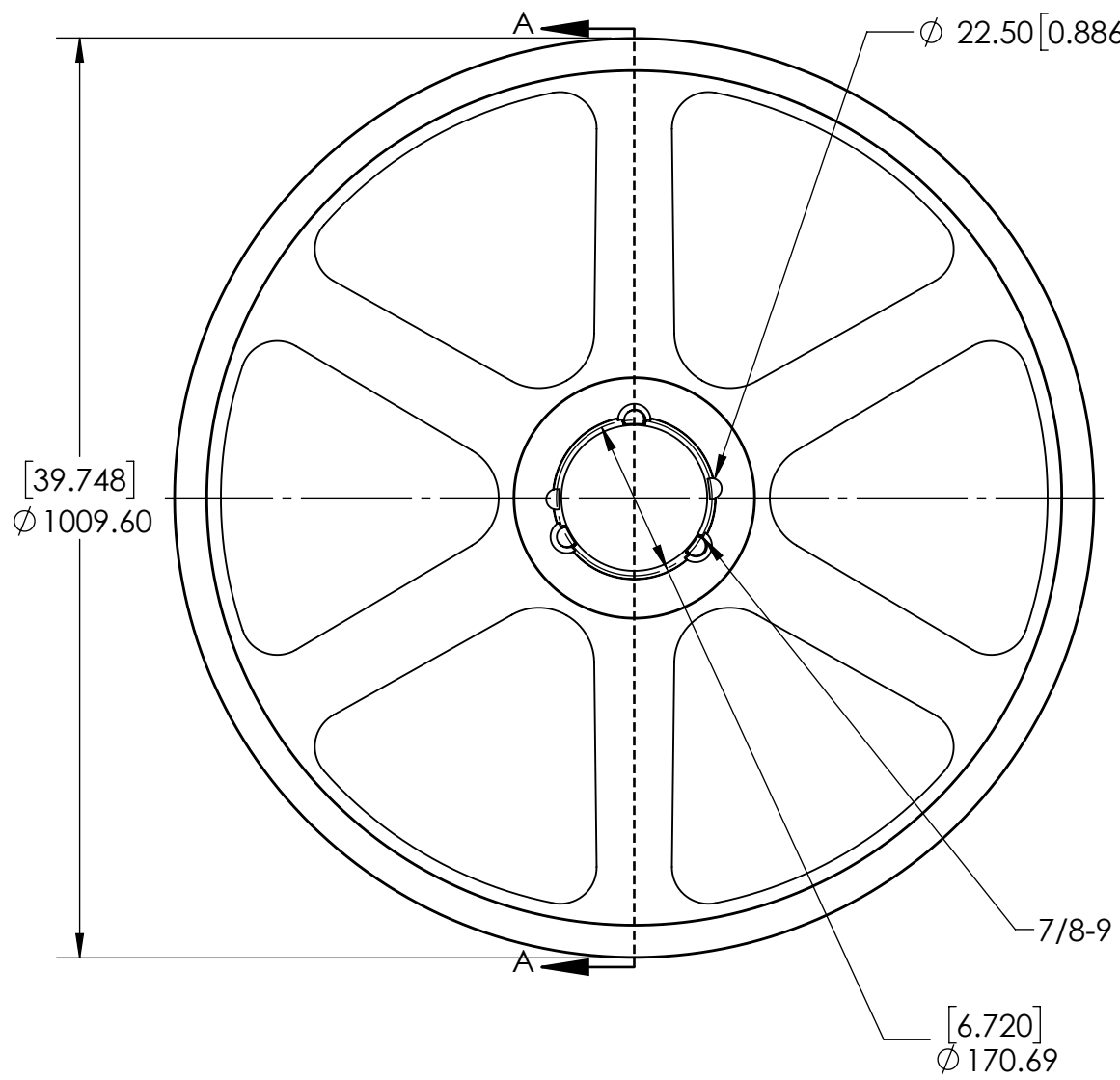


9 8 7 6 5 4 3 2 1

G
F
E
D
C
B
A

G
F
E
D
C
B
A



NOTES:
 1. TB BUSHING SIZE: 5050
 2. UNITS: mm [INCHES].

		WEIGHT	172.15 KG				
		MATERIAL	CAST IRON				
		COATING	GREY PAINT				
		DRAWN	MTC 09/02/2025				
SIZE	B	CHECKED		DATE	BY	REVISION DESCRIPTION	REV
DWG. NO.		APPROVED		ITEM DESCRIPTION:		SPC1000X6-5050	SCALE
		THIRD ANGLE PROJECTION					1:8
		<small>PROPRIETARY AND CONFIDENTIAL THE INFORMATION CONTAINED IN THIS DRAWING IS THE SOLE PROPERTY OF SOLVE IMG. ANY REPRODUCTION IN PART OR AS A WHOLE WITHOUT THE WRITTEN PERMISSION OF SOLVE IMG IS PROHIBITED.</small>					REV
							-

9 8 7 6 5 4 3 2 1