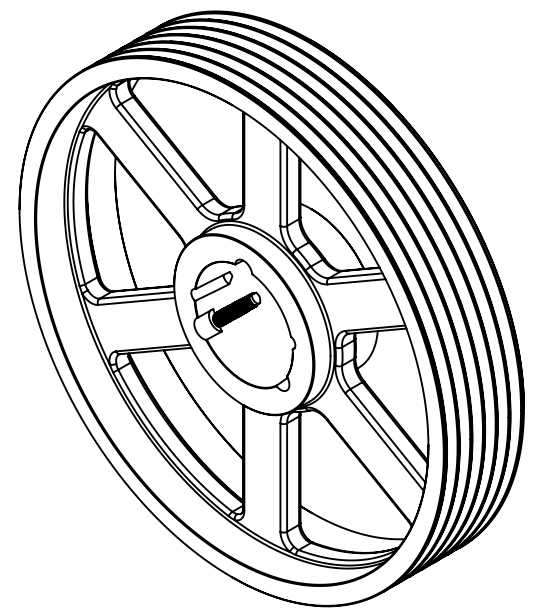
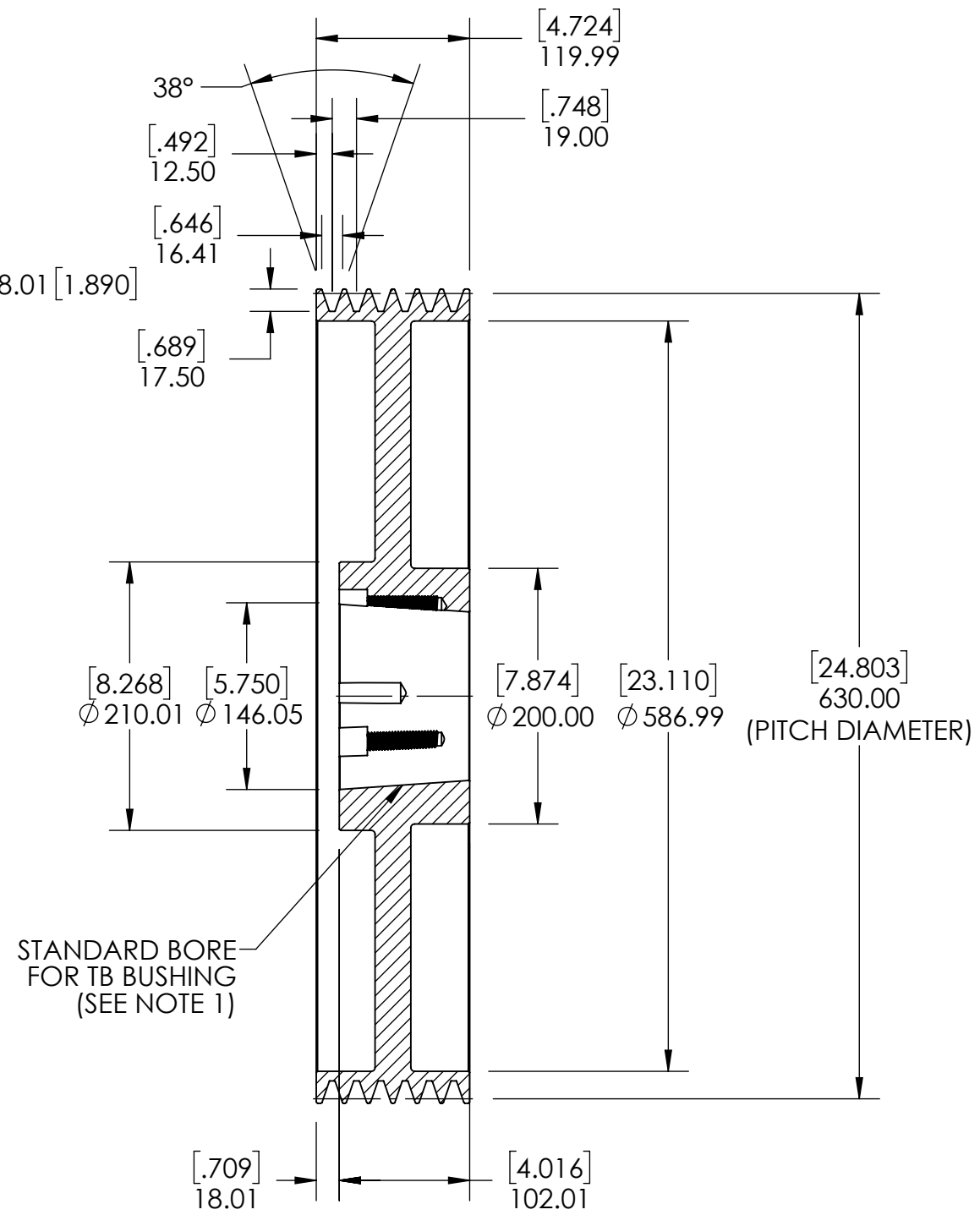
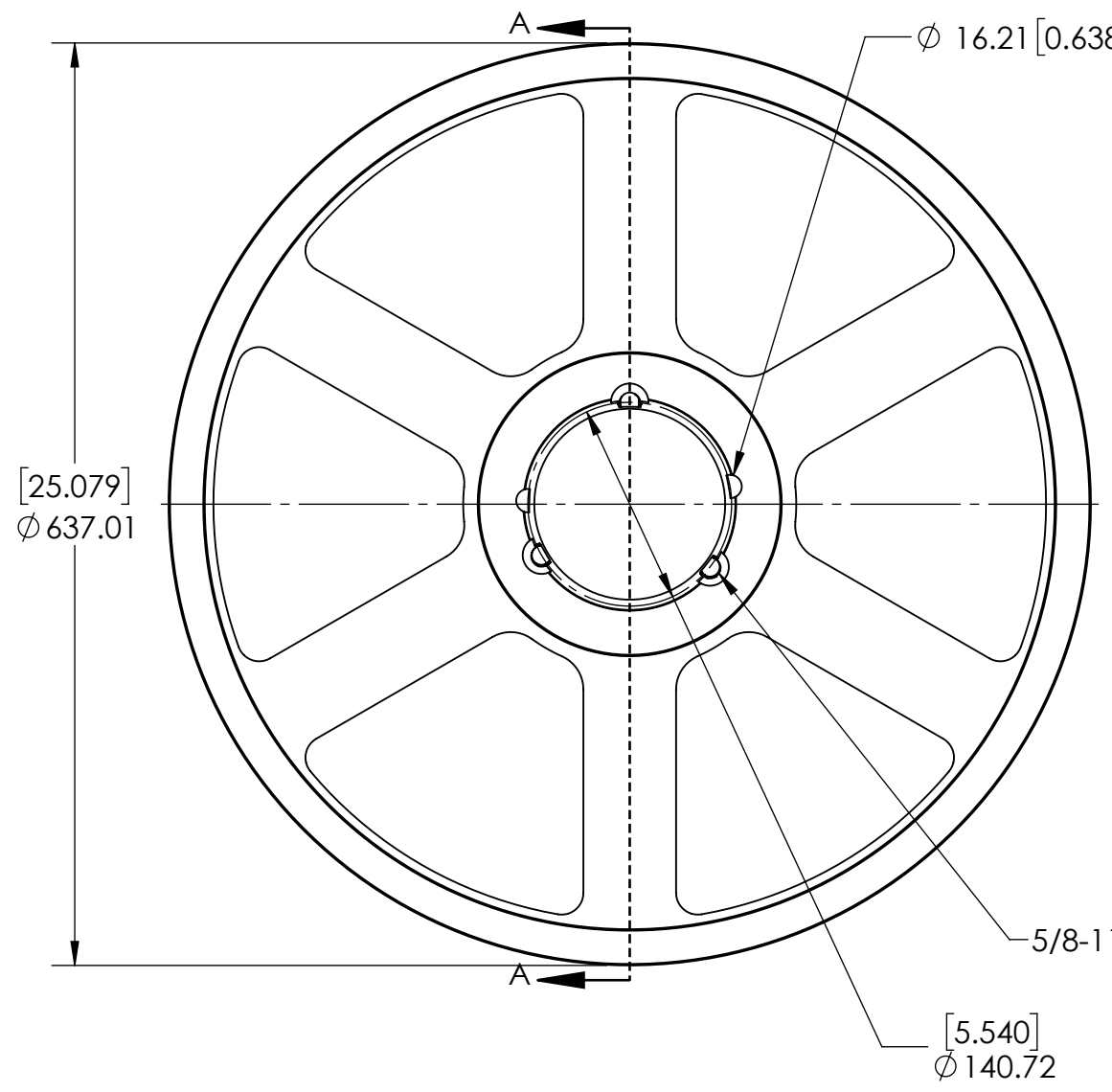


9 8 7 6 5 4 3 2 1

G  
F  
E  
D  
C  
B  
A

G  
F  
E  
D  
C  
B  
A



NOTES:  
1. TB BUSHING SIZE: 4040  
2. UNITS: mm [INCHES].

<b>SOLVE</b> INDUSTRIAL MOTION GROUP		WEIGHT	56.15 KG					
		MATERIAL	CAST IRON					
		COATING	GREY PAINT					
		DRAWN	MTC	09/02/2025				
		CHECKED						
		APPROVED			DATE	BY	REVISION DESCRIPTION	REV
SIZE <b>B</b>		<b>PTI</b>						SCALE
DWG. NO.		PROPRIETARY AND CONFIDENTIAL <small>THE INFORMATION CONTAINED IN THIS DRAWING IS THE SOLE PROPERTY OF SOLVE IMG. ANY REPRODUCTION IN PART OR AS A WHOLE WITHOUT THE WRITTEN PERMISSION OF SOLVE IMG IS PROHIBITED.</small>		ITEM DESCRIPTION:		SPB630X6-4040		1:5
								REV
								-

9 8 7 6 5 4 3 2 1