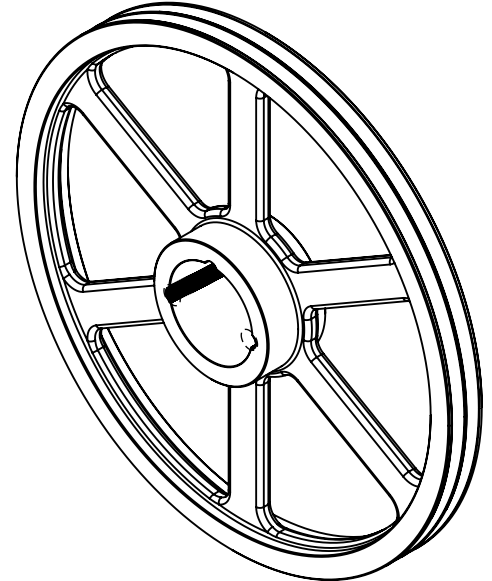
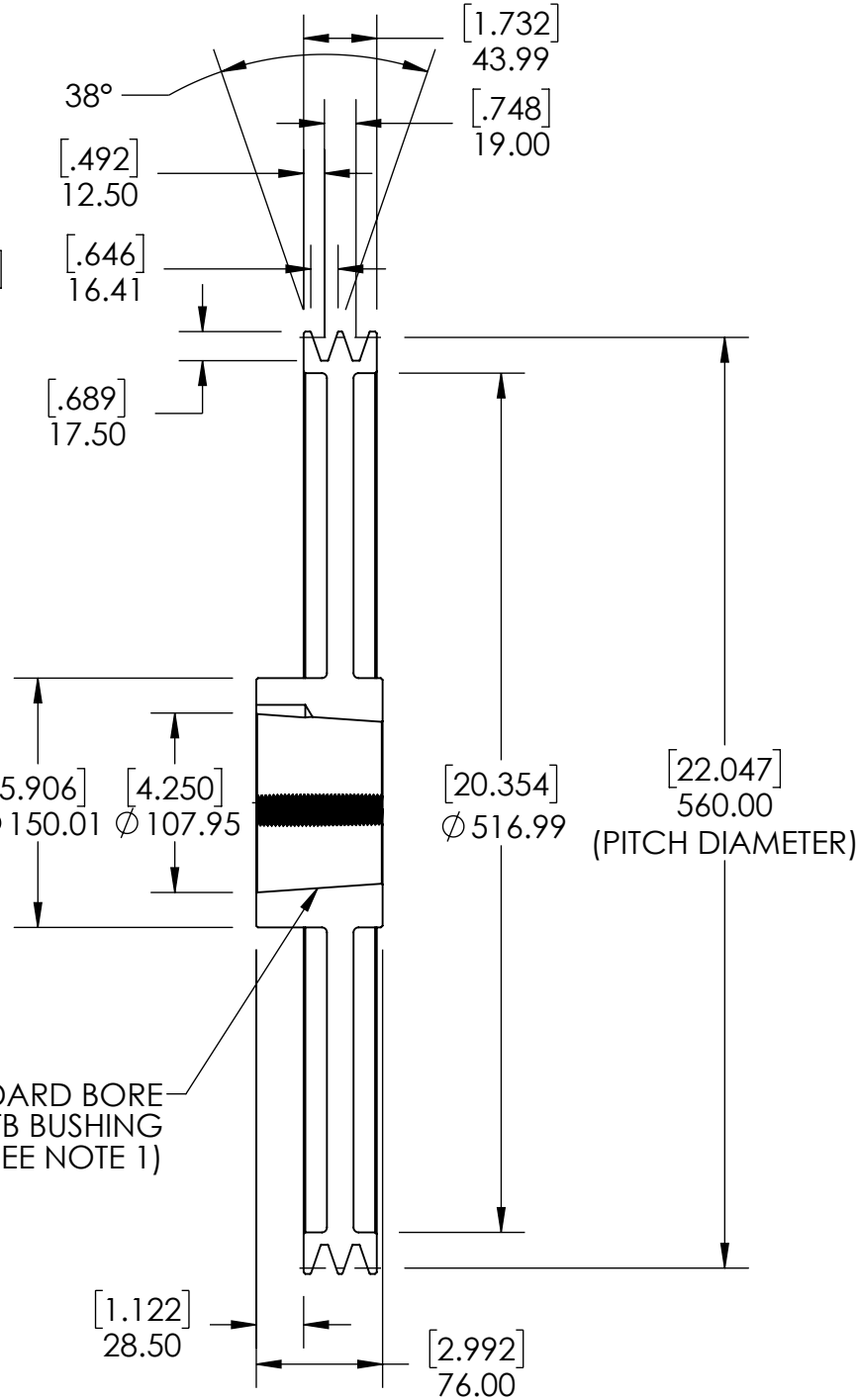
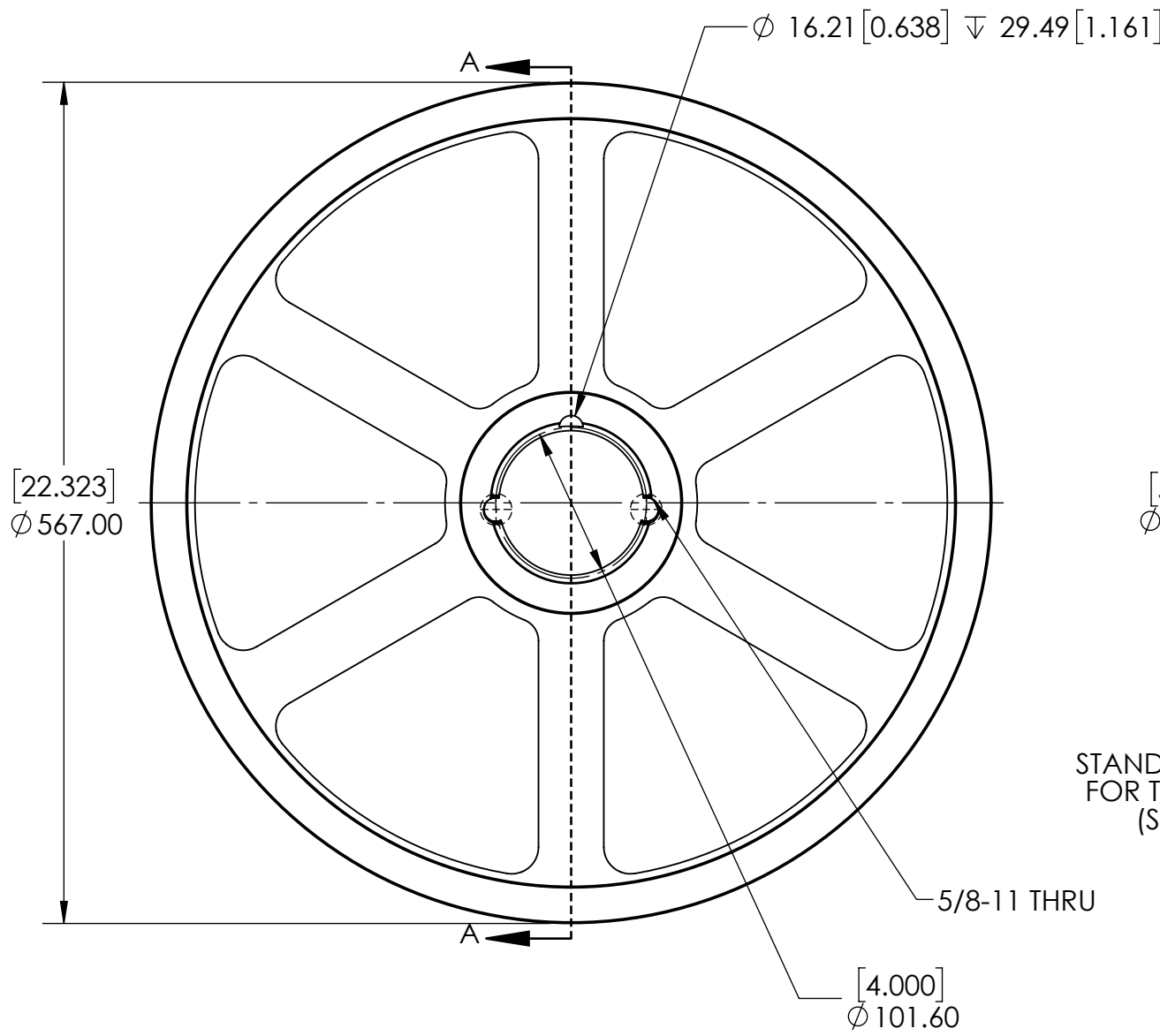


9 8 7 6 5 4 3 2 1

G
F
E
D
C
B
A

G
F
E
D
C
B
A



STANDARD BORE FOR TB BUSHING (SEE NOTE 1)

NOTES:
1. TB BUSHING SIZE: 3020
2. UNITS: mm [INCHES].

SOLVE INDUSTRIAL MOTION GROUP		WEIGHT	20.54 KG				
		MATERIAL	CAST IRON				
		COATING	GREY PAINT				
		DRAWN	MTC 09/02/2025				
		CHECKED	PT 09/08/2025				
		APPROVED		DATE	BY	REVISION DESCRIPTION	REV
SIZE	PTI	THIRD ANGLE PROJECTION		ITEM DESCRIPTION:			SCALE
DWG. NO.		PROPRIETARY AND CONFIDENTIAL		SPB560X2-3020			1:4.5
		THE INFORMATION CONTAINED IN THIS DRAWING IS THE SOLE PROPERTY OF SOLVE IMG. ANY REPRODUCTION IN PART OR AS A WHOLE WITHOUT THE WRITTEN PERMISSION OF SOLVE IMG IS PROHIBITED.					REV
							-

9 8 7 6 5 4 3 2 1