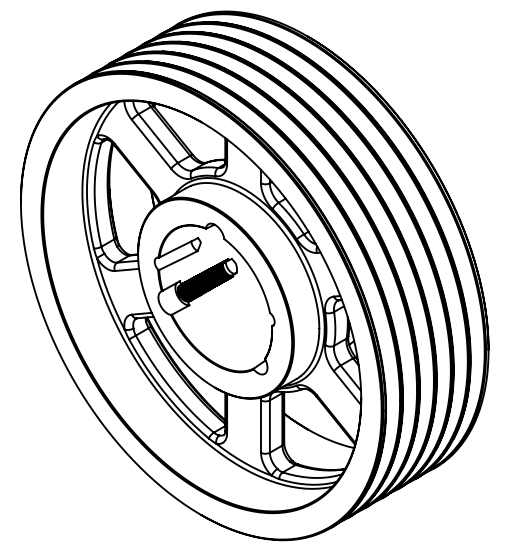
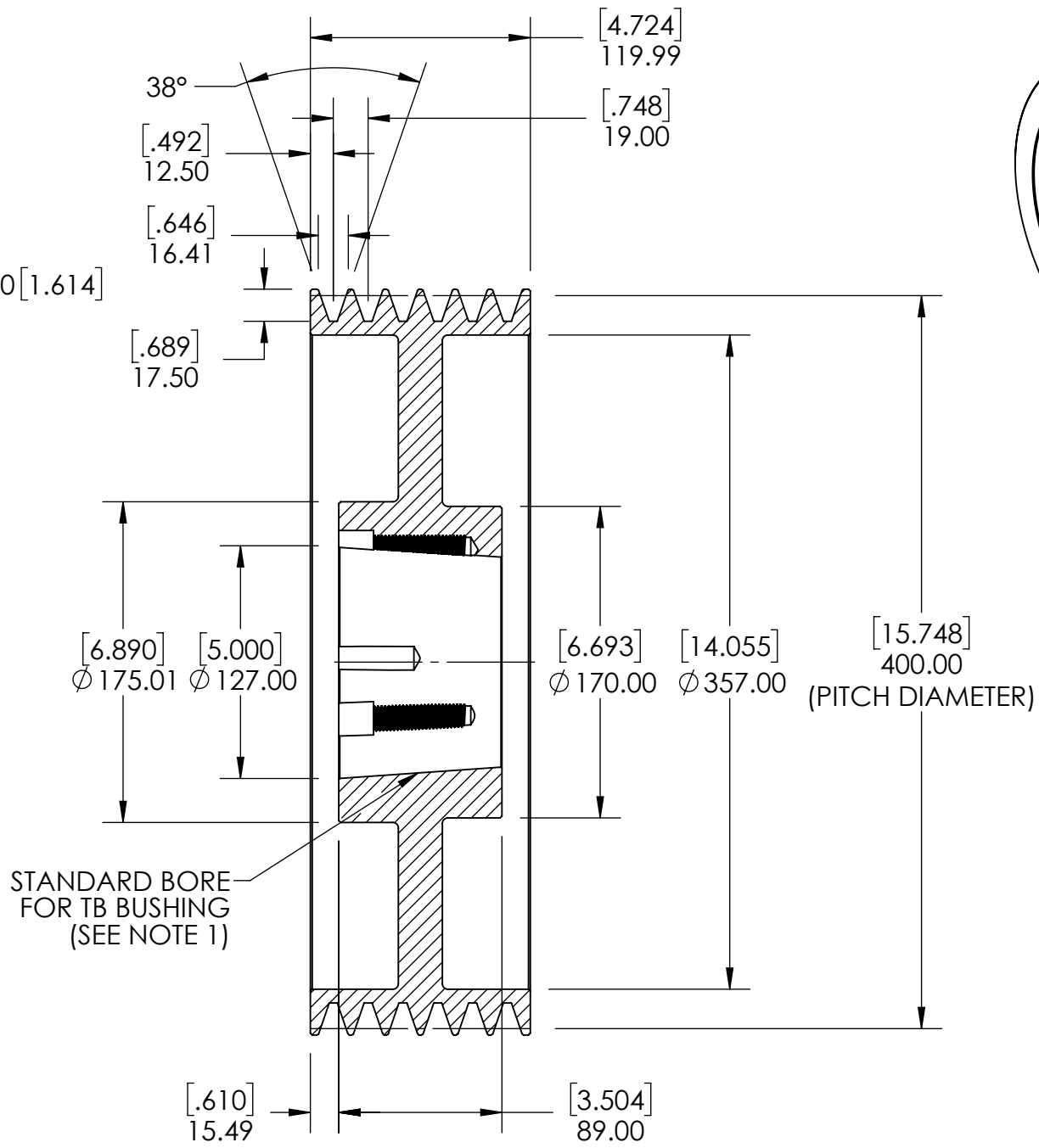
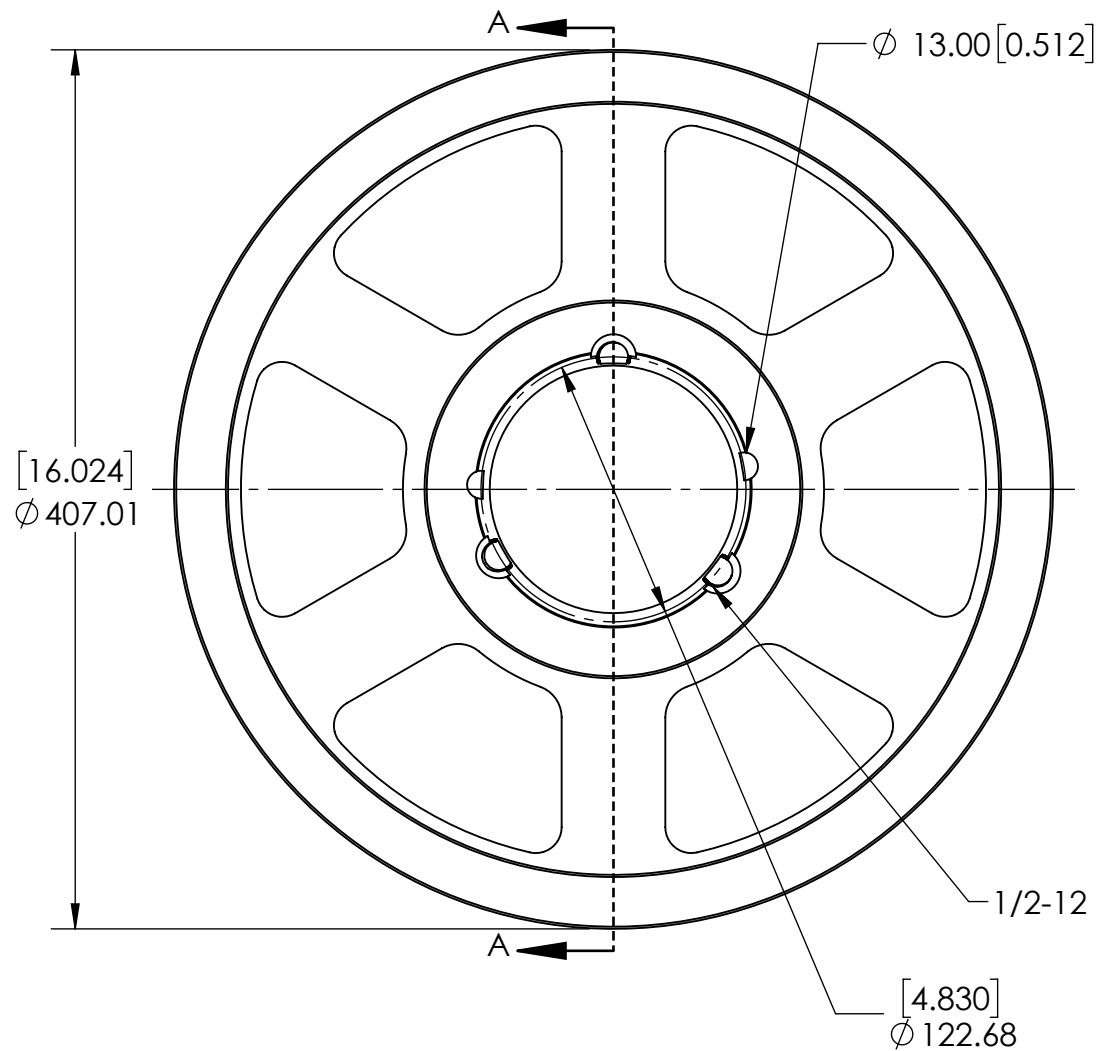


9 8 7 6 5 4 3 2 1

G
F
E
D
C
B
A

G
F
E
D
C
B
A



SECTION A-A

NOTES:
 1. TB BUSHING SIZE: 3535
 2. UNITS: mm [INCHES].

SOLVE INDUSTRIAL MOTION GROUP		WEIGHT	29.68 KG					
		MATERIAL	CAST IRON					
		COATING	GREY PAINT					
		DRAWN	MTC	09/02/2025				
SIZE	PTI	CHECKED						
B		APPROVED			DATE	BY	REVISION DESCRIPTION	REV
DWG. NO.		THIRD ANGLE PROJECTION		ITEM DESCRIPTION:		SPB400X6-3535		SCALE
		PROPRIETARY AND CONFIDENTIAL						1:3.5
		THE INFORMATION CONTAINED IN THIS DRAWING IS THE SOLE PROPERTY OF SOLVE IMG. ANY REPRODUCTION IN PART OR AS A WHOLE WITHOUT THE WRITTEN PERMISSION OF SOLVE IMG IS PROHIBITED.						REV
								-

9 8 7 6 5 4 3 2 1