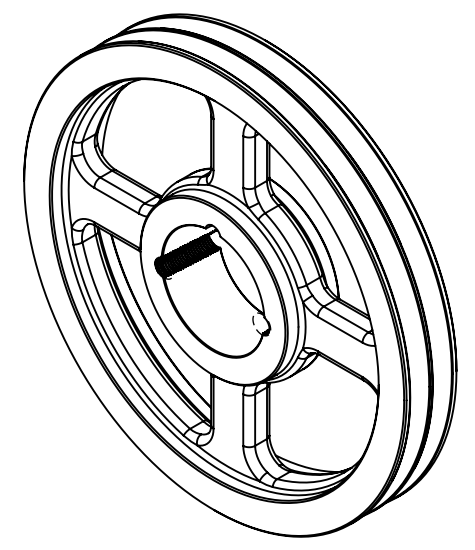
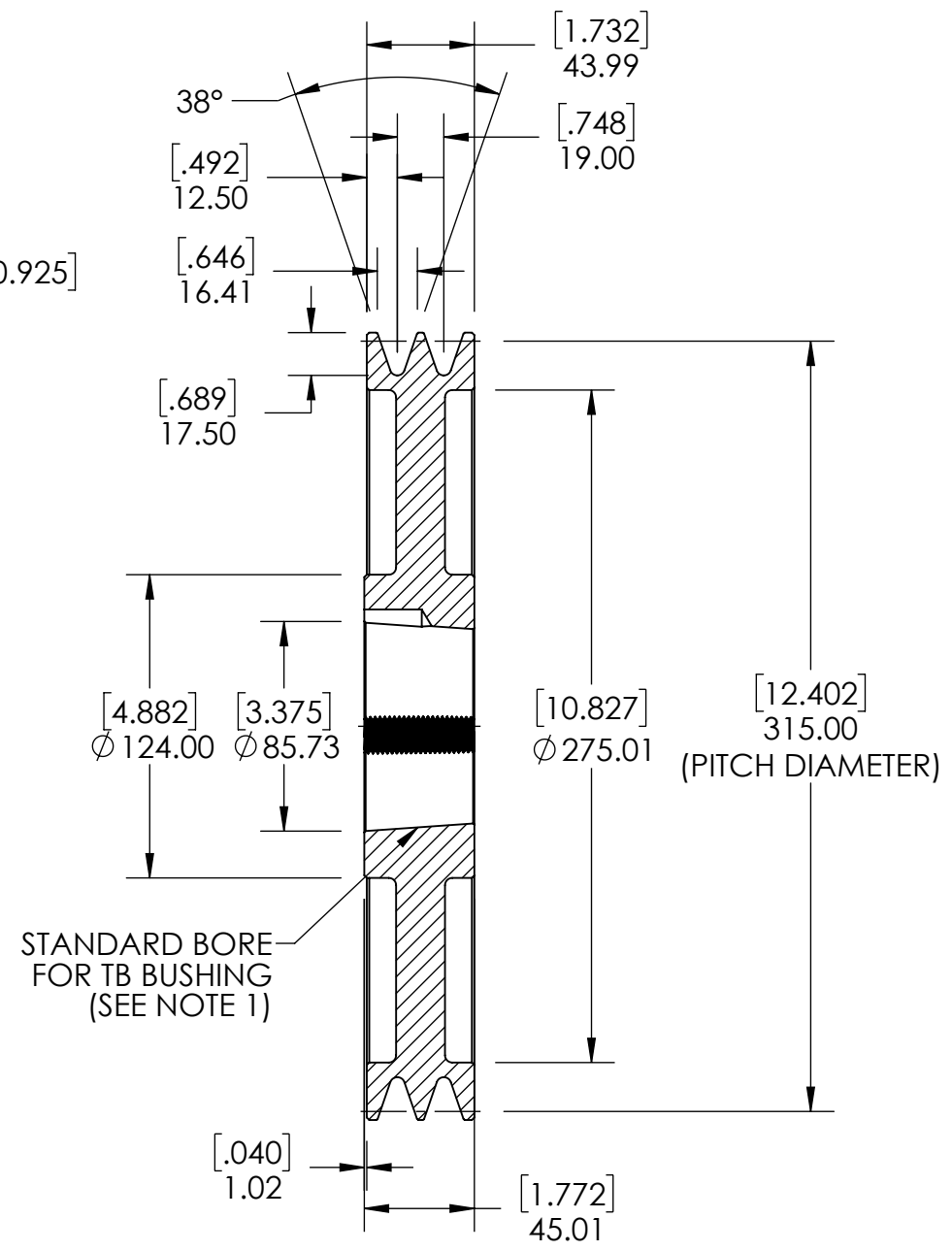
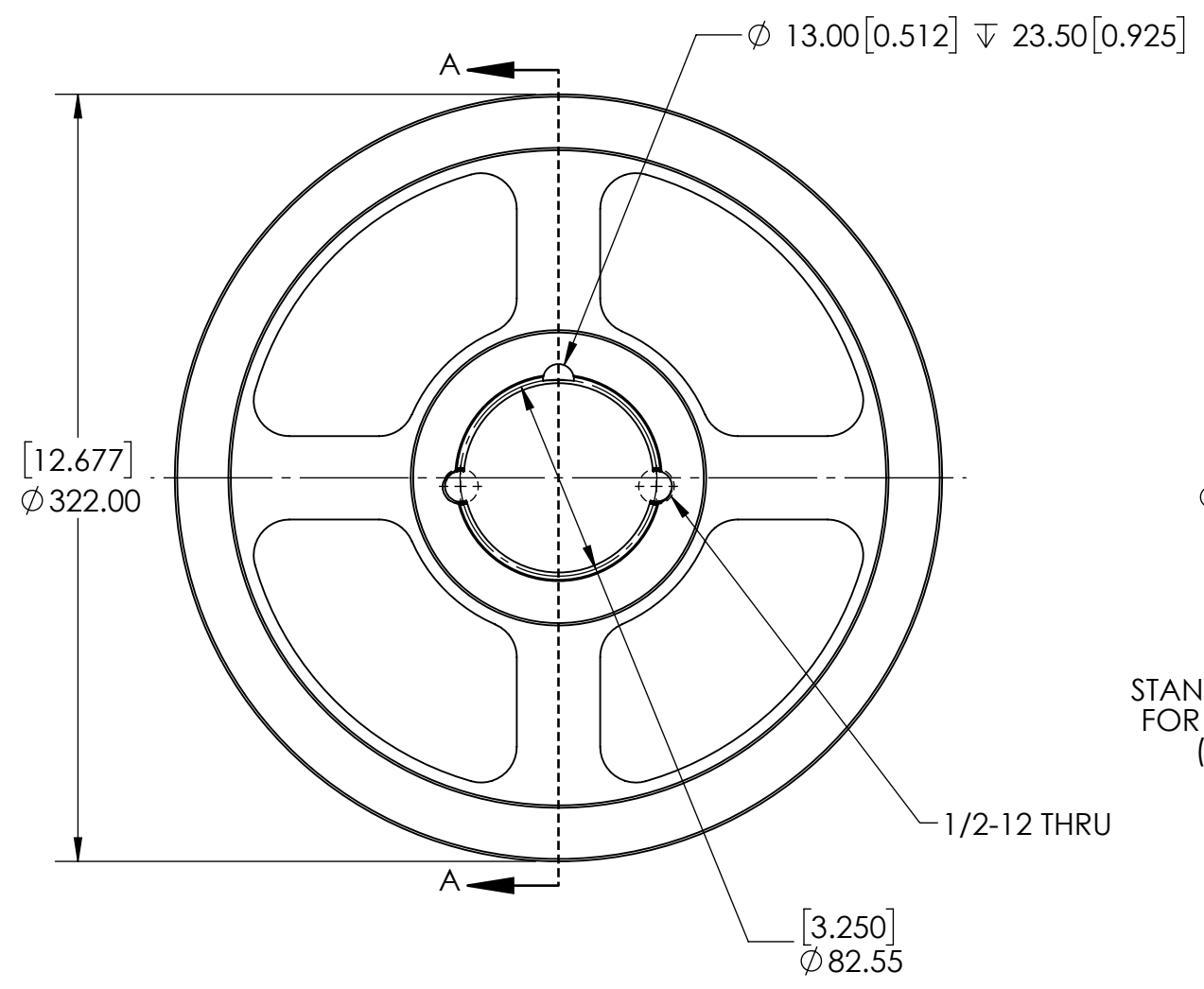


9 8 7 6 5 4 3 2 1

G F E D C B A



NOTES:
 1. TB BUSHING SIZE: 2517
 2. UNITS: mm [INCHES].

SOLVE INDUSTRIAL MOTION GROUP		WEIGHT	8.86 KG				
		MATERIAL	CAST IRON				
		COATING	GREY PAINT				
		DRAWN	MTC	09/02/2025			
		CHECKED	PT	09/03/2025			
		APPROVED			DATE	BY	REVISION DESCRIPTION
SIZE	PTI	THIRD ANGLE PROJECTION		ITEM DESCRIPTION:			REV
DWG. NO.	PROPRIETARY AND CONFIDENTIAL		THE INFORMATION CONTAINED IN THIS DRAWING IS THE SOLE PROPERTY OF SOLVE IMG. ANY REPRODUCTION IN PART OR AS A WHOLE WITHOUT THE WRITTEN PERMISSION OF SOLVE IMG IS PROHIBITED.		SPB315X2-2517		SCALE
							1:3
							REV
							-

9 8 7 6 5 4 3 2 1

A