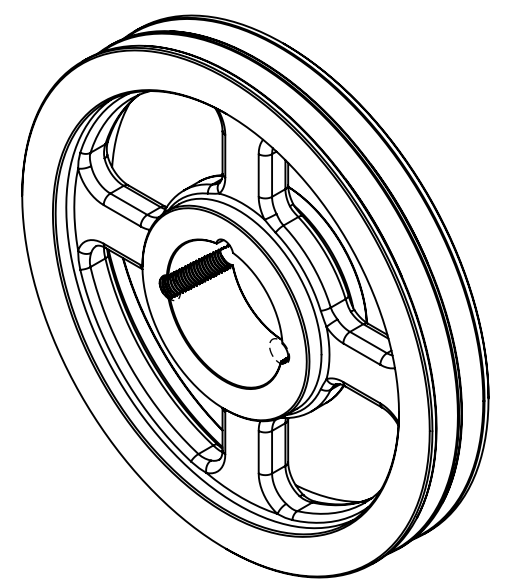
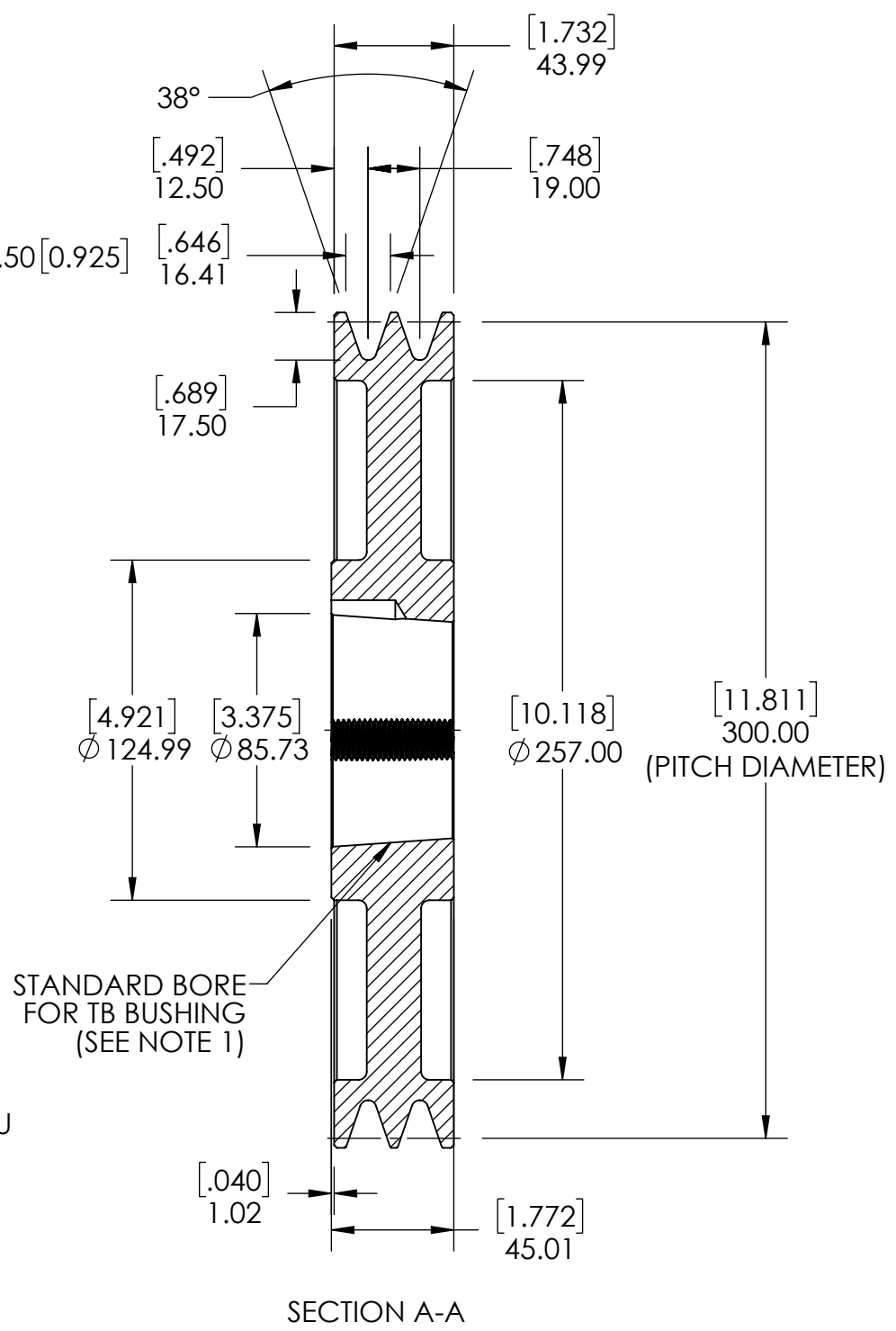
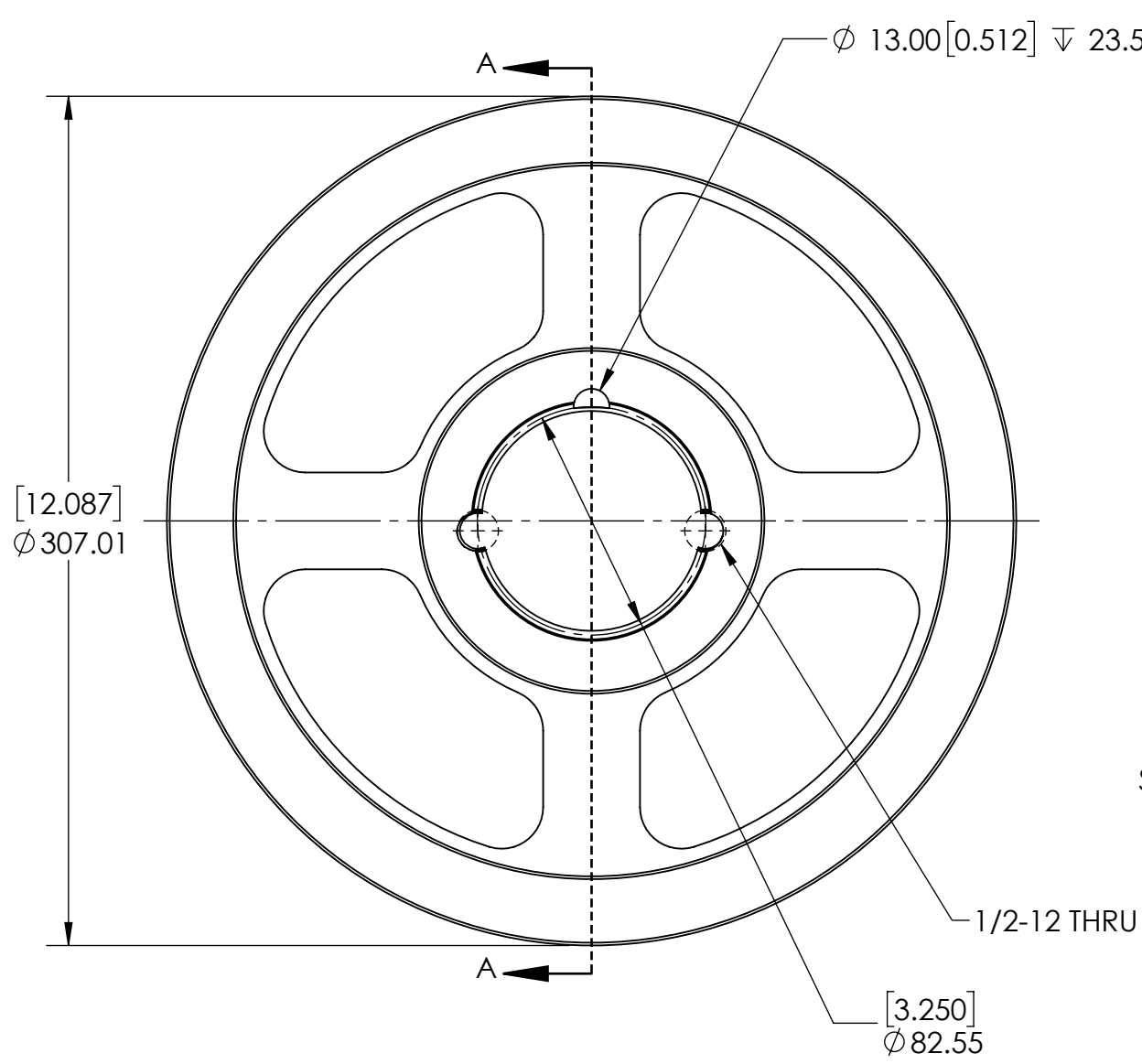


9 8 7 6 5 4 3 2 1

G
F
E
D
C
B
A

G
F
E
D
C
B
A



NOTES:
1. TB BUSHING SIZE: 2517
2. UNITS: mm [INCHES].

SOLVE INDUSTRIAL MOTION GROUP		WEIGHT	8.86 KG					
		MATERIAL	CAST IRON					
		COATING	GREY PAINT					
		DRAWN	MTC	09/02/2025				
		CHECKED	PT	09/03/2025				
		APPROVED			DATE	BY	REVISION DESCRIPTION	REV
SIZE B		PTI						SCALE
DWG. NO.		PROPRIETARY AND CONFIDENTIAL		ITEM DESCRIPTION:		SPB300X2-2517		REV
		THE INFORMATION CONTAINED IN THIS DRAWING IS THE SOLE PROPERTY OF SOLVE IMG. ANY REPRODUCTION IN PART OR AS A WHOLE WITHOUT THE WRITTEN PERMISSION OF SOLVE IMG IS PROHIBITED.						-

9 8 7 6 5 4 3 2 1