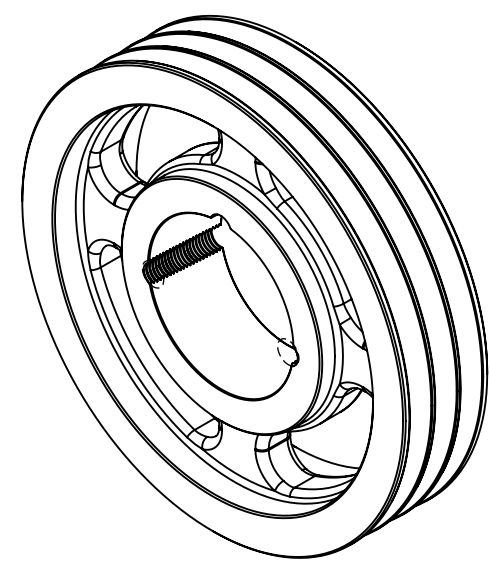
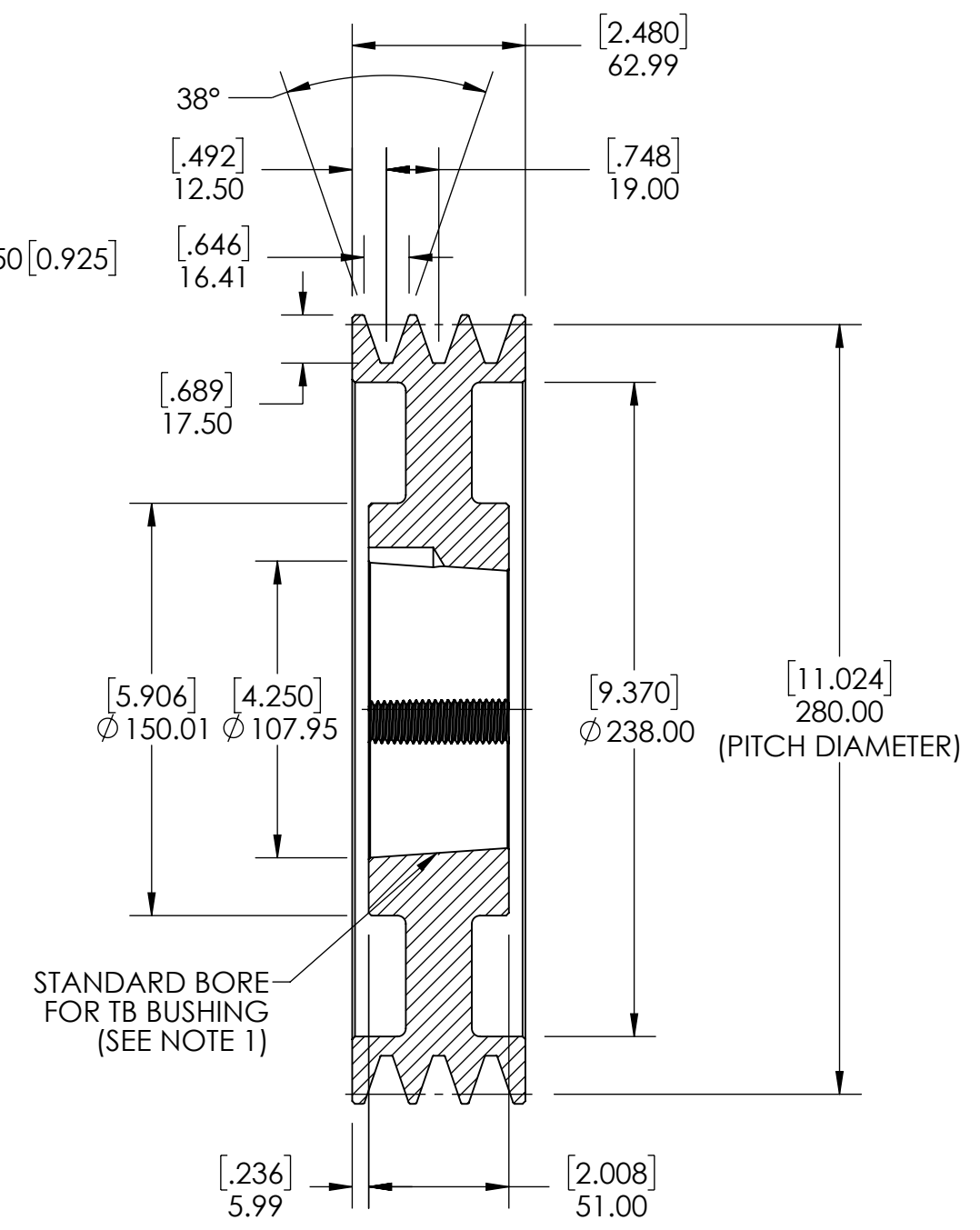
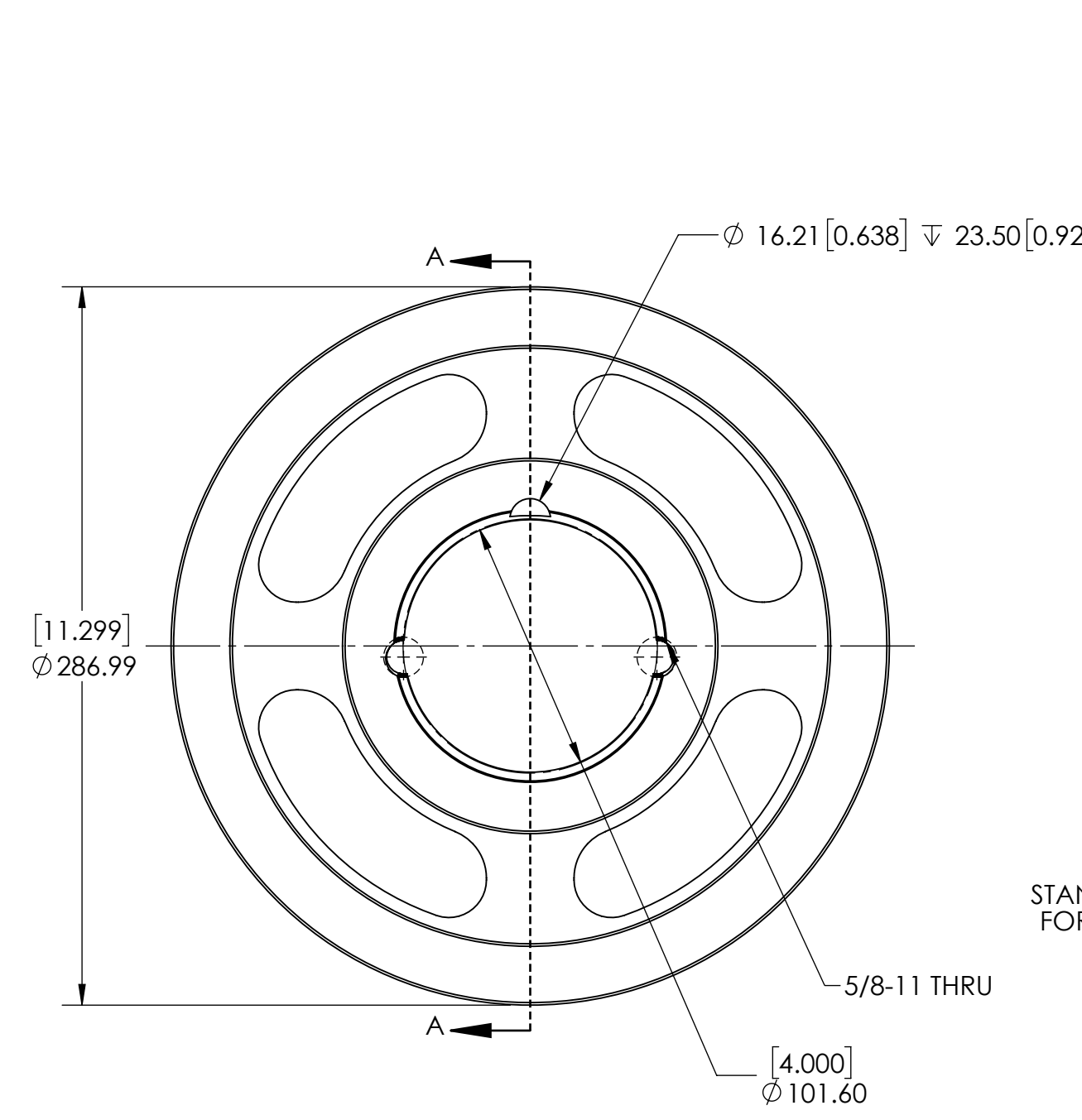


9 8 7 6 5 4 3 2 1

G F E D C B A



SECTION A-A

NOTES:  
 1. TB BUSHING SIZE: 3020  
 2. UNITS: mm [INCHES].

|   |  |  |            |                   |      |               |                      |                            |
|---|--|--|------------|-------------------|------|---------------|----------------------|----------------------------|
| <b>SOLVE</b><br>INDUSTRIAL MOTION GROUP |  | WEIGHT   | 11.09 KG   |                   |      |               |                      |                            |
|   |  | MATERIAL   | CAST IRON  |                   |      |               |                      |                            |
|   |  | COATING  | GREY PAINT |                   |      |               |                      |                            |
|   |  | DRAWN  | MTC        | 09/02/2025        |      |               |                      |                            |
|   |  | CHECKED  | PT         | 09/08/2025        |      |               |                      |                            |
|   |  | APPROVED   |            |                   | DATE | BY            | REVISION DESCRIPTION | REV                        |
| SIZE <b>B</b><br><b>PTI</b><br>DWG. NO. |  | THIRD ANGLE PROJECTION<br>   |            | ITEM DESCRIPTION: |      | SPB280X3-3020 |                      | SCALE<br>1:2.5<br>REV<br>- |
|   |  | PROPRIETARY AND CONFIDENTIAL<br>THE INFORMATION CONTAINED IN THIS DRAWING IS THE SOLE PROPERTY OF SOLVE IMG. ANY REPRODUCTION IN PART OR AS A WHOLE WITHOUT THE WRITTEN PERMISSION OF SOLVE IMG IS PROHIBITED. |            |                   |      |               |                      |                            |

9 8 7 6 5 4 3 2 1

A B C D E F G