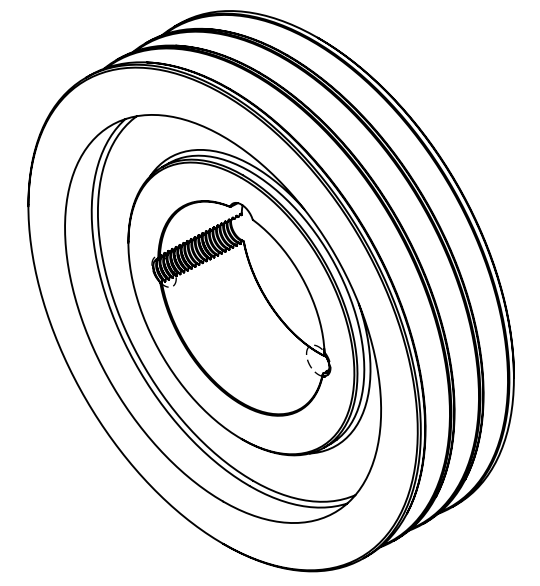
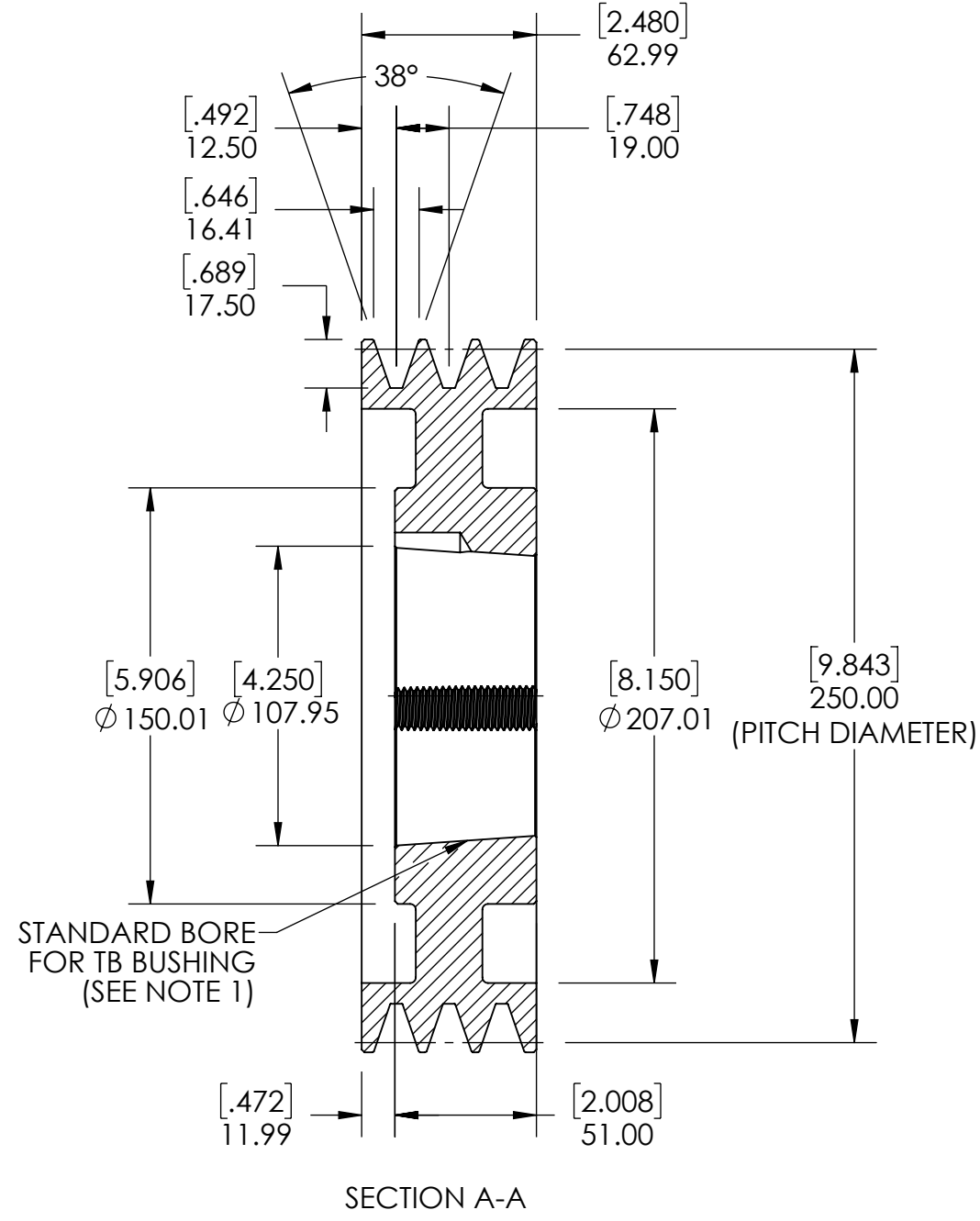
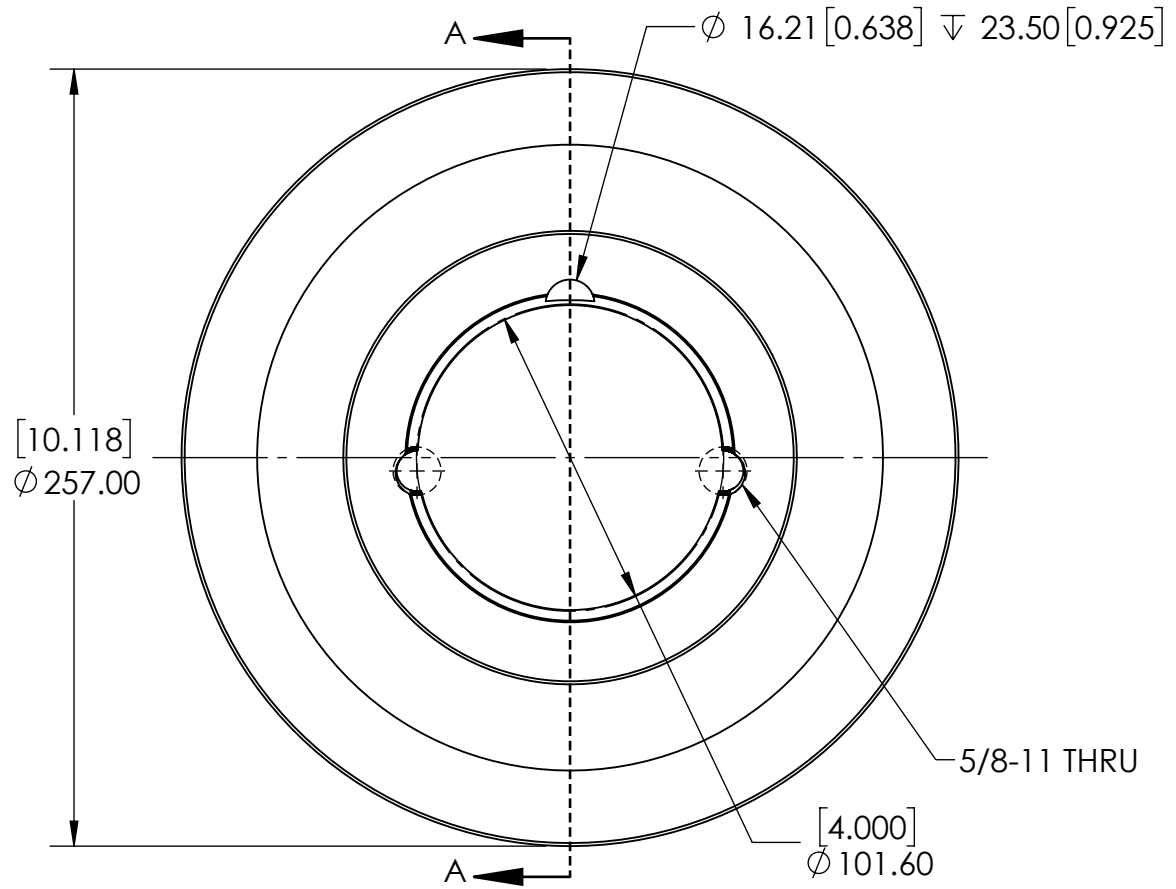


9 8 7 6 5 4 3 2 1

G
F
E
D
C
B
A

G
F
E
D
C
B
A



NOTES:
 1. TB BUSHING SIZE: 3020
 2. UNITS: mm [INCHES].

		WEIGHT	11.32 KG				
		MATERIAL	CAST IRON				
		COATING	GREY PAINT				
		DRAWN	MTC 09/02/2025				
DWG. NO.		CHECKED	PT 09/08/2025				
		APPROVED					
PROPRIETARY AND CONFIDENTIAL <small>THE INFORMATION CONTAINED IN THIS DRAWING IS THE SOLE PROPERTY OF SOLVE IMG. ANY REPRODUCTION IN PART OR AS A WHOLE WITHOUT THE WRITTEN PERMISSION OF SOLVE IMG IS PROHIBITED.</small>				DATE	BY	REVISION DESCRIPTION	REV
		ITEM DESCRIPTION:				SPB250X3-3020	
						REV	-

9 8 7 6 5 4 3 2 1