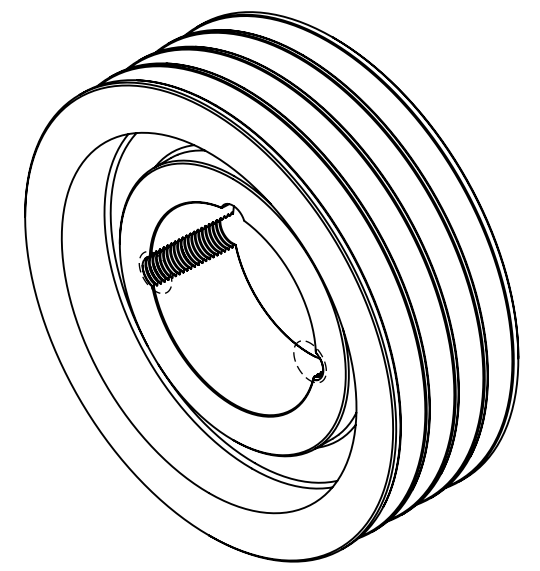
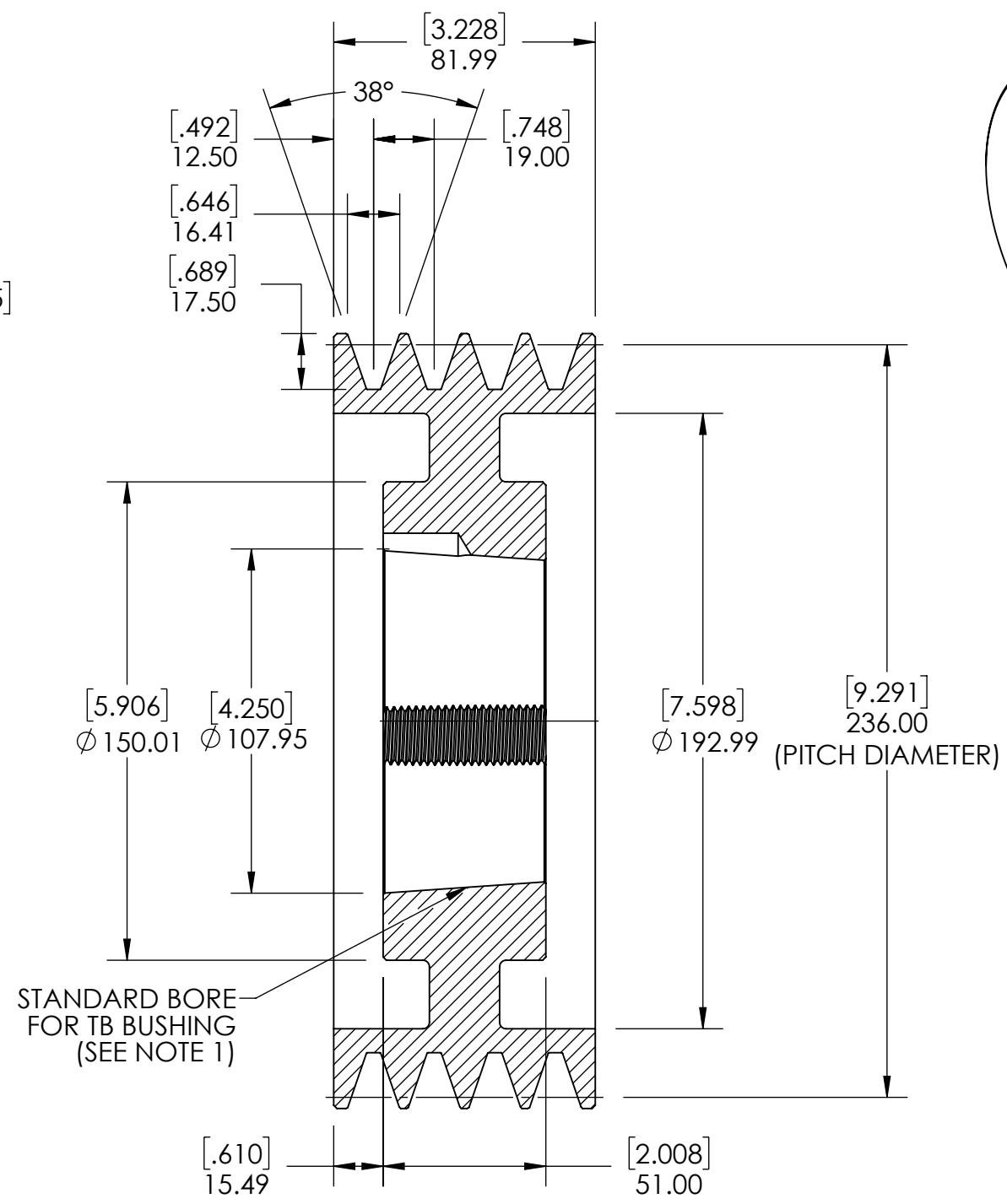
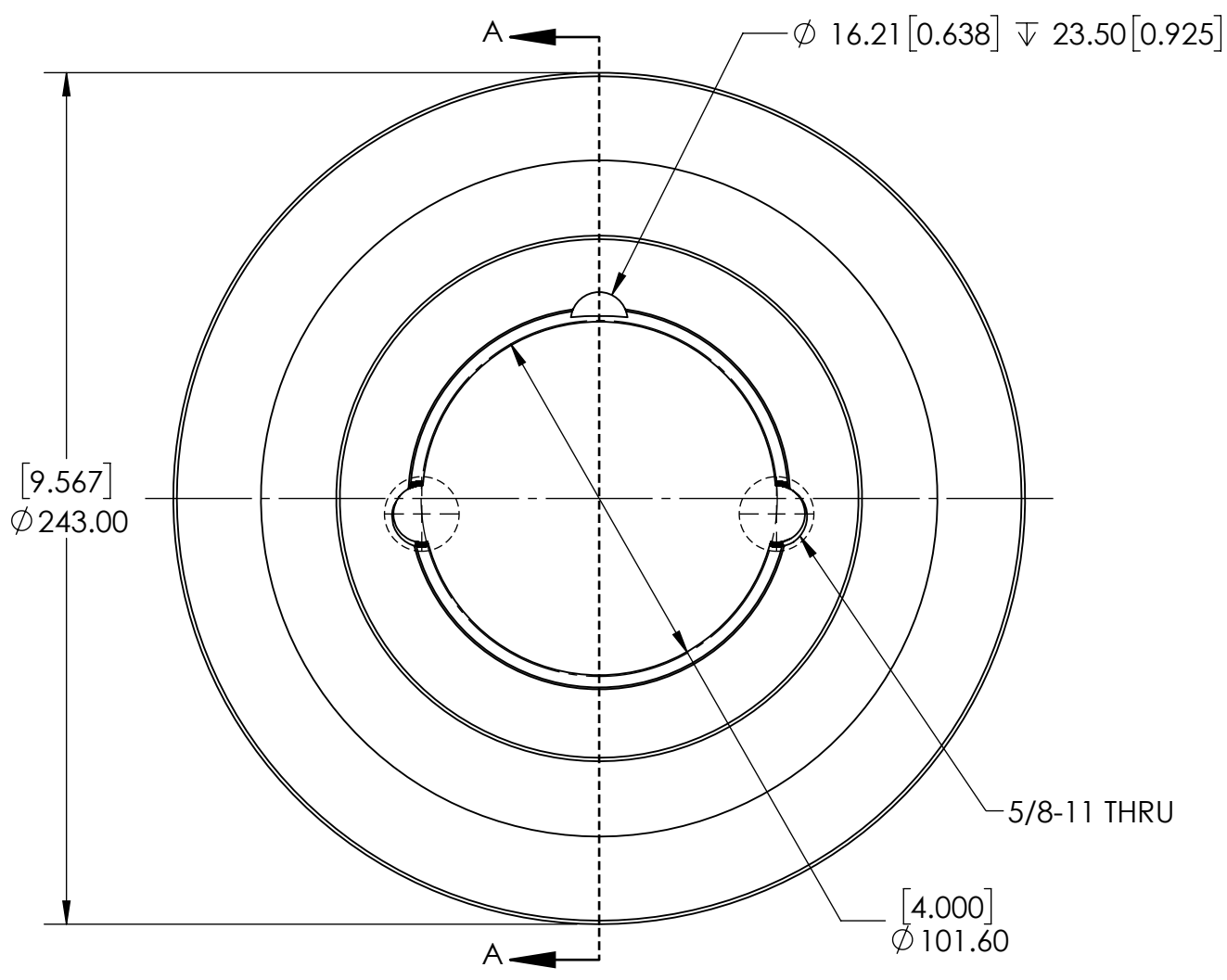


9 8 7 6 5 4 3 2 1

G  
F  
E  
D  
C  
B  
A

G  
F  
E  
D  
C  
B  
A



SECTION A-A

NOTES:  
 1. TB BUSHING SIZE: 3020  
 2. UNITS: mm [INCHES].

|   |            |  |            |                   |      |    |                      |
|---|------------|--|------------|-------------------|------|----|----------------------|
| <b>SOLVE</b><br>INDUSTRIAL MOTION GROUP |            | WEIGHT   | 11.44 KG   |                   |      |    |                      |
|   |            | MATERIAL   | CAST IRON  |                   |      |    |                      |
|   |            | COATING  | GREY PAINT |                   |      |    |                      |
|   |            | DRAWN  | MTC        | 09/02/2025        |      |    |                      |
|   |            | CHECKED  | PT         | 09/08/2025        |      |    |                      |
|   |            | APPROVED   |            |                   | DATE | BY | REVISION DESCRIPTION |
| SIZE                                    | <b>PTI</b> | THIRD ANGLE PROJECTION   |            | ITEM DESCRIPTION: |      |    | REV                  |
| DWG. NO.                                |            | PROPRIETARY AND CONFIDENTIAL   |            | SPB236X4-3020     |      |    | SCALE                |
|   |            | THE INFORMATION CONTAINED IN THIS DRAWING IS THE SOLE PROPERTY OF SOLVE IMG. ANY REPRODUCTION IN PART OR AS A WHOLE WITHOUT THE WRITTEN PERMISSION OF SOLVE IMG IS PROHIBITED. |            |                   |      |    | 1:2                  |
|   |            |  |            |                   |      |    | REV                  |
|   |            |  |            |                   |      |    | -                    |

9 8 7 6 5 4 3 2 1