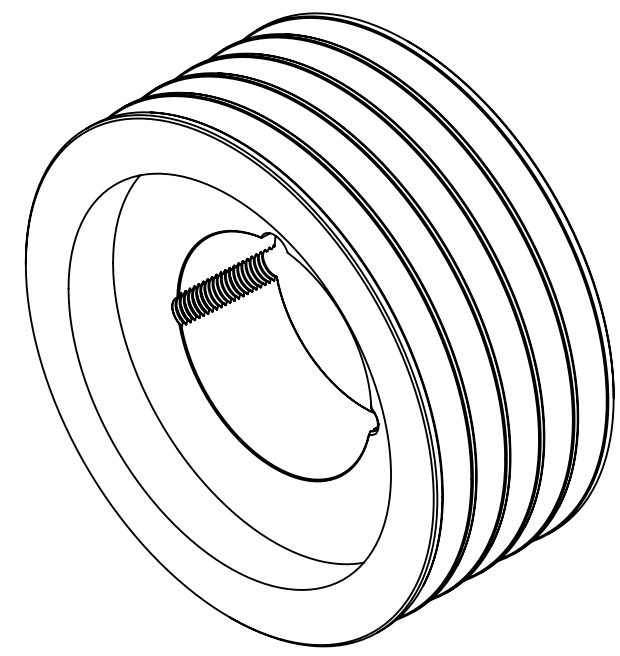
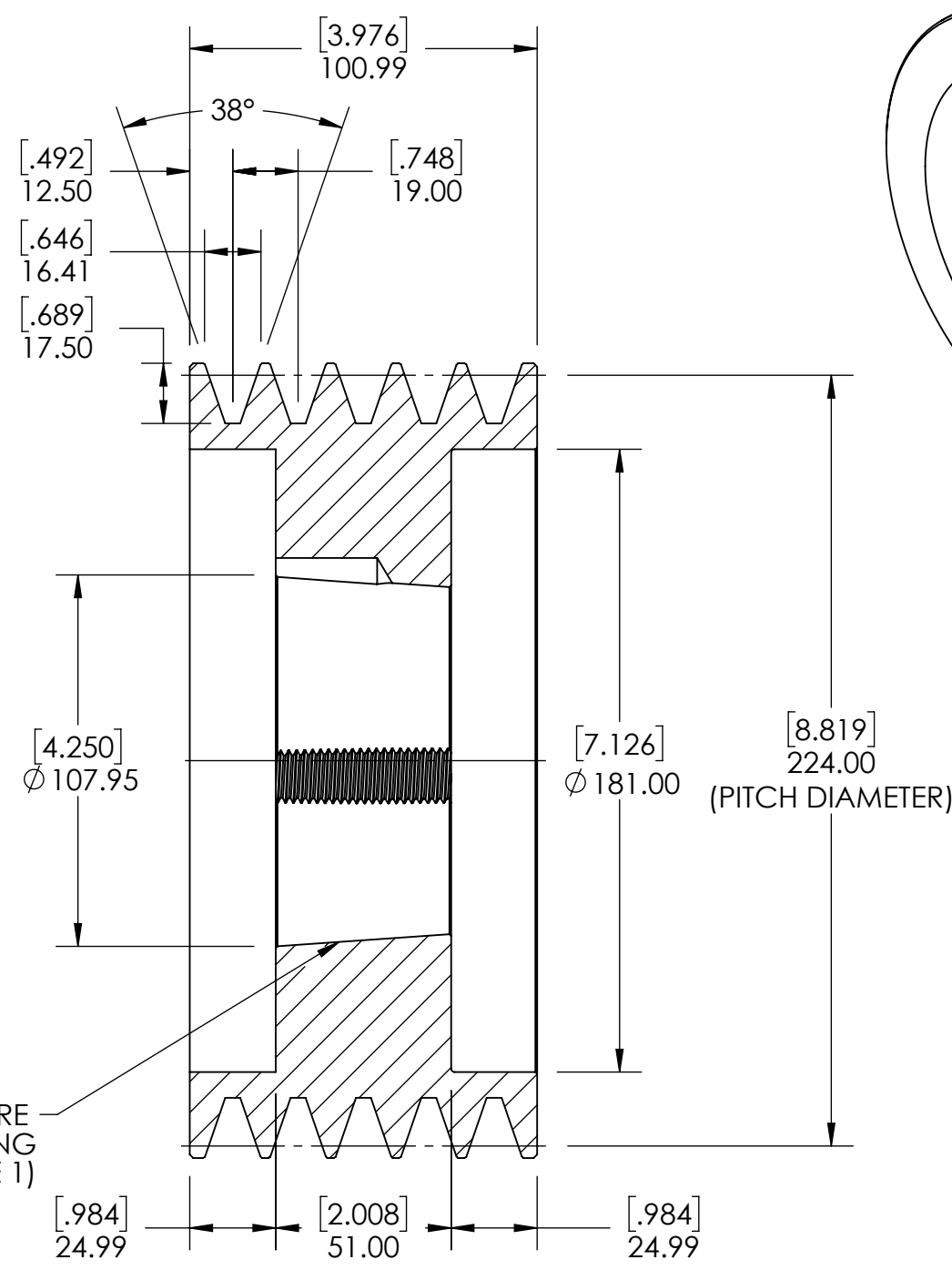
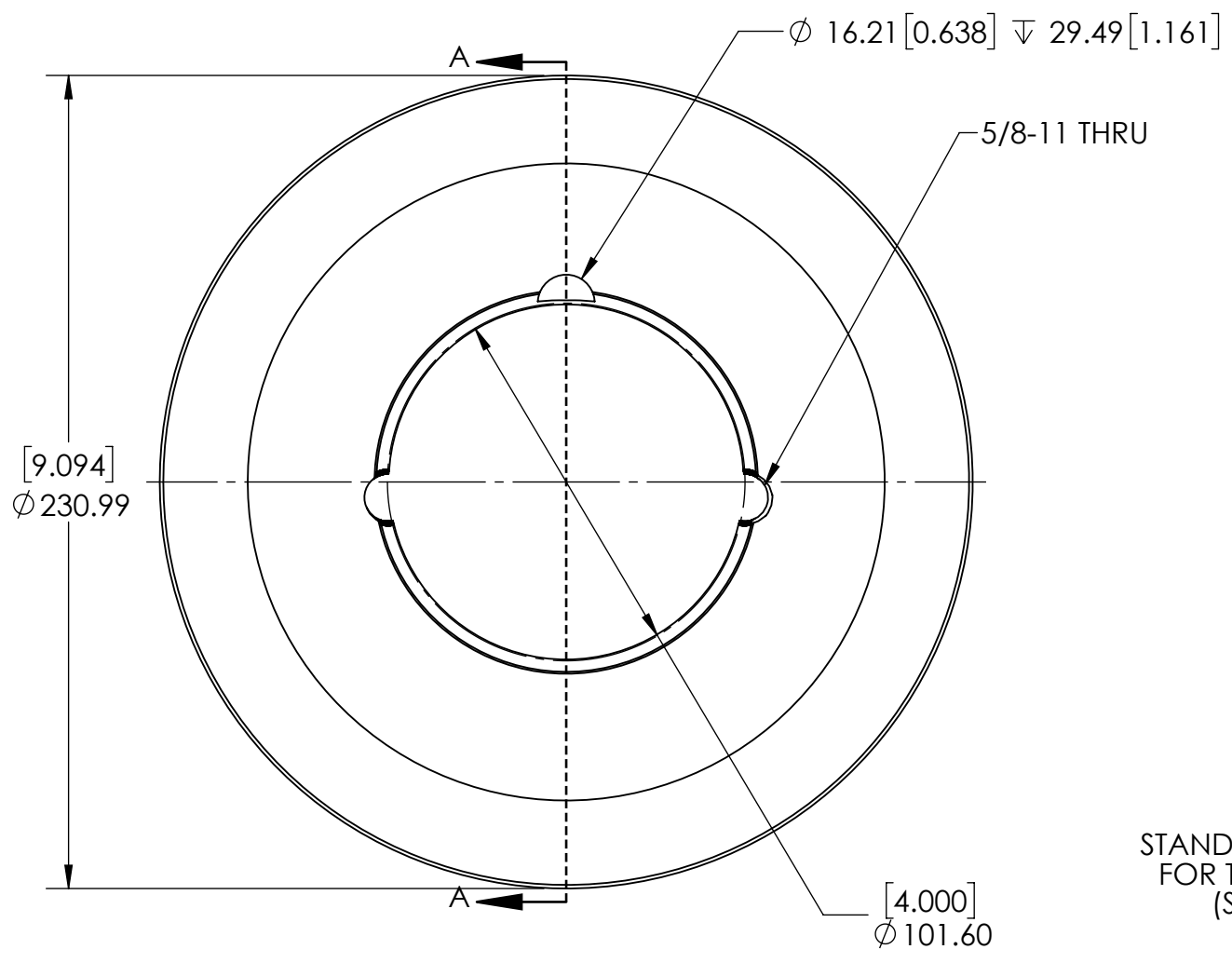


9 8 7 6 5 4 3 2 1

G  
F  
E  
D  
C  
B  
A

G  
F  
E  
D  
C  
B  
A



NOTES:  
 1. TB BUSHING SIZE: 3020  
 2. UNITS: mm[INCHES].

<b>SOLVE</b> INDUSTRIAL MOTION GROUP		WEIGHT	13.54 KG			
		MATERIAL	CAST IRON			
		COATING	GREY PAINT			
		DRAWN	MTC 09/02/2025			
		CHECKED	PT 09/08/2025			
		APPROVED		DATE	BY	REVISION DESCRIPTION
SIZE	<b>PTI</b>	THIRD ANGLE PROJECTION		ITEM DESCRIPTION:		
DWG. NO.		PROPRIETARY AND CONFIDENTIAL		SPB224X5-3020		
		THE INFORMATION CONTAINED IN THIS DRAWING IS THE SOLE PROPERTY OF SOLVE IMG. ANY REPRODUCTION IN PART OR AS A WHOLE WITHOUT THE WRITTEN PERMISSION OF SOLVE IMG IS PROHIBITED.		SCALE	REV	
				1:2	-	

9 8 7 6 5 4 3 2 1